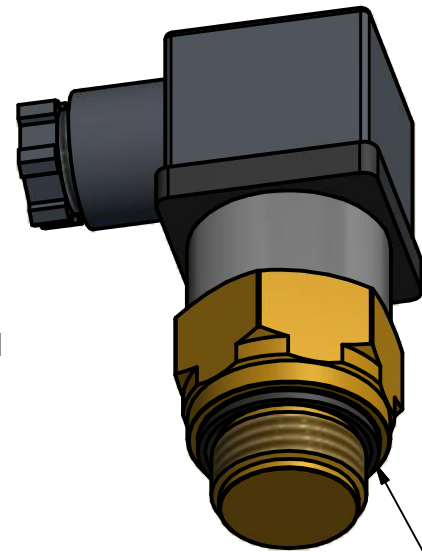


# Bimetallic Thermostat TM4 Series



NBR Seal  
DIN 3869

## Description

The TM4 thermostat allows the switching of an electrical contact when a fixed temperature value is reached.

## Technical Features

Hexagonal body: 27mm hexagon in brass  
 Hydraulic connection: M22 x 1.5  
 Fixed intervention value: On request from 40°C to 120°C  
 Maximum pressure: 200 bar  
 Contacts: N.O. (Normally Open) or N.C. (Normally Closed)

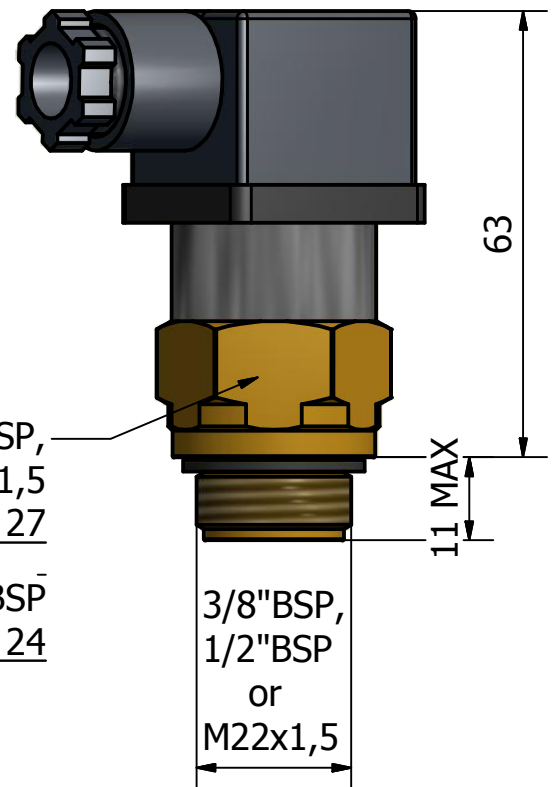
Seal: NBR  
 Switching frequency: 20 cycles / min  
 Operating temperature: -20 ÷ 120 °C  
 Intervention accuracy: ± 3.5 °C  
 Hysteresis fixed value: ~ 12 °C of the set value

Load on contacts:  
 220 VAC / 10 A  
 125 VAC / 15A


24 VDC / 5 A  
 12 VDC / 10 A

Electric connection: DIN 43650  
 Electrical protection DIN40050: IP65

Model: **TM4**



Updated to Nov-2017

	Date	Name:	DESCRIPTION:	SCALE:
DRAWN:	15/11/2017	M.Gr.	Thermostat TM4 - Series	1:1
CHECKED:				
APPROVED:				
Projection:ISO128	FOX S.r.l.		DRAWING No/FILE NAME	SHEET
	Via Romagna 6 20090 Opera (MI) ITALY		TM4_DS	1 of 1