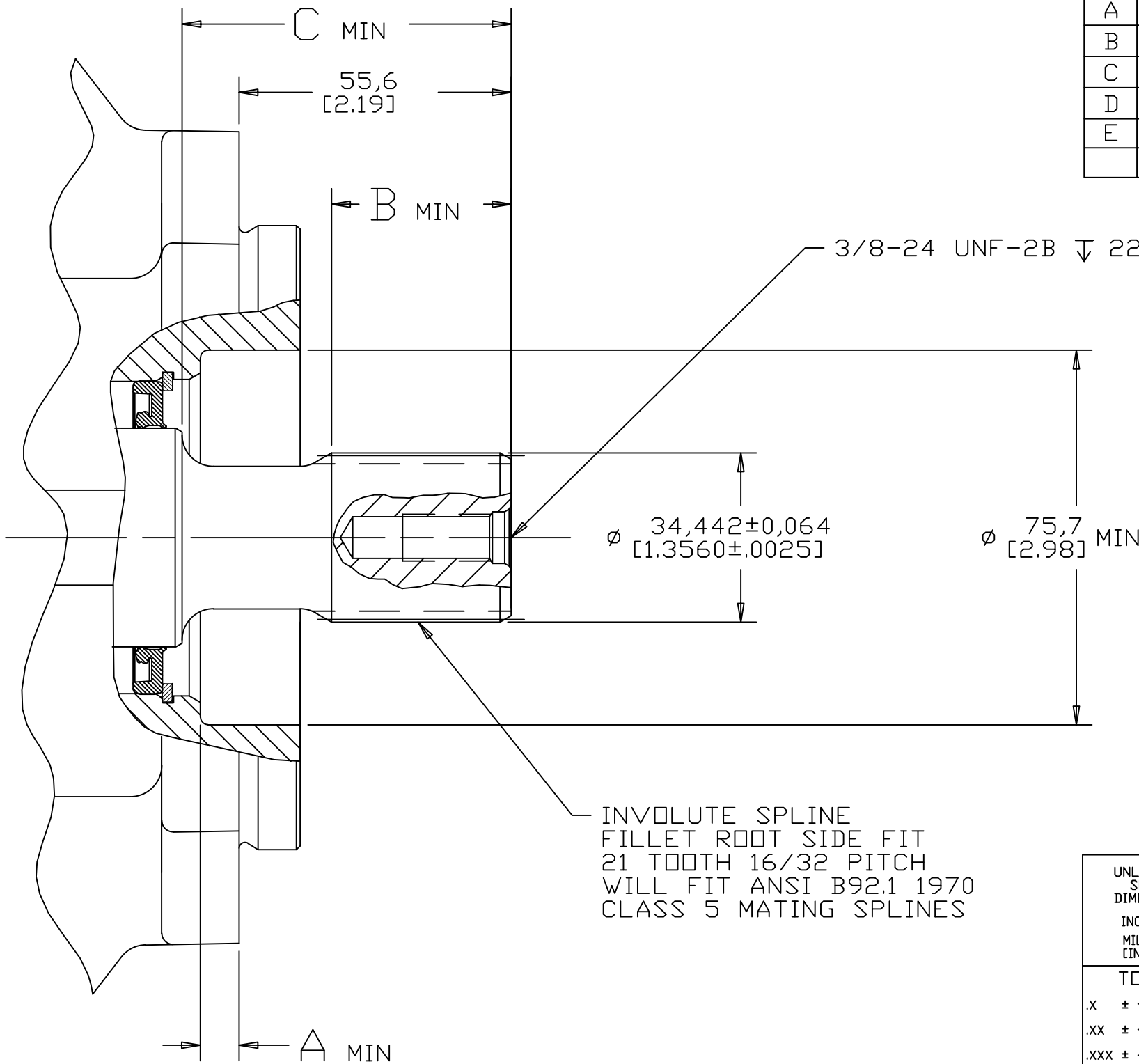


REV	DESCRIPTION	BY	CHK	DATE	ECN
A	ENGINEERING RELEASE	MLL	JGS	3-17-99	32506
B	REVISED	EMR	JED	7-14-99	33048
C	ADDED DIM 'B' & 'C'	MJ	RLL	6-2-08	M73207
D	UPDATED SHAFTS SEALS	VSM	VVK	02-27-17	M103549
E	ADDED UNF TAPPED DRILL	JMB	ANM	4-10-19	0108542

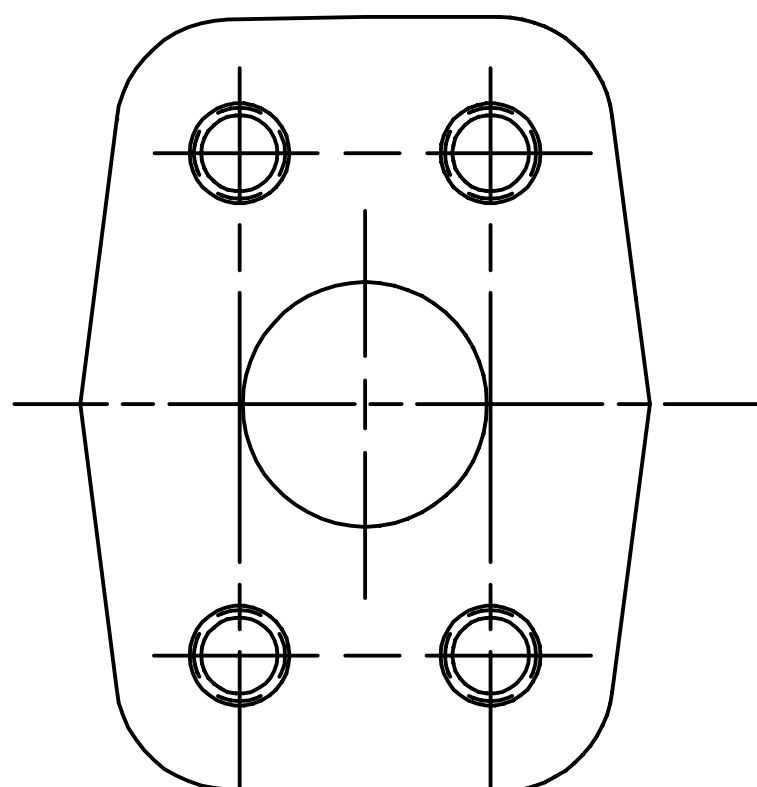


A MIN	B MIN	C MIN	UNIT SIZE
7,4 [0.29]	36,6 [1.44]	67,0 [2.64]	33-39-46
3,3 [0.13]	34,5 [1.36]	62,7 [2.47]	54-64

UNLESS OTHERWISE SPECIFIED ALL DIMENSIONS ARE IN INCHES <input type="checkbox"/> MILLIMETERS [INCHES] <input checked="" type="checkbox"/>	DRAWING BASED ON ANSI Y14.5M-1982	
	NOTICE TO PERSONS RECEIVING THIS DRAWING AND / OR TECHNICAL INFORMATION Eaton Corporation claims proprietary rights in the information disclosed hereon. This document is issued in confidence and is not to be reproduced or used to manufacture anything shown hereon without the written permission of the Eaton Corporation.	
TOLERANCES .X $\pm$ ---- .XX $\pm$ ---- .XXX $\pm$ ---- $\angle$ $\pm$ ----	DRAWN BY/DATE MLL 2-16-99	MATERIAL/HEAT TREAT
	CHECKED BY/DATE JGS 4-14-99	
UNSPECIFIED RADII ARE ----	ENGRG BY/DATE GRK 4-15-99	TITLE 21T SHAFT INSTALLATION
UNSPECIFIED DRAFT ANGLES ARE ----	METALLURGY BY/DATE	MICROINCHES <input type="checkbox"/> MICROMETERS <input type="checkbox"/> ARITHMETICAL AVERAGE <input checked="" type="checkbox"/>
DRAWING FORMAT CADD <input checked="" type="checkbox"/> MANUAL <input type="checkbox"/>	THIRD ANGLE PROJECTION	NUMBER A-1362-001
	DO NOT SCALE	SCALE 1/1 SHEET 1 OF 1




REV	DESCRIPTION	BY	CHK	DATE	ECN
A	ENGINEERING RELEASE	MLL	JGS	3-17-99	32506



1.00 SAE 4-BOLT SPLIT FLANGE PORT  
STANDARD PRESSURE SERIES (CODE 61)

T

UNLESS OTHERWISE SPECIFIED ALL DIMENSIONS ARE IN INCHES <input type="checkbox"/> MILLIMETERS [INCHES] <input checked="" type="checkbox"/>	DRAWING BASED ON ANSI Y14.5M-1982	
	NOTICE TO PERSONS RECEIVING THIS DRAWING AND / OR TECHNICAL INFORMATION Eaton Corporation claims proprietary rights in the information disclosed hereon. This document is issued in confidence and is not to be reproduced or used to manufacture anything shown hereon without the written permission of the Eaton Corporation.	
TOLERANCES .X ±--- .XX ±--- .XXX ±--- < ±---	DRAWN BY/DATE MLL 2-19-99 CHECKED BY/DATE JGS 4-14-99 ENGRG BY/DATE GRK 4-15-99 METALLURGY BY/DATE ---	MATERIAL/HEAT TREAT  TITLE STANDARD PRESSURE PORT INSTALLATION
UNSPECIFIED RADII ARE ---	MICROINCHES <input type="checkbox"/> MICROMETERS [MICROINCHES] <input type="checkbox"/> ARITHMETICAL AVERAGE <input checked="" type="checkbox"/>	NUMBER A-1363-001
UNSPECIFIED DRAFT ANGLES ARE ---	 THIRD ANGLE PROJECTION	SCALE 1/1 SHEET 1 OF 1
DRAWING FORMAT CADD <input checked="" type="checkbox"/> MANUAL <input type="checkbox"/>	DO NOT SCALE	

