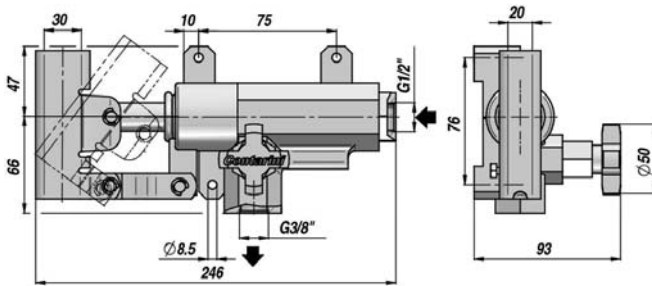
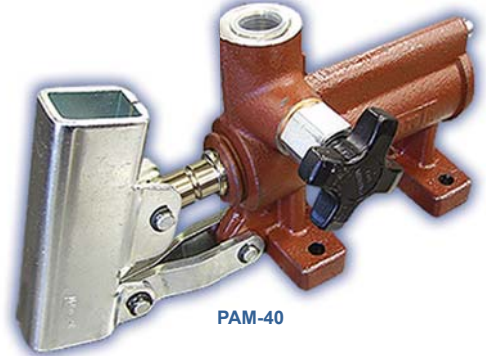
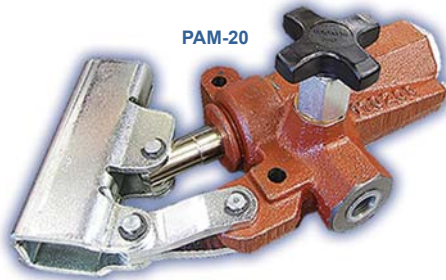
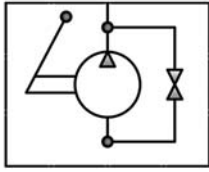


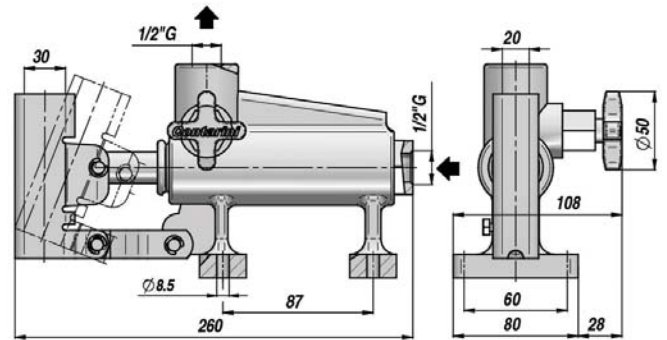
PAM HAND PUMPS

ORDER CODE	TYPE	CAPACITY (c.c)	MAXIMUM PRESSURE (bar)
PAM0142000	PAM-20	20	350
PAM0144000	PAM-40	40	280

CAPACITY: 20 - 40CM³ PER CYCLE
 SEPARATE RESERVOIR REQUIRED
 NOT SUITABLE FOR USE WITH STANDARD TANK MOUNTING
 VITON SEALS AVAILABLE ON REQUEST



PAM-20



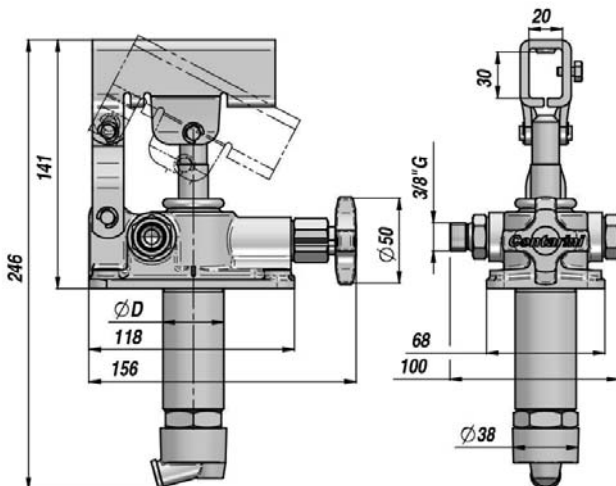
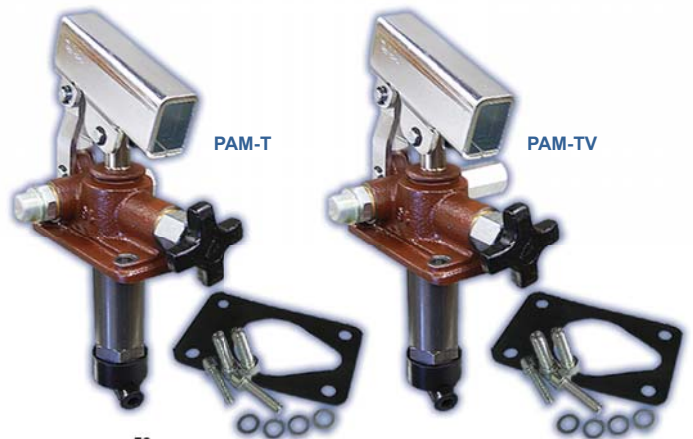
PAM-40

PAM-T & PAM-TV HAND PUMPS

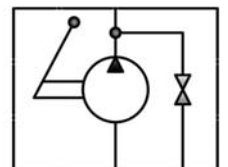
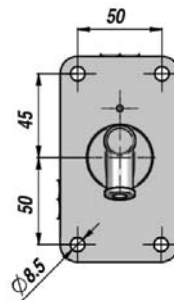
ORDER CODE	TYPE	CAPACITY (c.c)	D Ø(mm)	MAXIMUM PRESSURE (bar)
PAM0141200	PAM-T12	12	30	380
PAM0142500	PAM-T25	25	35	350
PAM0144500	PAM-T45	45	40	280

CAPACITY: 12, 25 & 45CM³ PER CYCLE
 SUITABLE FOR TANK MOUNTING
 COMPLETE WITH GASKET AND FIXINGS
 FOR SINGLE ACTING CYLINDERS
 PAM-TV TYPE INCLUDES RELIEF VALVE
 VITON SEALS AVAILABLE ON REQUEST

PAM0141201	PAM-TV12	12	30	380
PAM0142501	PAM-TV25	25	35	350
PAM0144501	PAM-TV45	45	40	280



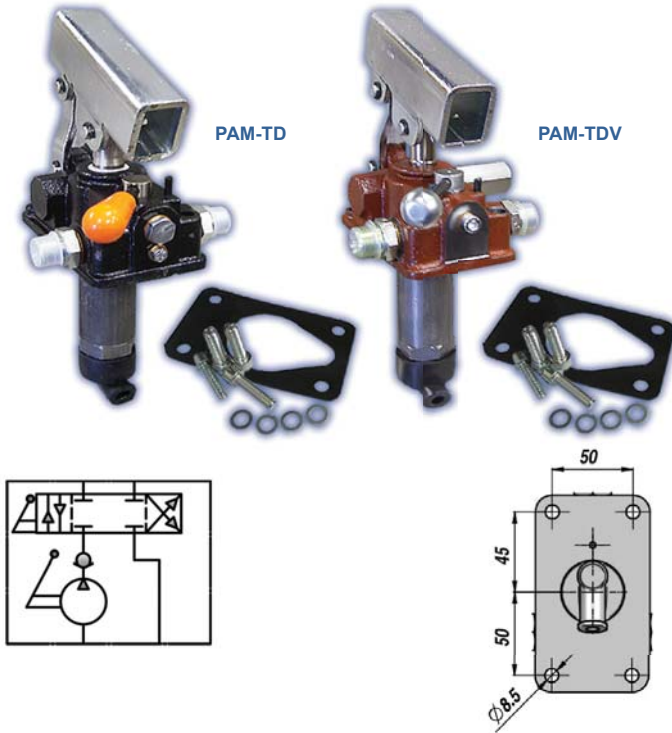
PAM-T / TV



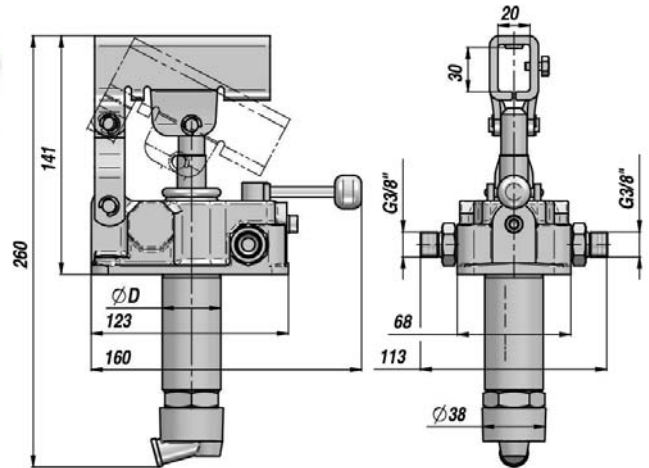
PAM-TD & PAM-TDV HAND PUMPS

CAPACITY: 12, 25 & 45CM³ PER CYCLE
 SUITABLE FOR TANK MOUNTING
 COMPLETE WITH GASKET AND FIXINGS
 FOR DOUBLE ACTING CYLINDERS
 PAM-TDV TYPE INCLUDES RELIEF VALVE
 VITON SEALS AVAILABLE ON REQUEST

ORDER CODE	TYPE	CAPACITY (c.c)	D Ø(mm)	MAXIMUM PRESSURE (bar)
PAM0151200	PAM-TD12	12	30	380
PAM0152500	PAM-TD25	25	35	350
PAM0154500	PAM-TD45	45	40	280

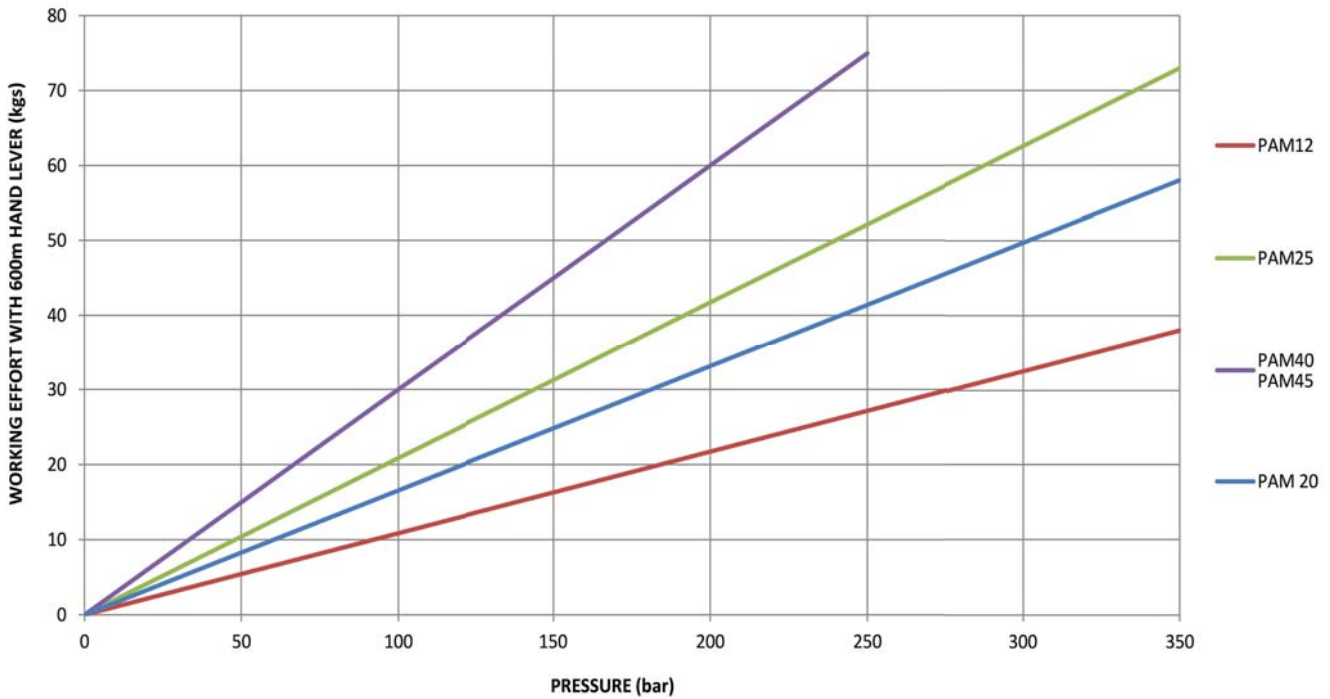


PAM0151202	PAM-TDV12	12	30	380
PAM0152502	PAM-TDV25	25	35	350
PAM0154502	PAM-TDV45	45	40	280



PAM-TD / TDV

HAND PUMP FORCE CHART



HYDRAULIC MOTORS...

GO TO PAGES - 56 ▶ 57

STANDARD RAMS...

GO TO PAGES - 05 ▶ 35

HYDRAULIC HOSES...
(MADE TO ORDER)

GO TO PAGE - 104

CONTROL VALVES...

GO TO PAGES - 46 ▶ 53