

Italgroup[®]

HYDRAULIC MOTORS

ITALY



IAM

Single displacement hydraulic motors

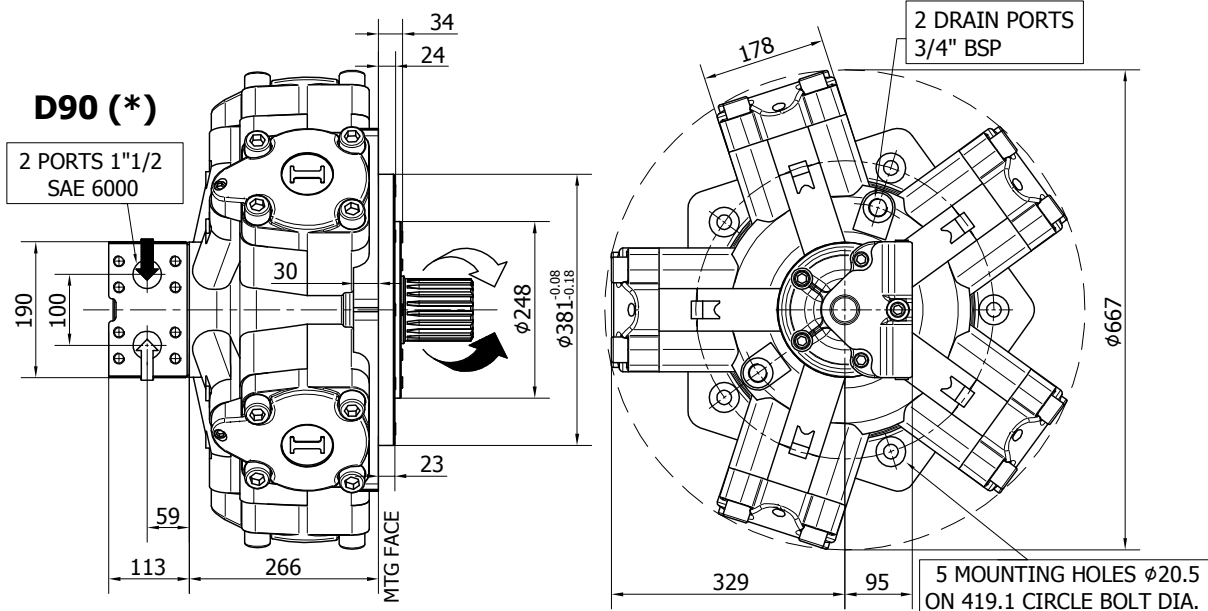
ITALGROUP SRL
IAM SERIES - IAM H6
GENERAL CATALOGUE

INDEX - IAM H6

<u>IAM H6 - INSTALLATION DRAWING</u>	Pag	150 - 151
<u>IAM H6/C - INSTALLATION DRAWING</u>	"	152 - 153
<u>IAM 2200/B125 - 2500/B150 - 3000/B200 H6 - IN- STALLATION DRAWING</u>	"	154 - 155
<u>IAM H6 - PERFORMANCE DRAWINGS</u>	"	156 - 159
<u>IAM H6 - INSTALLATION DRAWING</u>	"	160

INSTALLATION DRAWING

Available distributor flange: **FL7**
for S04, refer to page 187 (distributor fitting D90)



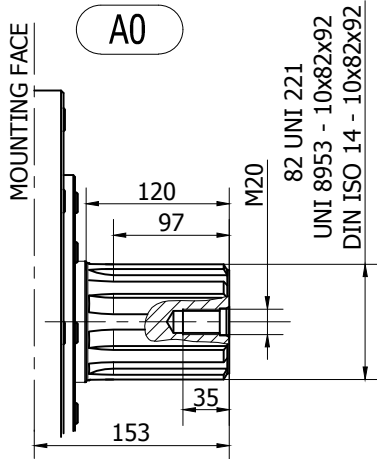
TECHNICAL DATA

		2200	2500	2800	3000	3200	3500
DISPLACEMENT	[cc]	2206	2525	2807	2983	3289	3479
SPECIFIC TORQUE	[Nm/bar]	35.1	40.2	44.7	47.5	52.3	55.4
MAX. CONT. PRESSURE	[bar]	250	250	250	250	250	250
HYDROSTATIC TEST PRES-SURE	[bar]	420	420	420	420	420	420
MAX. CONT. SPEED	[rpm]	220	220	220	210	200	200
PEAK SPEED (***)	[rpm]	260	260	260	250	240	240
MAX. CONT. POWER (****)	[kW]	120	120	120	120	120	120
MAX. POWER	[kW]	170	170	170	170	170	170
MAX. CASE PRESSURE	[bar]	6	6	6	6	6	6
DRY WEIGHT	[kg]	308	308	308	308	308	308
TEMPERATURE RANGE (**)	[°C]	-30÷70	-30÷70	-30÷70	-30÷70	-30÷70	-30÷70

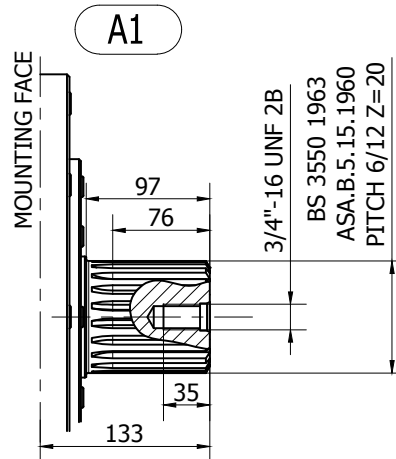
- (*) The standard distributor (D90) is shown. Please refer to distributors section (pag. 176-177) for different distributor interfaces.
- (**) Please refer to the hydraulic fluid recommendations (pag. 10-11).
- (***) Do not exceed maximum power (see pag. 13).
- (****) For motor operation with a continuous duty cycle at maximum continuous power the flushing is usually required. For more information please contact our technical department.

The data specified into the catalogue are for product description purpose only and must not be interpreted as warranted characteristics in legal sense. Italgrou S.r.l. reserves the right to implement modifications without notice. All partial or total reproduction and copy without written authorization of Italgrou S.r.l. is strictly forbidden.

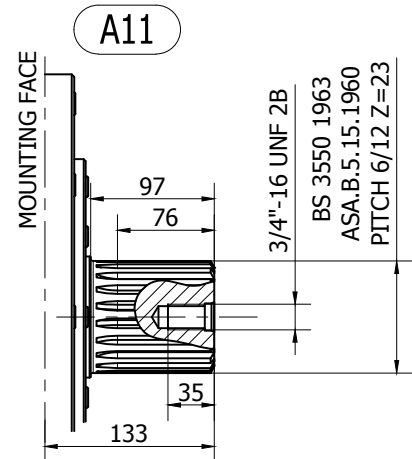
SHAFT CONFIGURATIONS



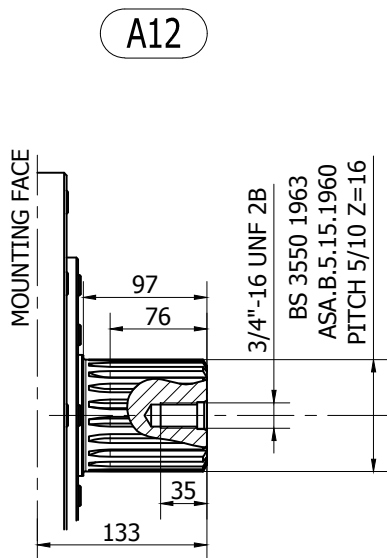
Available spline billet: **SB9**



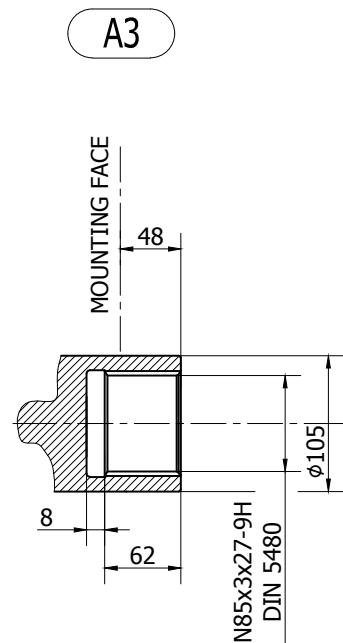
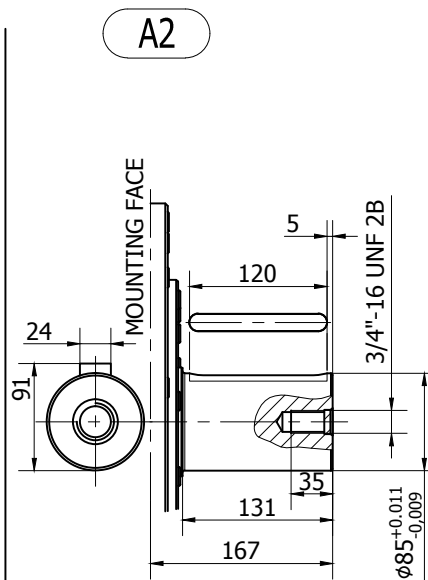
Available spline billet: **SB10**



Available spline billet: **SB24**

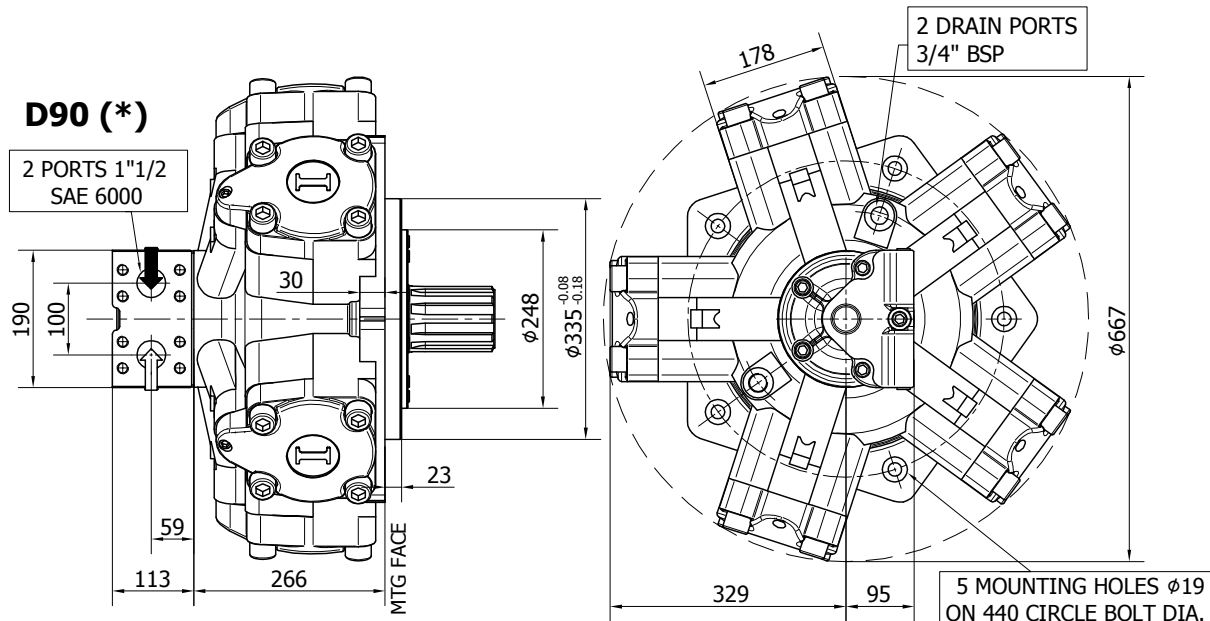


Available spline billet: **SB27**



INSTALLATION DRAWING

Available distributor flange: **FL10**
refer to page 185 (distributor fitting D75)



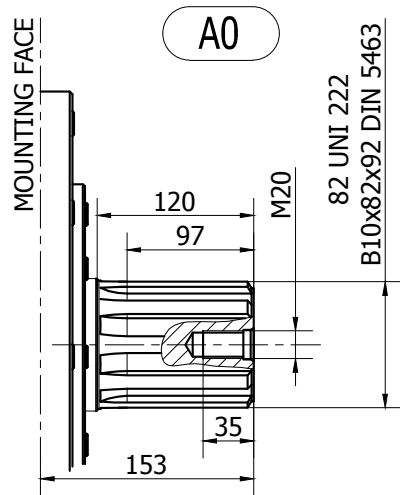
TECHNICAL DATA

		2200	2500	2800	3000	3200	3500
DISPLACEMENT	[cc]	2206	2525	2807	2983	3289	3479
SPECIFIC TORQUE	[Nm/bar]	35.1	40.2	44.7	47.5	52.3	55.4
MAX. CONT. PRESSURE	[bar]	250	250	250	250	250	250
HYDROSTATIC TEST PRES-SURE	[bar]	420	420	420	420	420	420
MAX. CONT. SPEED	[rpm]	220	220	220	210	200	200
PEAK SPEED (***)	[rpm]	260	260	260	250	240	240
MAX. CONT. POWER (****)	[kW]	120	120	120	120	120	120
MAX. POWER	[kW]	170	170	170	170	170	170
MAX. CASE PRESSURE	[bar]	6	6	6	6	6	6
DRY WEIGHT	[kg]	308	308	308	308	308	308
TEMPERATURE RANGE (**)	[°C]	-30÷70	-30÷70	-30÷70	-30÷70	-30÷70	-30÷70

- (*) The standard distributor (D90) is shown. Please refer to distributors section (pag. 176-177) for different distributor interfaces.
- (**) Please refer to the hydraulic fluid recommendations (pag. 10-11).
- (***) Do not exceed maximum power (see pag. 13).
- (****) For motor operation with a continuous duty cycle at maximum continuous power the flushing is usually required. For more information please contact our technical department.

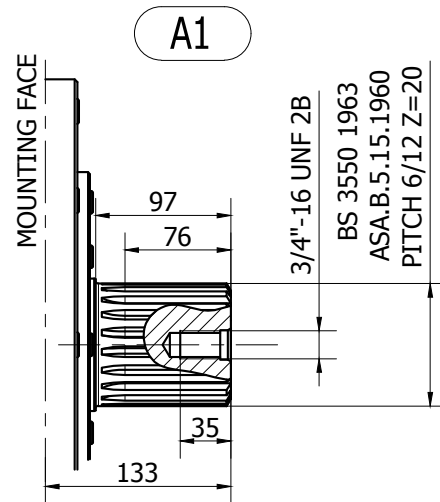
The data specified into the catalogue are for product description purpose only and must not be interpreted as warranted characteristics in legal sense. Italgrou S.r.l. reserves the right to implement modifications without notice. All partial or total reproduction and copy without written authorization of Italgrou S.r.l. is strictly forbidden.

SHAFT CONFIGURATIONS



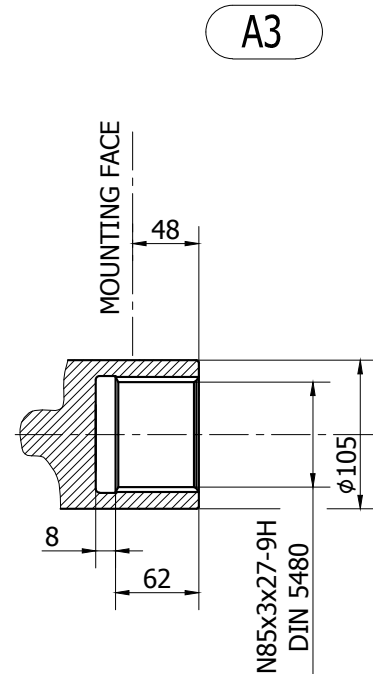
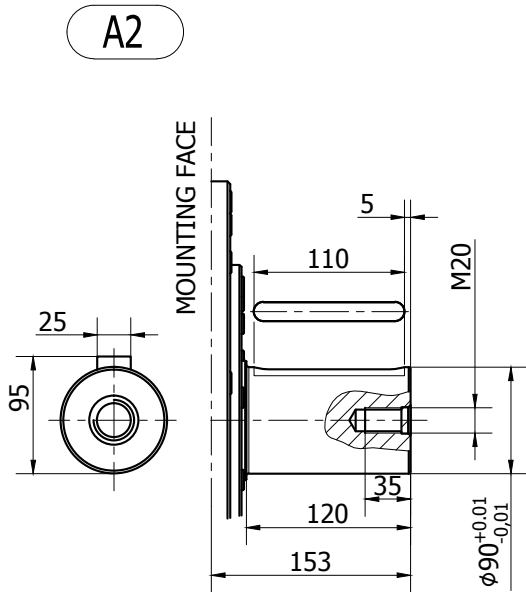
Available spline billet: **SB9**

82 UNI 222
B10x82x92 DIN 5463



Available spline billet: **SB10**

3/4" - 16 UNF 2B
BS 3550 1963
ASA.B.5.15.1960
PITCH 6/12 Z=20

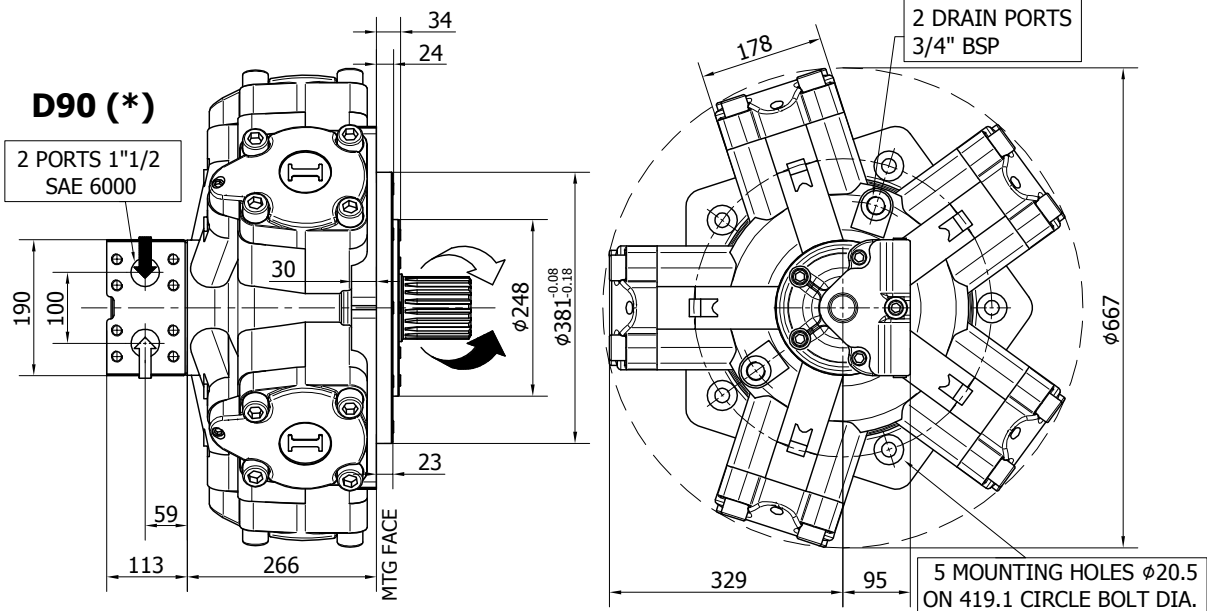


N85x3x27-9H
DIN 5480

The data specified into the catalogue are for product description purpose only and must not be interpreted as warranted characteristics in legal sense. Italgrou S.r.l. reserves the right to implement modifications without notice. All partial or total reproduction and copy without written authorization of Italgrou S.r.l. is strictly forbidden.

INSTALLATION DRAWING

Available distributor flange: **FL7**
for S04, refer to page 187 (distributor fitting D90)



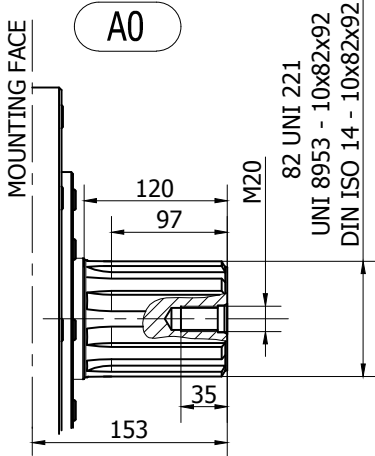
TECHNICAL DATA

		2200	2500	3000
DISPLACEMENT	[cc]	2206	2525	2983
SPECIFIC TORQUE	[Nm/bar]	35.1	40.2	47.5
MAX. CONT. PRESSURE	[bar]	250	250	250
HYDROSTATIC TEST PRES-SURE	[bar]	420	420	420
MAX. CONT. SPEED	[rpm]	220	220	210
PEAK SPEED (***)	[rpm]	260	260	250
MAX. CONT. POWER (****)	[kW]	120	120	120
MAX. POWER	[kW]	170	170	170
MAX. CASE PRESSURE	[bar]	6	6	6
DRY WEIGHT	[kg]	308	308	308
TEMPERATURE RANGE (**)	[°C]	-30÷70	-30÷70	-30÷70

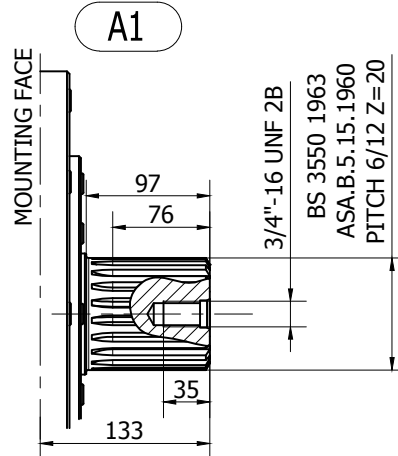
- (*) The standard distributor (D90) is shown. Please refer to distributors section (pag. 176-177) for different distributor interfaces.
- (**) Please refer to the hydraulic fluid recommendations (pag. 10-11).
- (***) Do not exceed maximum power (see pag. 13).
- (****) For motor operation with a continuous duty cycle at maximum continuous power the flushing is usually required. For more information please contact our technical department.

The data specified into the catalogue are for product description purpose only and must not be interpreted as warranted characteristics in legal sense. Italgrou S.r.l. reserves the right to implement modifications without notice. All partial or total reproduction and copy without written authorization of Italgrou S.r.l. is strictly forbidden.

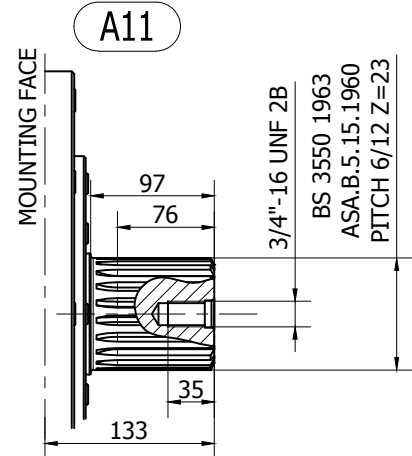
SHAFT CONFIGURATIONS



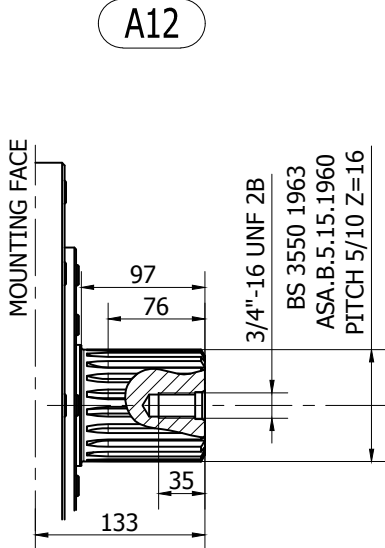
Available spline billet: (SB9)



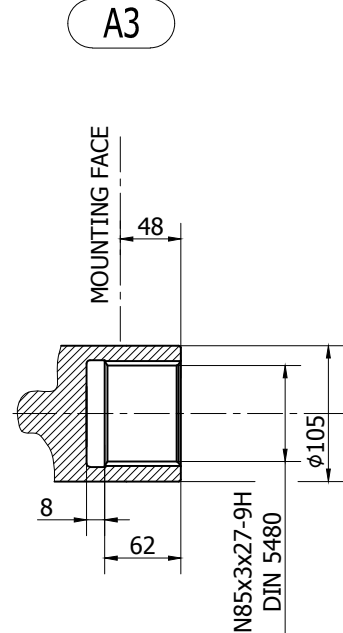
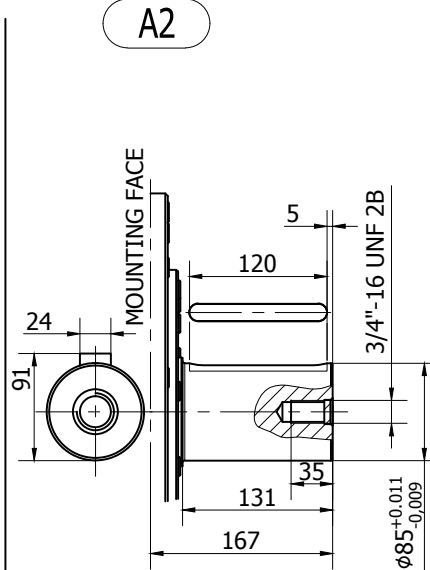
Available spline billet: (SB10)



Available spline billet: (SB24)



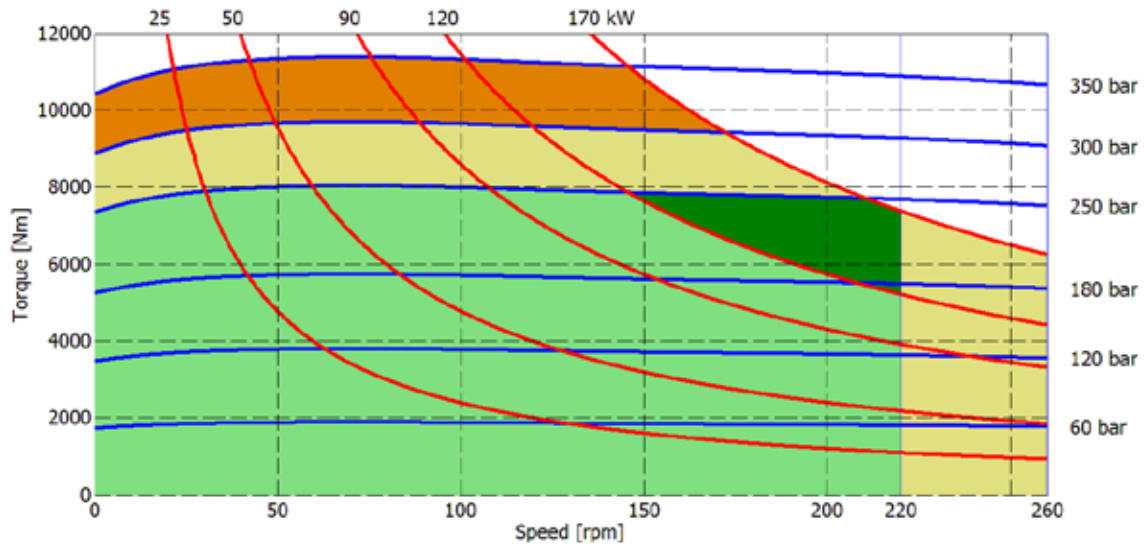
Available spline billet: (SB27)



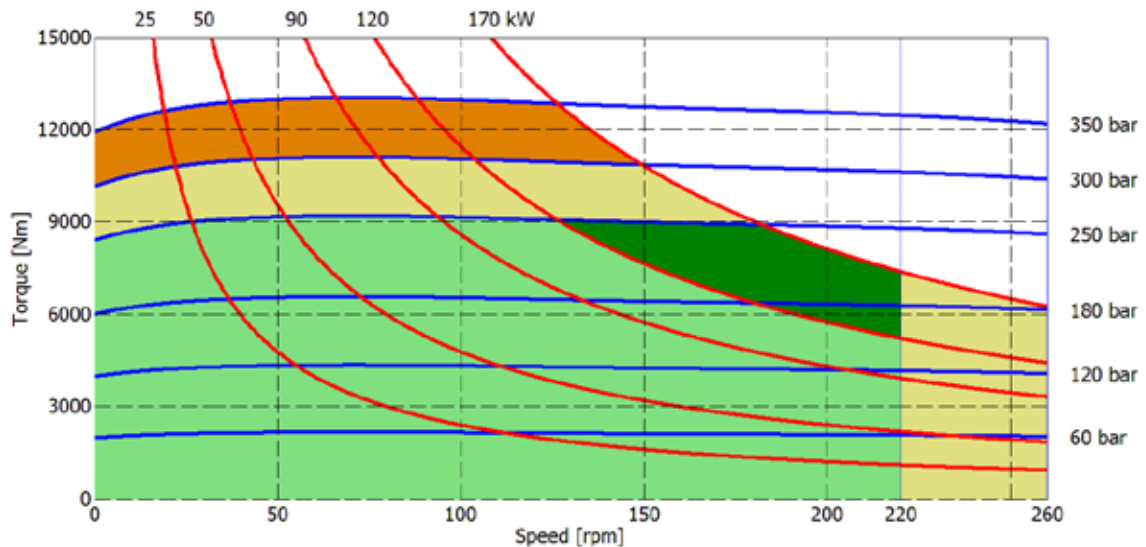
The data specified into the catalogue are for product description purpose only and must not be interpreted as warranted characteristics in legal sense. ItalgrouP S.r.l. reserves the right to implement modifications without notice. All partial or total reproduction and copy without written authorization of ItalgrouP S.r.l. is strictly forbidden.

IAM H6 - PERFORMANCE DIAGRAMS

2200 cc



2500 cc



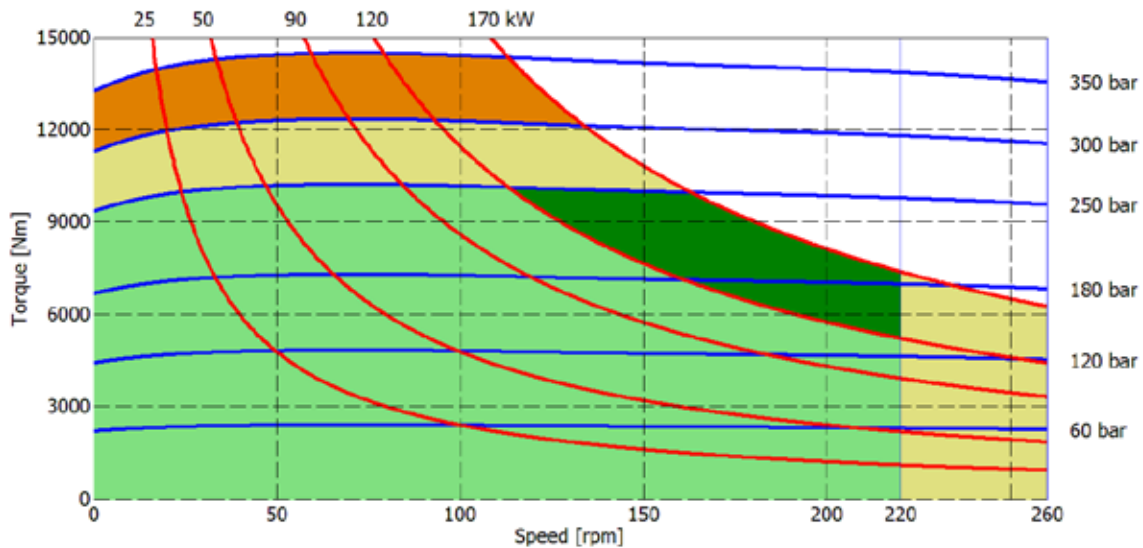
- Continuous operation
- Continuous operation with flushing or intermittent operation (see below for intermittent operation)
- Intermittent operation: permitted for a 15% of duty cycle, for 3 minutes maximum period
- Peak operation: permitted for very short periods (3-5 seconds every 10-15 minutes)

The above diagrams are referring to the hydraulic motor working with a fluid in ideal conditions (viscosity at 40 cSt). In case the working temperature increases and viscosity reach values under the recommended values (see hydraulic fluid recommendations) flushing must be performed or ISO oil grade must be changed. The working temperature must not overcome 70 °C.

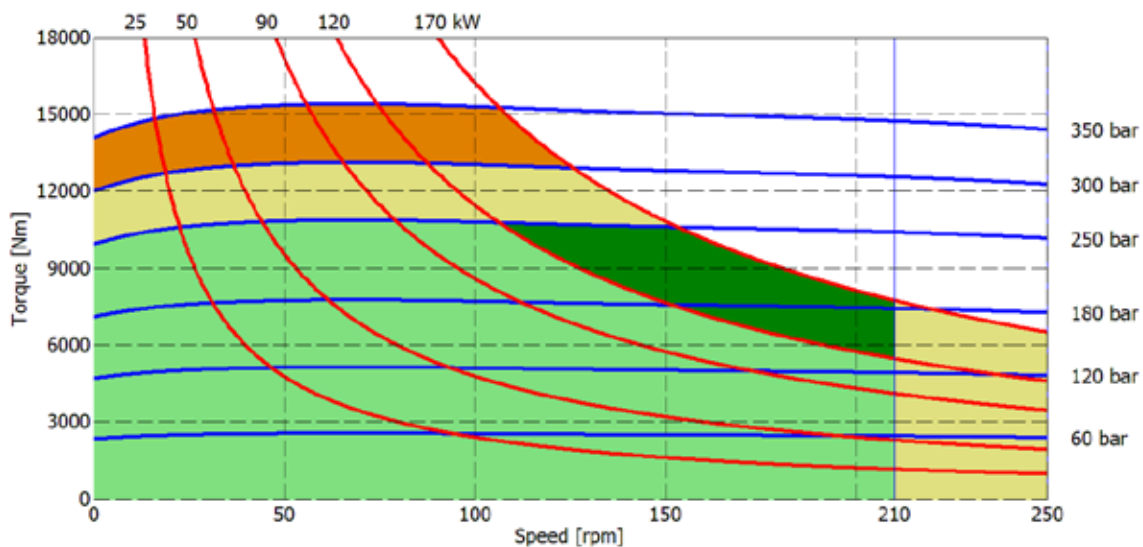
The data specified into the catalogue are for product description purpose only and must not be interpreted as warranted characteristics in legal sense. Italgrou S.r.l. reserves the right to implement modifications without notice. All partial or total reproduction and copy without written authorization of Italgrou S.r.l. is strictly forbidden.

IAM H6 - PERFORMANCE DIAGRAMS

2800 cc



3000 cc



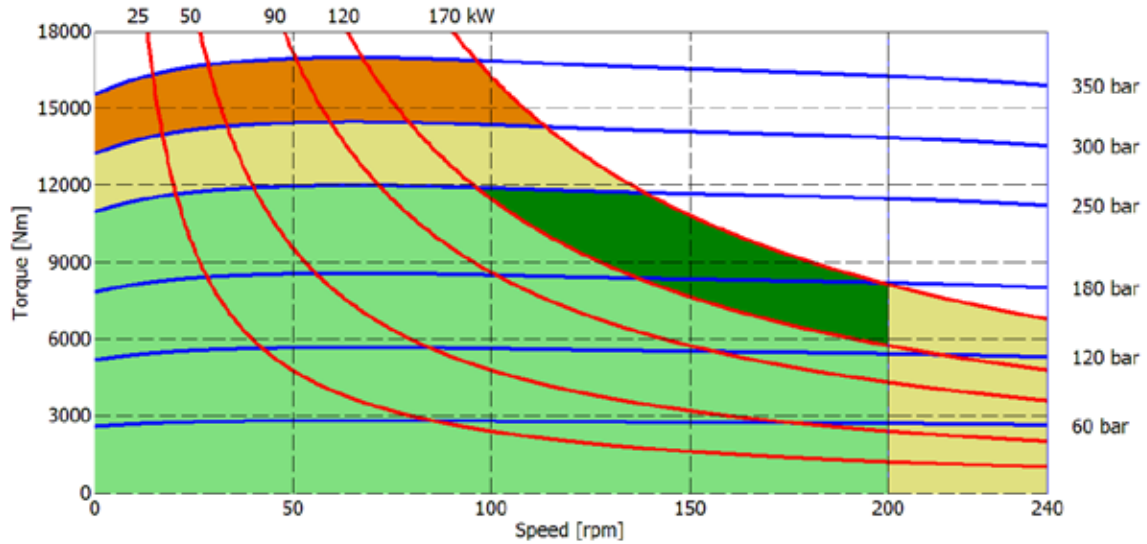
- Continuous operation
- Continuous operation with flushing or intermittent operation (see below for intermittent operation)
- Intermittent operation: permitted for a 15% of duty cycle, for 3 minutes maximum period
- Peak operation: permitted for very short periods (3-5 seconds every 10-15 minutes)

The above diagrams are referring to the hydraulic motor working with a fluid in ideal conditions (viscosity at 40 cSt). In case the working temperature increases and viscosity reach values under the recommended values (see hydraulic fluid recommendations) flushing must be performed or ISO oil grade must be changed. The working temperature must not overcome 70 °C.

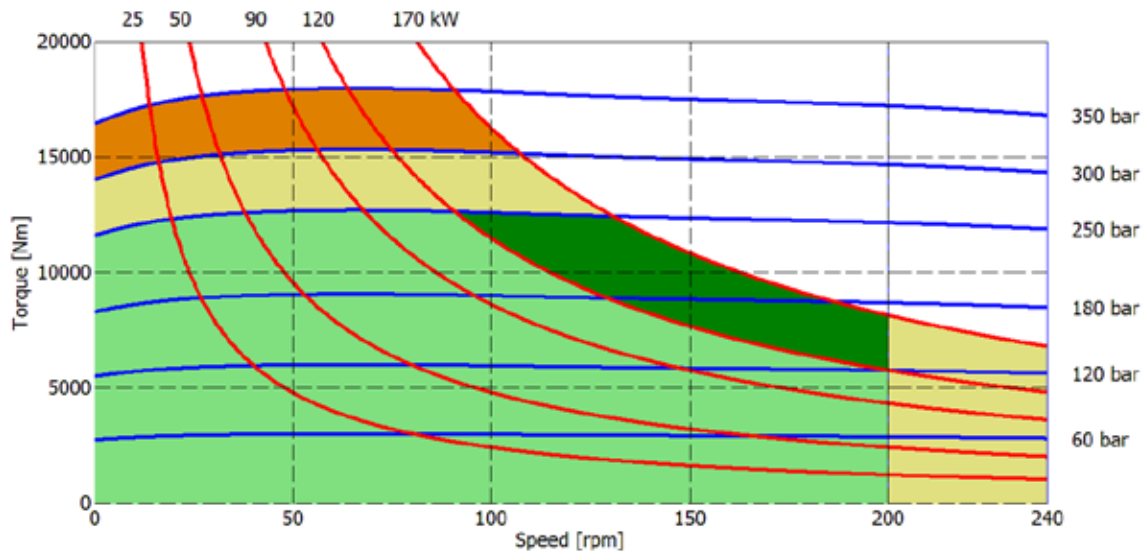
The data specified into the catalogue are for product description purpose only and must not be interpreted as warranted characteristics in legal sense. Italgroup S.r.l. reserves the right to implement modifications without notice. All partial or total reproduction and copy without written authorization of Italgroup S.r.l. is strictly forbidden.

IAM H6 - PERFORMANCE DIAGRAMS

3200 cc



3500 cc



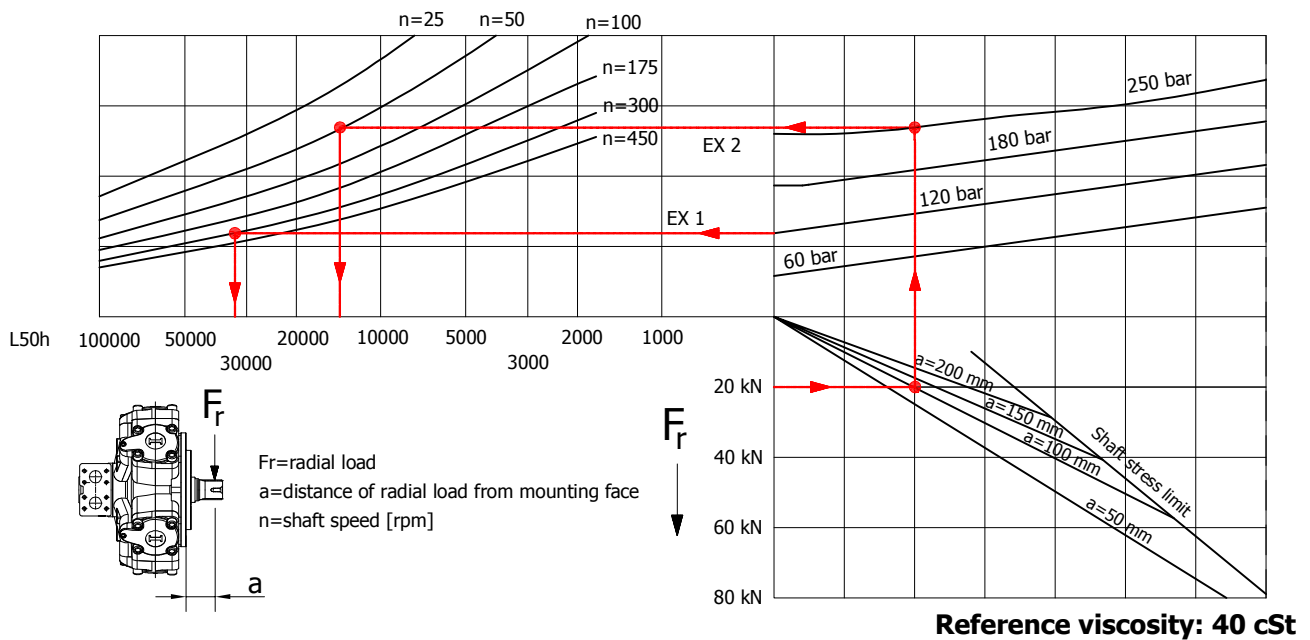
- Continuous operation
- Continuous operation with flushing or intermittent operation (see below for intermittent operation)
- Intermittent operation: permitted for a 15% of duty cycle, for 3 minutes maximum period
- Peak operation: permitted for very short periods (3-5 seconds every 10-15 minutes)

The above diagrams are referring to the hydraulic motor working with a fluid in ideal conditions (viscosity at 40 cSt). In case the working temperature increases and viscosity reach values under the recommended values (see hydraulic fluid recommendations) flushing must be performed or ISO oil grade must be changed. The working temperature must not overcome 70 °C.

The data specified into the catalogue are for product description purpose only and must not be interpreted as warranted characteristics in legal sense. Italgrou S.r.l. reserves the right to implement modifications without notice. All partial or total reproduction and copy without written authorization of Italgrou S.r.l. is strictly forbidden.

BEARING LIFE

Reference displacement 3000 cc



Example:

We suppose (EX1): $p=120$ [bar], $n=300$ [rpm]; we obtain an average lifetime of 34000 [h].

If we suppose (EX2): $F_r=20$ [kN], $a=100$ [mm], $n=50$ [rpm] and $p=250$ [bar] we obtain an average lifetime of 13000 [h].

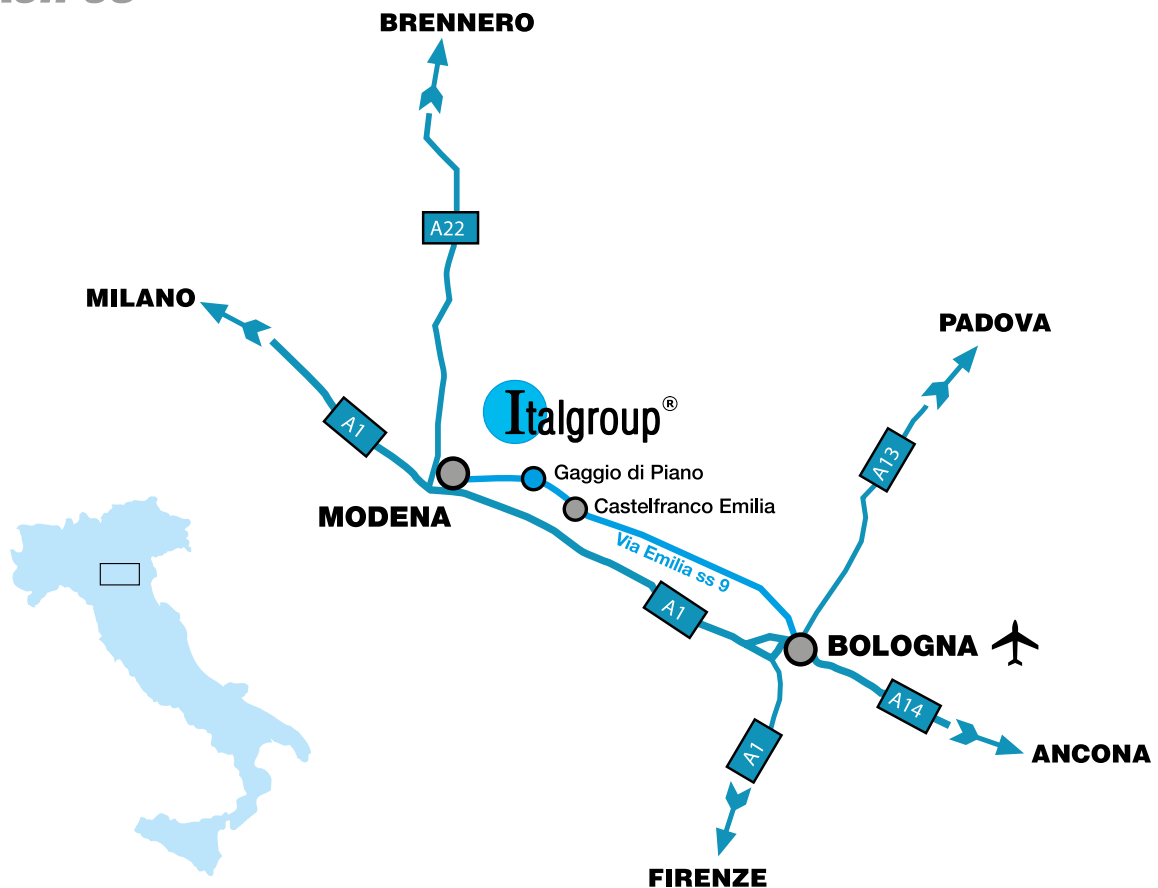
The above data are referring to the IAM H6 series motors, displacement 3000 cc.

CONTACT US

Italgroup S.r.l.
Via Pacinotti 20/22
41010 - Gaggio di Piano (Modena) – Italy

Tel. +39 059 92 42 57
Fax +39 059 92 01 13
e-mail: italgroup@italgroup.eu
internet: <http://www.italgroup.eu>

REACH US



Europe

Austria
Belgium
Croatia
Czech Republic
Cyprus
Denmark
Faroe Islands
France
Finland
Germany
Greece
Iceland
Italy
Netherlands
Norway
Poland
Portugal
Russia
Slovenia
Spain
Sweden
Switzerland
Turkey
Ukraine
United Kingdom

Africa

Egypt
South Africa
Tunisia

America

Argentina
Brazil
Canada
Chile
Mexico
Peru
USA
Colombia

Asia

China
Hong Kong
India
Indonesia
Iran
Israel
Philippines
Russia
Belarus
Singapore
South Korea
Thailand
Taiwan
United Arab Emirates
Vietnam

Oceania

Australia
New Zealand

