



HYDRAULIC



Company Profile

Shanghai Dazhong Hydraulic Technology Co., Ltd(SDH) founded in 1999 is a leading manufacture of gear pump in China.

SDH covers 66,000m² with 10,000m² producing zone, 250 sets special equipments and 80 sets NC machine. The key process CNC and test equipments are imported from Germany and Japan.

SDH has about 360 employees, over 60 of them are technician and 36 experienced CNC operators. SDH also has professional team of R&D, QC, Sales and Customer Services.

SDH has qualified with ISO 9001:2000 by BSI in 2001. The products are CE certified.

SDH are offering more than 300,000 sets high quality gear pumps for global market every year.

SDH gear pump is your first choice.



Index

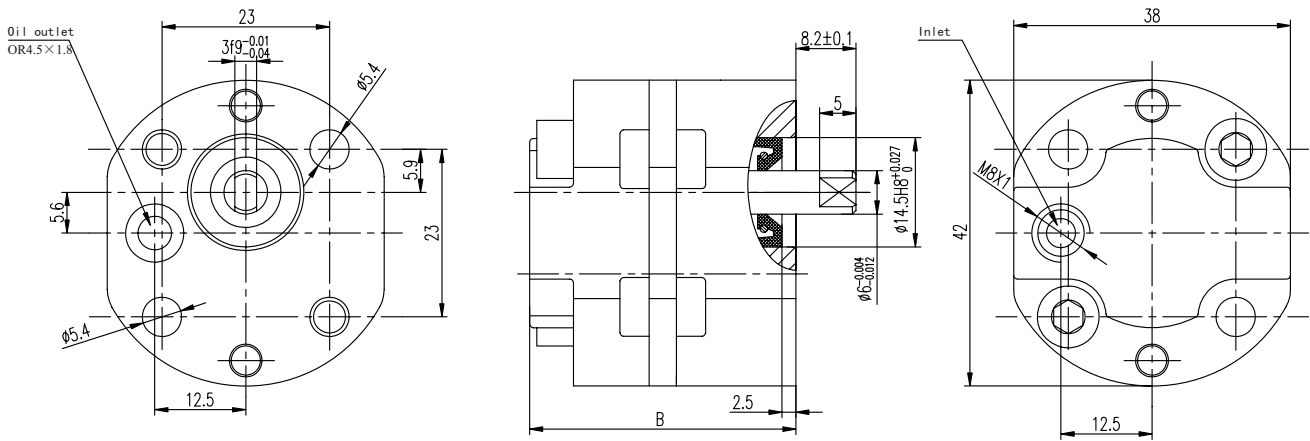
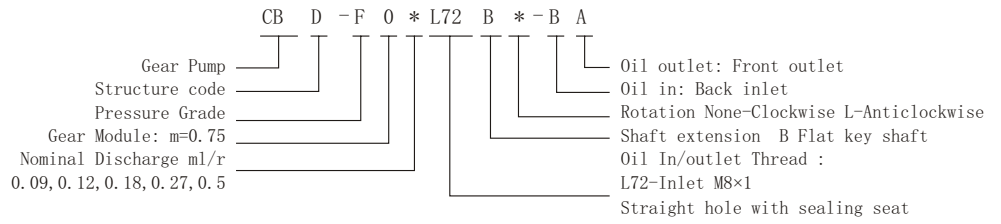
CBD-F0*L1B-BA series gear pump	1
CBD-F1 series gear pump	2
CBD-F1**BRV series gear pump	3
CBD-F2 series gear pump	4
CBD-F2 series gear pump	5
CBD1-F2-BB series gear pump	6
CBD1-F2-CC series gear pump	7
CBD2-F2A series gear pump	8
CBD2-F2B series gear pump	9
CBD-F* series gear pump	10
CBD-F2*V series gear pump	11
CBD3-Fd*B3* series gear pump	12
CBD-F3 series gear pump	13
CBT-F3 series gear pump	14
CBD2-F3*LF3B2 series gear pump	15
CBDs-F3 series gear pump	16
CBTs-F3 series gear pump	17
CBT-F208/201.5LP series gear pump	18
CBT-F3**/** series double pump	19
CBT-F3**/** series triple pump	20
CBDa-F4 series gear pump	21
CBD1-F5 series gear pump	22
CBD2-F5 series gear pump	23
CBD-F-CB series gear pump	24
CBD-F-CC series gear pump	25
CBD-F-BB series gear pump	26
CBDa-F**L50P2 series gear pump	27
CBD1-F20*/20****-CC series double pump	28
CMD-F3**FZS series motor	29
CBD1-F5**F**/F4**F**** series double pump	30
CBD2-F5**/5**DF13S4*-HN series double pump	31
CBD-F5**/3**/3** series gear pump	32
CBT-F3**F84/20**F4Z5* series double pump	33
CBDa-F4**L83/4**L83H3* series double pump	34
CBX3032/3045FJ5* series double pump	35

Index

CBF-E4 series gear pump	36
CBT-F4 series gear pump	37
CBT/F-E4 series gear pump	38
CB-E5 series gear pump	39
CBF-E5 series gear pump	40
CBT-F5 series gear pump	41
CBQ-F5 series gear pump	42
CBF-E10~40 series gear pump	43
CBF-E50~100 series gear pump	44
CBF-E100 series gear pump	45
CBGb2 series gear pump	46
CBGb2080 series gear pump	47
CBD-F100FH** series gear pump	48
CBD-F63~100F*-CC series gear pump	49
CB-FC series gear pump	50
CBX3 series gear pump	51
CBX3028 series gear pump	52
CB-Fb**A series gear pump	53
CB-Fb**B series double pump	54
CBJ2 series double pump	55
ZCB106A-060/125 series triple pump	56
ZCB106B-060/125 series gear pump	57
ZCB106C-060/125 series gear pump	58
ZCB114-100/100 series gear pump	59
ZCB118-160/130 series gear pump	60
ZCB118-120/100 series gear pump	61
ZCB125-250/130 series gear pump	62

Remarks: 1, The specifications and technical data are subject to change without notice.
 2, Special connection and dimension per request.
 3, All rights are reserved by SDH.

CBD-F0*L1B*-BA SERIES GEAR PUMP



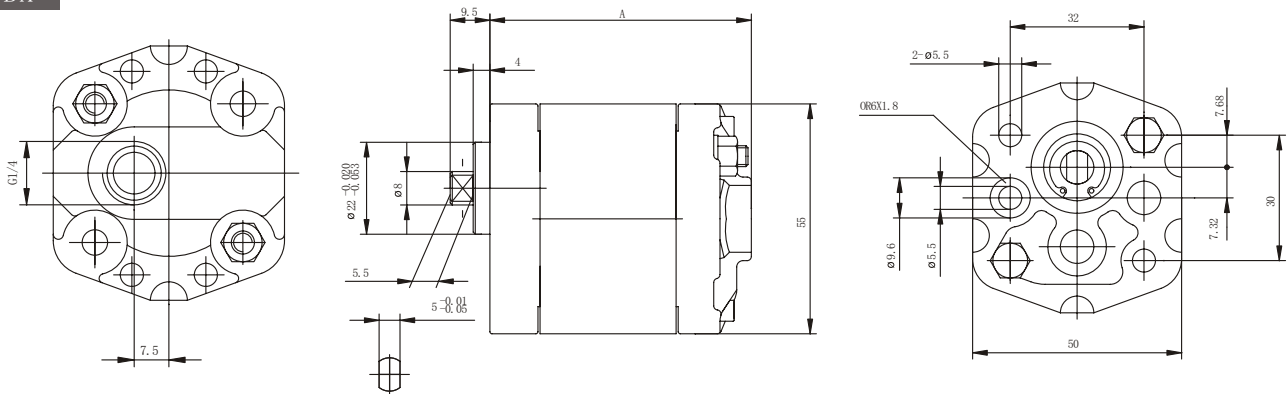
Model	Disp. (ml/r)	Pressure (MPa)		Rated Speed (r/min)	A (mm)
		Rated	Max.		
CBD-F00.09	0.09	180	210	3500	36.5
CBD-F00.12	0.12	180	210	3500	37.5
CBD-F00.18	0.18	180	210	3500	38.5
CBD-F00.27	0.27	180	210	3500	40.5
CBD-F00.50	0.5	180	210	3500	45.5

CBD-F1 SERIES GEAR PUMP

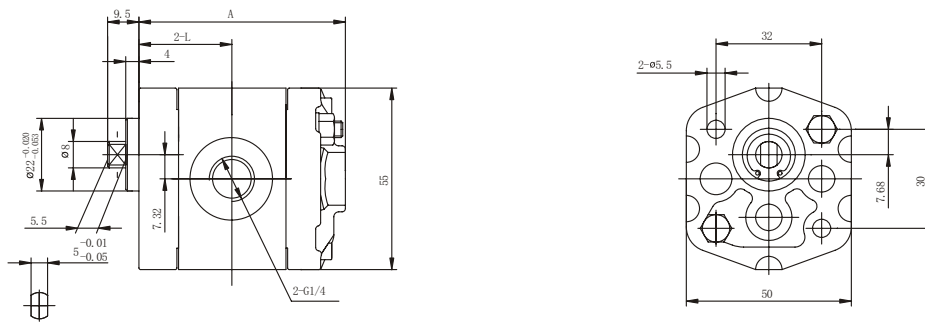


- | | | |
|-------------------------|--------------------------|--|
| | CB D -F 1 * L* B * - * * | |
| Gear Pump | _____ | Oil outlet: |
| Structure code | _____ | A:Front outlet B:Back outlet C:Side outlet. |
| Pressure Grade | _____ | Oil in: |
| Gear Module: m=1 | _____ | A:Front inlet B:Back inlet C:Side inlet. |
| Nominal Discharge ml/r: | _____ | Rotation None-Clockwise L-Anticlockwise |
| 0.16, 0.25, 0.50, 0.75, | | Shaft extension: |
| 1.00, 1.25, 1.50, 1.75 | | B Flat key shaft |
| | | Oil In/outlet Thread : |
| | | L2-In G1/4 Out Straight hole with sealing seat |
| | | Side Inlet Side Outlet |
| | | L1-In G3/8 Out Straight hole with sealing seat |

"BA"



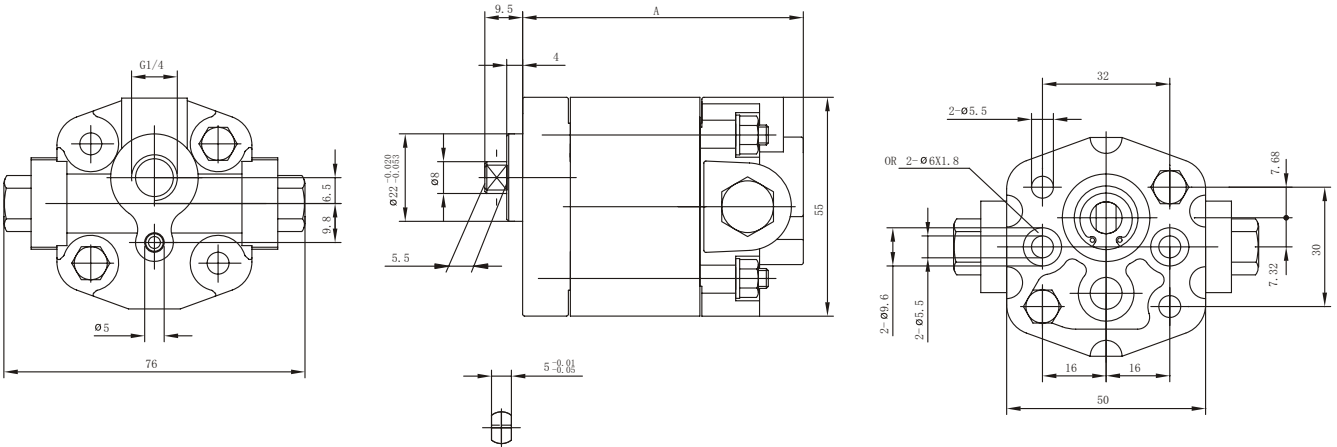
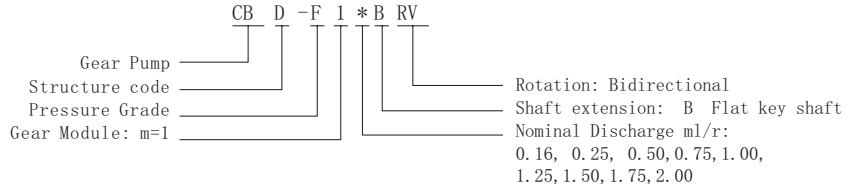
"CC"



Model	Disp. (ml/r)	Pressure (MPa)		Speed (r/min)			A (mm)	L (mm)
		Rated	Max.	Rated	Max.	Min.		
CBD-F12.00L1B*	2.00	19	23	2000	3500	600	77.5	36
CBD-F11.75L1B*	1.75	19	23	2000	4000	600	75.0	34.8
CBD-F11.50L1B*	1.50	19	23	2000	4000	600	72.5	33.5
CBD-F11.25L1B*	1.25	19	23	2000	5000	600	70.5	32.5
CBD-F11.00L1B*	1.00	19	23	2000	6000	600	68.0	31.3
CBD-F10.75L1B*	0.75	19	23	2000	7000	600	65.5	30.0
CBD-F10.50L1B*	0.50	19	23	2000	7000	600	63.0	28.5
CBD-F10.38L1B*	0.38	19	23	2000	7000	600	62.3	28.3
CBD-F10.25L1B*	0.25	19	23	2000	7000	600	61.0	27.8
CBD-F10.16L1B*	0.16	19	23	2000	7000	600	60.5	27.5

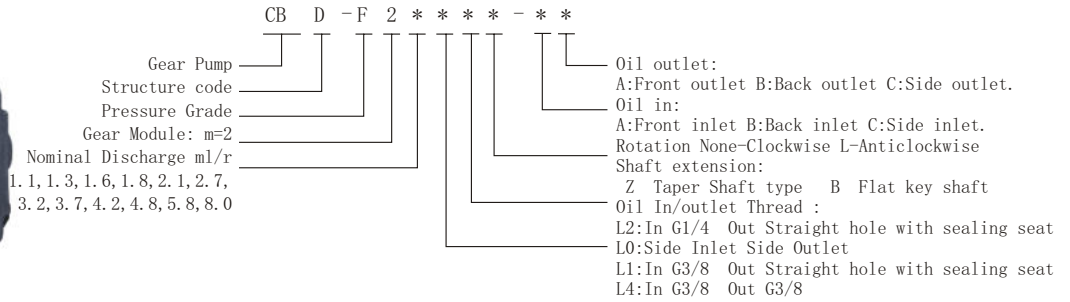


CBD-F1**BRV SERIES GEAR PUMP

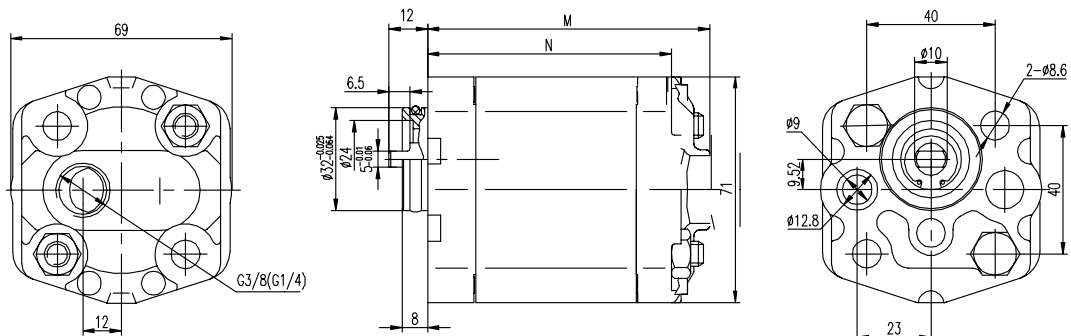


Model	Disp. (ml/r)	Pressure (MPa)		Speed (r/min)			A (mm)
		Rated	Max.	Rated	Max.	Min.	
CBD-F12.00BRV	2.00	19	23	2000	3500	600	85.5
CBD-F11.75BRV	1.75	19	23	2000	4000	600	83.0
CBD-F11.50BRV	1.50	19	23	2000	4000	600	80.5
CBD-F11.25BRV	1.25	19	23	2000	5000	600	78.5
CBD-F11.00BRV	1.00	19	23	2000	6000	600	76.0
CBD-F10.75BRV	0.75	19	23	2000	7000	600	73.5
CBD-F10.50BRV	0.50	19	23	2000	7000	600	71.0
CBD-F10.25BRV	0.25	19	23	2000	7000	600	69.0
CBD-F10.16BRV	0.16	19	23	2000	7000	600	68.5

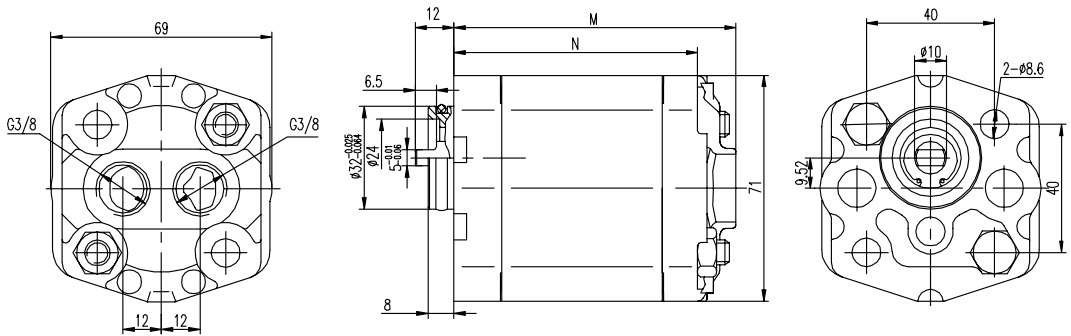
CBD-F2 SERIES GEAR PUMP



CBD-F2-BA

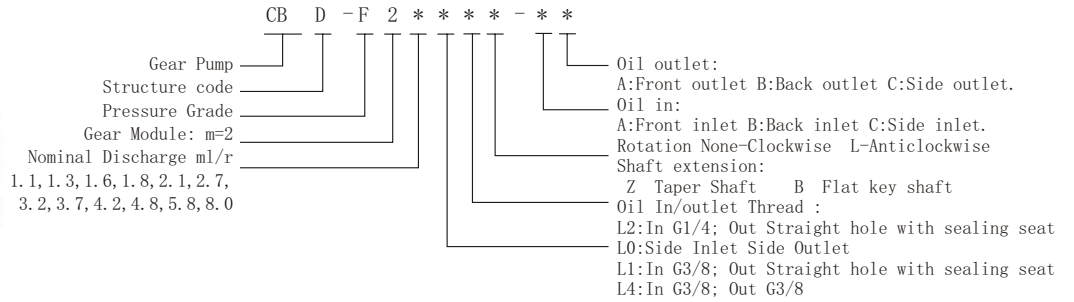


CBD-F2-BB

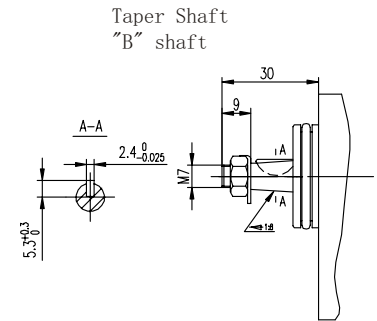
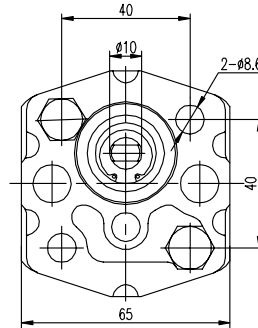
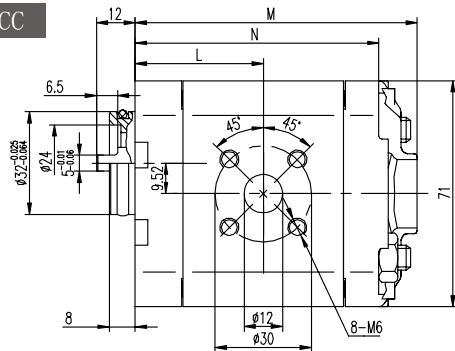


Model	Disp. (Ml/r)	Pressure (MPa)		Speed (r/min)			A (mm)	L (mm)
		Rated	Max.	Rated	Max.	Min.		
CBD-F201.1	1.1	20	20	2000	6000	600	74	62
CBD-F201.3	1.3	20	20	2000	6000	600	75	63
CBD-F201.6	1.6	20	20	2000	6000	600	76	64
CBD-F201.8	1.8	20	20	2000	6000	600	77	65
CBD-F202.1	2.1	20	20	2000	6000	600	78	66
CBD-F202.7	2.7	20	20	2000	6000	600	80	68
CBD-F203.2	3.2	20	20	2000	5000	600	82	70
CBD-F203.7	3.7	20	20	2000	4500	600	84	72
CBD-F204.2	4.2	20	20	2000	4000	600	86	74
CBD-F204.8	4.8	16	16	2000	3500	600	88	76
CBD-F205.8	5.8	16	16	2000	2900	600	92	80
CBD-F208.0	8.0	16	16	2000	2100	600	100	88

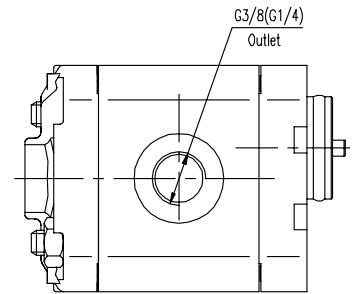
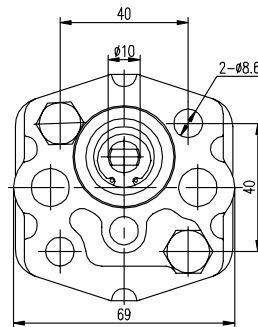
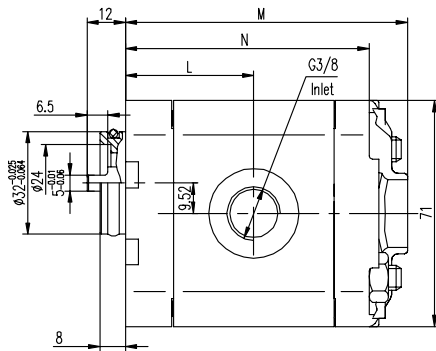
CBD-F2 SERIES GEAR PUMP



CBD-F2*F**CC

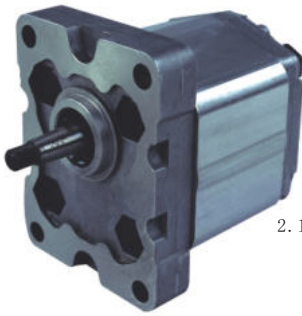


CBD-F2*L3(L4)**CC

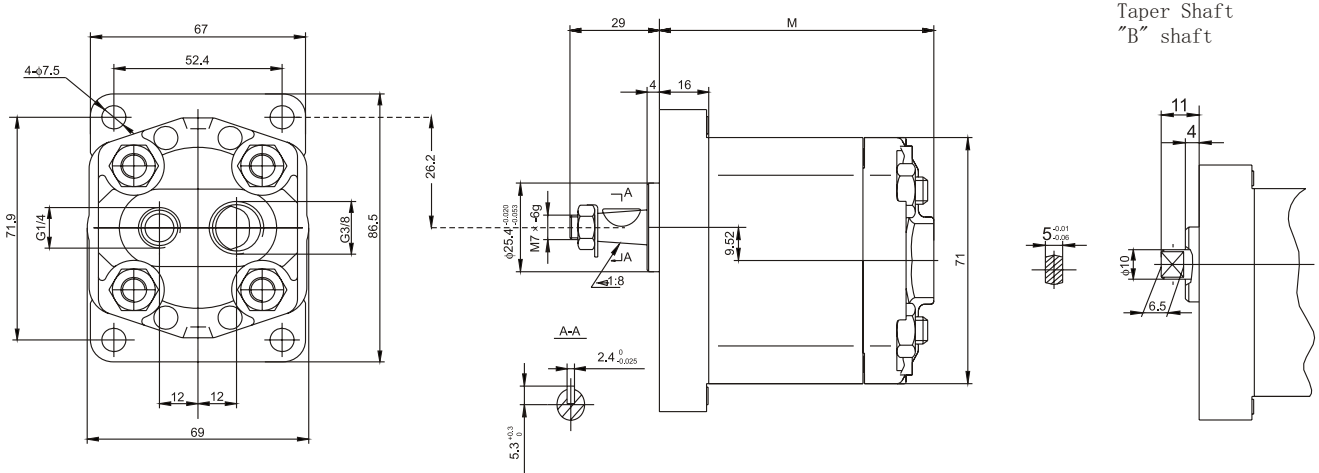


Model	Disp. (ml/r)	Pressure (MPa)		Speed (r/min)			M (mm)	N (mm)	L (mm)
		Rated	Max.	Rated	Max.	Min.			
CBD-F201.1	1.1	20	20	2000	6000	600	74	62	33.25
CBD-F201.3	1.3	20	20	2000	6000	600	75	63	33.75
CBD-F201.6	1.6	20	20	2000	6000	600	76	64	34.25
CBD-F201.8	1.8	20	20	2000	6000	600	77	65	34.75
CBD-F202.1	2.1	20	20	2000	6000	600	78	66	35.25
CBD-F202.7	2.7	20	20	2000	6000	600	80	68	36.25
CBD-F203.2	3.2	20	20	2000	5000	600	82	70	37.25
CBD-F203.7	3.7	20	20	2000	4500	600	84	72	38.25
CBD-F204.2	4.2	20	20	2000	4000	600	86	74	39.25
CBD-F204.8	4.8	16	16	2000	3500	600	88	76	40.25
CBD-F205.8	5.8	16	16	2000	2900	600	92	80	42.25
CBD-F208.0	8.0	16	16	2000	2100	600	100	88	46.25

CBD1-F2-BB SERIES GEAR PUMP

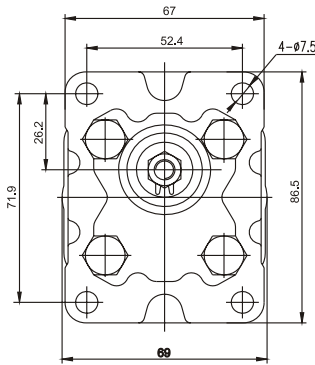
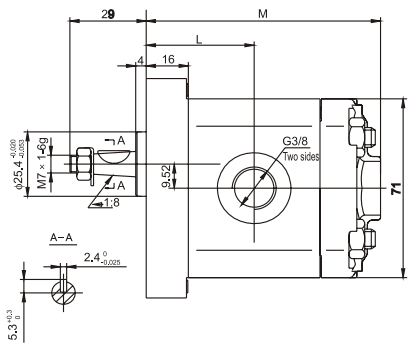
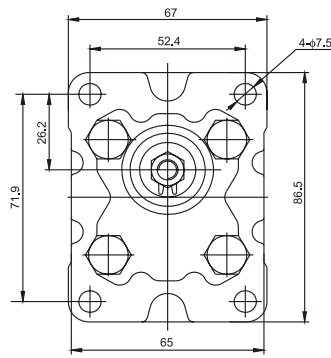
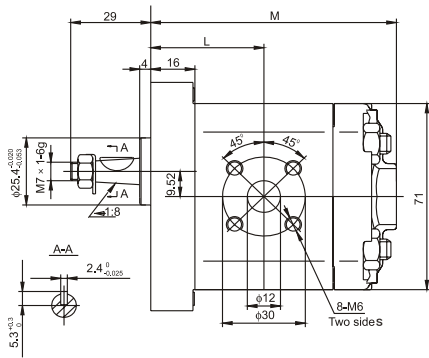
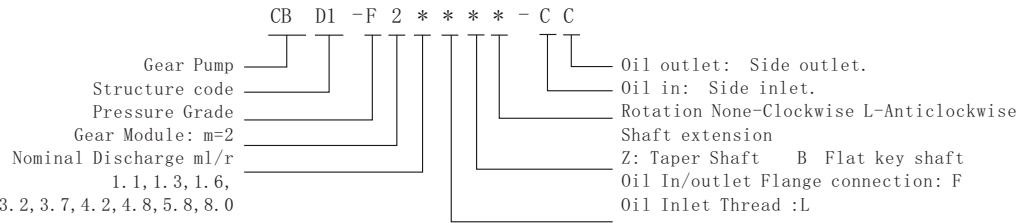


	CB	D1	-F	2	*	*	*	*	-	B	B
Gear Pump	_____	_____	_____	_____	_____	_____	_____	_____	_____	_____	_____
Structure code	_____	_____	_____	_____	_____	_____	_____	_____	_____	_____	_____
Pressure Grade	_____	_____	_____	_____	_____	_____	_____	_____	_____	_____	_____
Gear Module: m=2	_____	_____	_____	_____	_____	_____	_____	_____	_____	_____	_____
Nominal Discharge ml/r	_____	_____	_____	_____	_____	_____	_____	_____	_____	_____	_____
					1. 1, 1. 3, 1. 6,						
					2. 1, 2. 7, 3. 2, 3. 7, 4. 2, 4. 8, 5. 8, 8. 0						
									Oil outlet : Back outlet		
									Oil in: Back inlet		
									Rotation None-Clockwise L-Anticlockwise		
									Shaft extension:		
									Z: Taper Shaft B Flat key shaft		
									Oil In/outlet Thread : L		

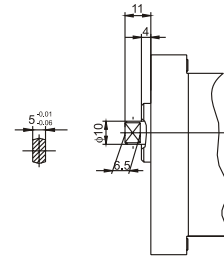


Model	Disp. (Ml/r)	Pressure (MPa)		Speed (r/min)			A (mm)
		Rated	Max.	Rated	Max.	Min.	
CBD1-F201. 1	1. 1	20	25	2000	6000	600	75
CBD1-F201. 3	1. 3	20	25	2000	6000	600	76
CBD1-F201. 6	1. 6	20	25	2000	6000	600	77
CBD1-F202. 1	2. 1	20	25	2000	6000	600	79
CBD1-F202. 7	2. 7	20	25	2000	6000	600	81
CBD1-F203. 2	3. 2	20	25	2000	5000	600	83
CBD1-F203. 7	3. 7	20	25	2000	4500	600	85
CBD1-F204. 2	4. 2	20	25	2000	4000	600	87
CBD1-F204. 8	4. 8	16	20	2000	3500	600	89
CBD1-F205. 8	5. 8	16	20	2000	2900	600	93
CBD1-F208. 0	8. 0	16	20	2000	2100	600	101

CBD1-F2-CC SERIES GEAR PUMP



Taper Shaft
"B" shaft

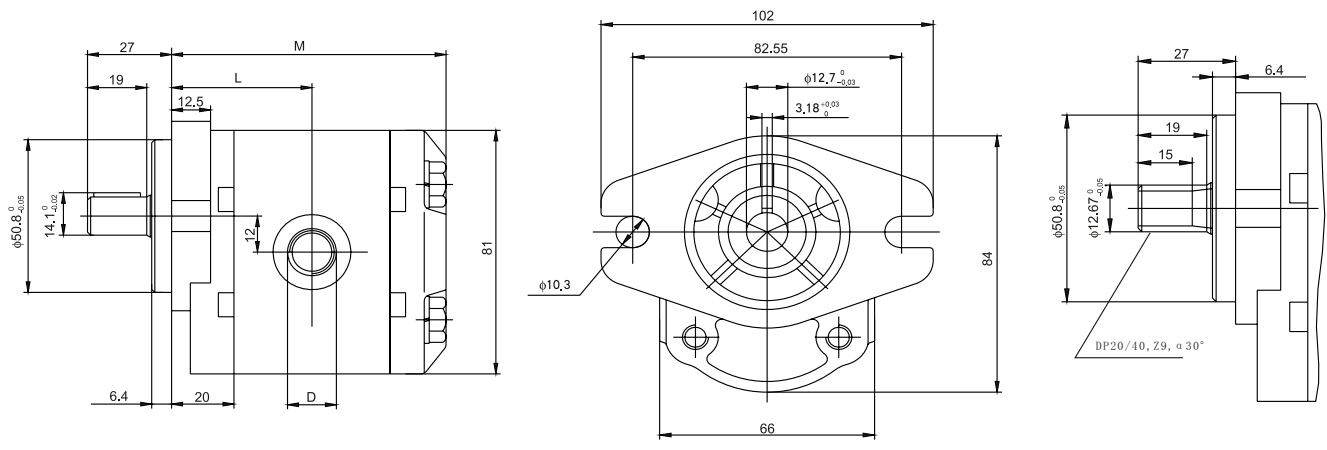


Model	Disp. (ml/r)	Pressure (MPa)		Speed (r/min)			L (mm)	M (mm)
		Rated	Max.	Rated	Max.	Min.		
CBD1-F201.1	1.1	20	25	2000	6000	600	34	75
CBD1-F201.3	1.3	20	25	2000	6000	600	34.5	76
CBD1-F201.6	1.6	20	25	2000	6000	600	35	77
CBD1-F202.1	2.1	20	25	2000	6000	600	36	79
CBD1-F202.7	2.7	20	25	2000	6000	600	37	81
CBD1-F203.2	3.2	20	25	2000	5000	600	38	83
CBD1-F203.7	3.7	20	25	2000	4500	600	39	85
CBD1-F204.2	4.2	20	25	2000	4000	600	40	87
CBD1-F204.8	4.8	16	20	2000	3500	600	41	89
CBD1-F205.8	5.8	16	20	2000	2900	600	43	93
CBD1-F208.0	8.0	16	20	2000	2100	600	47	101

CBD2-F2A SERIES GEAR PUMP



CB D2 -F 2 ** A L * *
 Gear Pump
 Structure code
 Pressure Grade
 Gear Module: m=2
 Normal Discharge ml/r
 1. 3, 2. 0, 2. 7, 3. 4, 4. 1, 5. 1, 6. 1
 Rotation None-Clockwise
 L-Anticlockwise
 Shaft extension:
 S-20/40 spline shaft
 p2-φ12.7 wide of spline 3/8
 p13-φ12.7 wide of spline 4
 Oil in/outlet Thread connection
 Diamond Flange

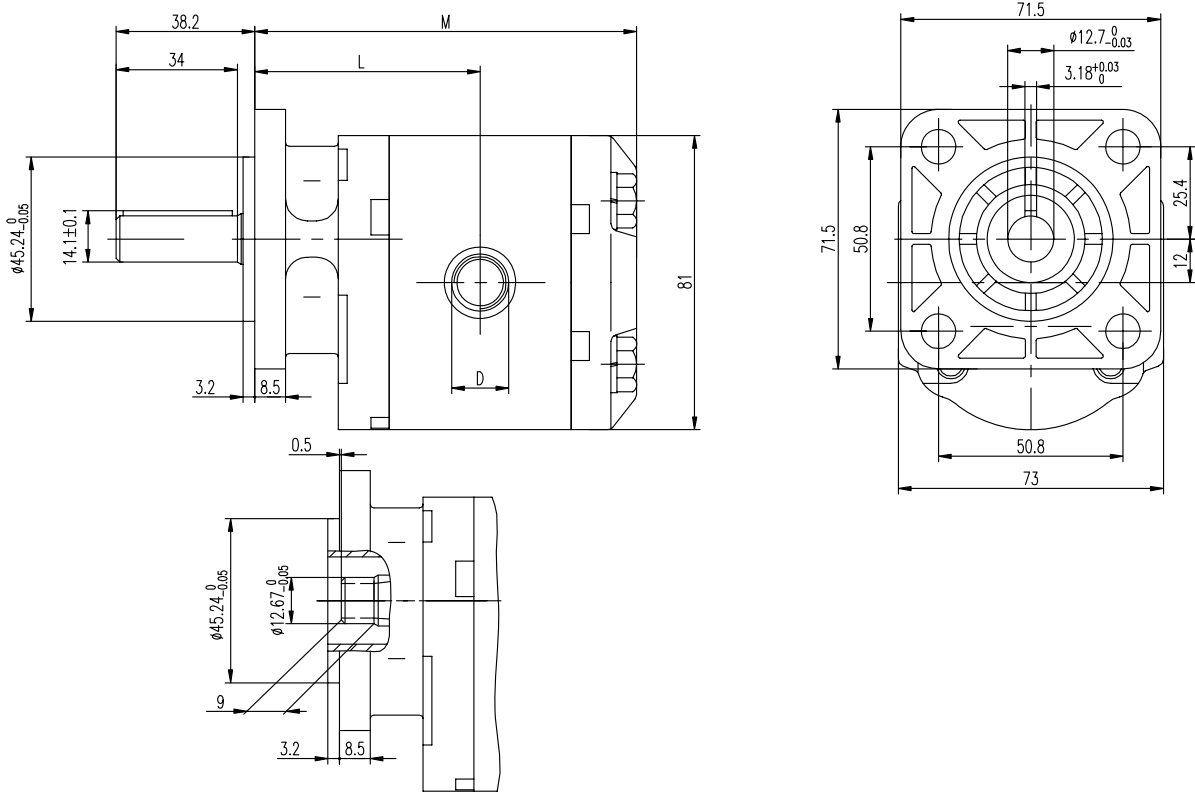


Model	Disp. (ml/r)	Pressure (MPa)		Speed (r/min)			M (mm)	L (mm)	D	
		Rated	Max.	Rated	Max.	Min.			Inlet	Outlet
CBD2-F201.3	1.3	20	25	2000	5000	600	82	42	3/4-16-UNF-2B	9/16-18-UNF-2B
CBD2-F202.0	2.0	20	25	2000	5000	600	84	43	3/4-16-UNF-2B	9/16-18-UNF-2B
CBD2-F202.7	2.7	20	25	2000	5000	600	86	44	3/4-16-UNF-2B	9/16-18-UNF-2B
CBD2-F203.4	3.4	20	25	2000	5100	600	88	45	3/4-16-UNF-2B	9/16-18-UNF-2B
CBD2-F204.1	4.1	20	25	2000	4000	600	90	46	3/4-16-UNF-2B	9/16-18-UNF-2B
CBD2-F205.1	5.1	20	25	2000	4000	600	83	47.5	3/4-16-UNF-2B	9/16-18-UNF-2B
CBD2-F206.1	6.1	20	25	2000	4000	600	96	49	3/4-16-UNF-2B	9/16-18-UNF-2B

CBD2-F2B SERIES GEAR PUMP

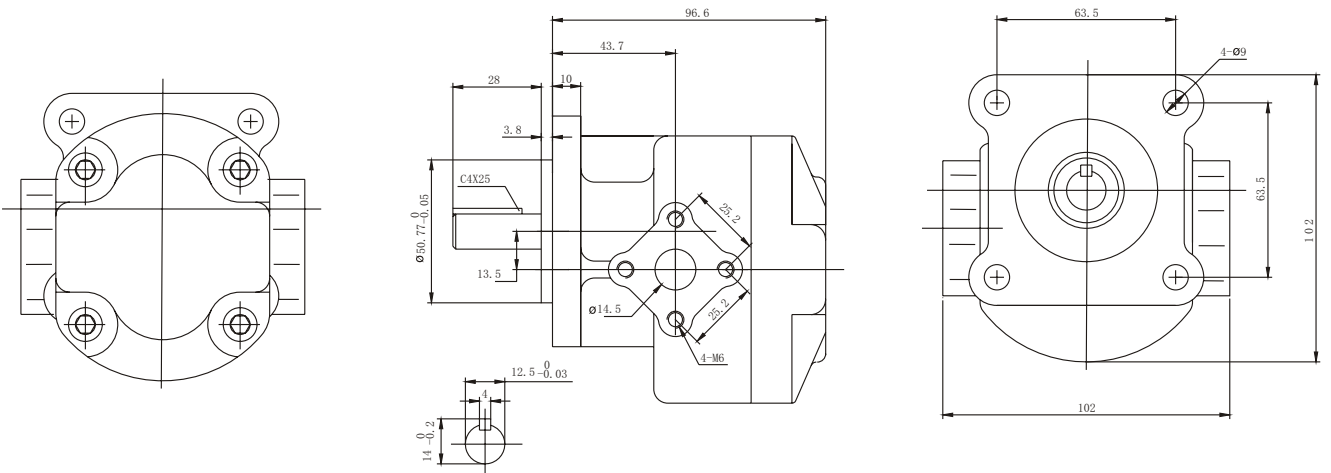
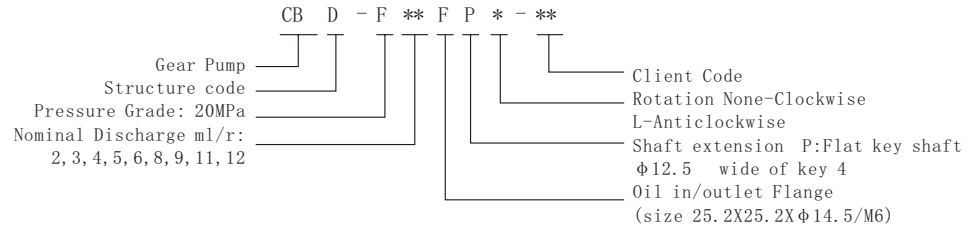


CB D2 -F 2 ** B L * *
 Gear Pump
 Structure code
 Pressure Grade
 Gear Module: m=2
 Normal Discharge ml/r
 3, 2.0, 2.7, 3.4, 4.1, 5.1, 6.1, 7.4, 9.1, 10.8, 13.6
 Rotation None-Clockwise
 L-Anticlockwise
 Shaft extension
 P:Flat key shaft S:Spline shaft
 Oil in/outlet Thread connection
 Square flange



Model	Disp (ml/r)	Pressure (MPa)		Max Speed (r/min)	L (mm)	M (mm)	D		(Nm)
		P1	P2				Inlet	Outlet	
CBD2-F201.3	1.3	22	26	6000	59	99	3/4-16-UNF-2B	9/16-18-UNF-2B	21~32
CBD2-F202.0	2.0	22	26	6000	60	101	3/4-16-UNF-2B	9/16-18-UNF-2B	21~32
CBD2-F202.7	2.7	22	26	5000	61	103	3/4-16-UNF-2B	9/16-18-UNF-2B	21~32
CBD2-F203.4	3.4	22	26	5000	62	105	3/4-16-UNF-2B	9/16-18-UNF-2B	21~32
CBD2-F204.1	4.1	21	25	4000	63	107	3/4-16-UNF-2B	9/16-18-UNF-2B	21~32
CBD2-F205.1	5.1	21	25	4000	64.5	110	3/4-16-UNF-2B	9/16-18-UNF-2B	21~32
CBD2-F206.1	6.1	20	24	4000	66	113	3/4-16-UNF-2B	9/16-18-UNF-2B	21~32
CBD2-F207.4	7.4	17	20	4000	68	117	7/8-14-UNF-2B	3/4-16-UNF-2B	21~32
CBD2-F209.1	9.1	16	19	3000	70.5	122	7/8-14-UNF-2B	3/4-16-UNF-2B	21~32
CBD2-F210.8	10.8	14	17	3000	73	127	7/8-14-UNF-2B	3/4-16-UNF-2B	21~32
CBD2-F213.5	13.5	13	16	3000	77	135	7/8-14-UNF-2B	3/4-16-UNF-2B	21~32

CBD-F*-** SERIES GEAR PUMP



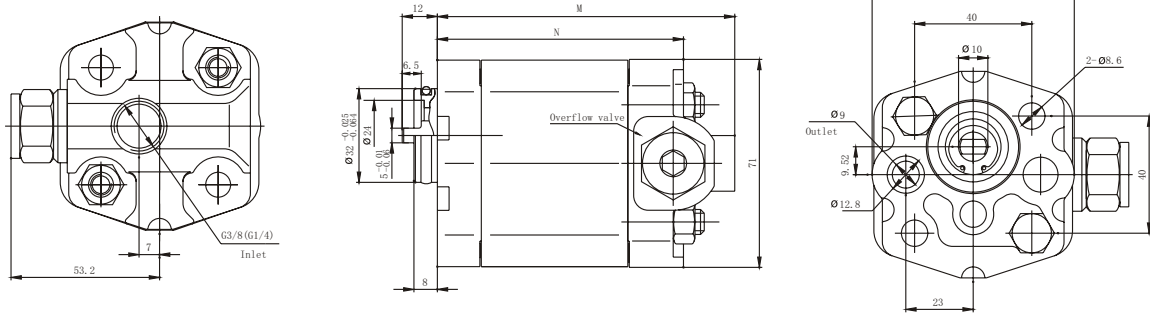
Model	Disp. (Ml/r)	Pressure (MPa)		Speed (r/min)	
		Rated	Max.	Rated	Max.
CBD-F2	2	21	25	3000	3500
CBD-F3	3	21	25	3000	3500
CBD-F4	4	21	25	3000	3500
CBD-F5	5	21	25	3000	3500
CBD-F6	6	21	25	3000	3500
CBD-F8	8	21	25	3000	3500
CBD-F9	9	17.5	21	2500	3000
CBD-F11	11	17.5	21	2500	3000
CBD-F12	12	17.5	21	2500	3000

CBD-F2*V SERIES GEAR PUMP

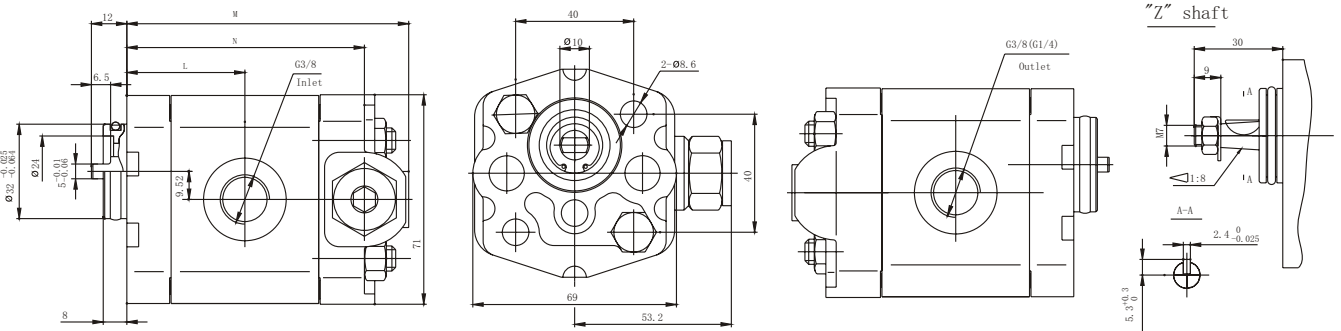


- CB D - F 2 * * * * - * *
- Gear Pump
 - Structure code
 - Pressure Grade
 - Gear Module: m=2
 - Nominal Discharge ml/r
 - 0.8, 1.1, 1.3,
 - 1.6, 1.8, 2.1, 2.7, 3.2, 3.7,
 - 4.2, 4.8, 5.8, 6.0, 7.0, 8.0
 - Oil outlet
 - A:Front outlet C:Side outlet.
 - Oil in
 - A:Front inlet B:Back inlet C:Side inlet.
 - Rotation None-Clockwise
 - L-Anticlockwise
 - Shaft extension
 - Z: Taper Shaft B Flat key shaft
 - Oil In/outlet Flange connection:
 - Oil In/outlet Thread :
 - L2:In G1/4; Out Straight hole with sealing seat
 - L0:Side Inlet Side Outlet
 - L1:In G3/8; Out Straight hole with sealing seat
 - L4:In G3/8; Out G3/8

CBD-F2-BA-V



CBD-F2*L*-CC-V

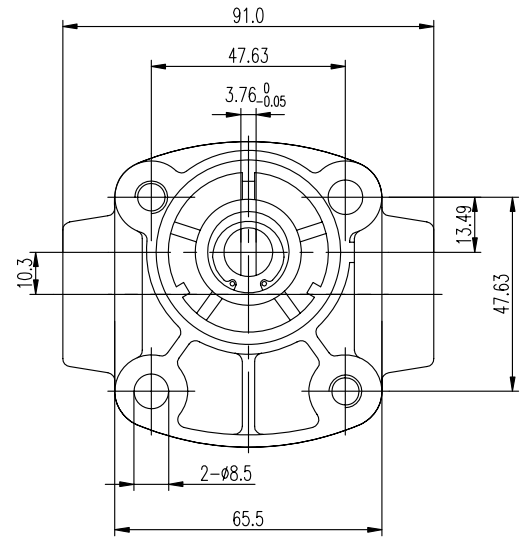
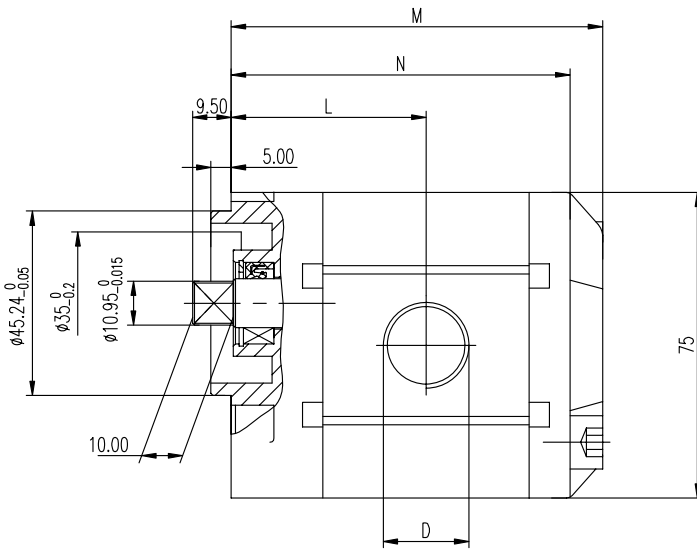


Model	Disp. (ml/r)	Pressure (MPa)		Speed (r/min)			M (mm)	N (mm)	L (mm)
		Rated	Max.	Rated	Max.	Min.			
CBD-F200.8-V	0.8	23	27	2000	6000	600	81.5	65.5	32.75
CBD-F201.1-V	1.1	23	27	2000	6000	600	82	66	33
CBD-F201.3-V	1.3	23	27	2000	6000	600	83	67	33.5
CBD-F201.6-V	1.6	23	27	2000	6000	600	84	68	34
CBD-F201.8-V	1.8	23	27	2000	6000	600	85	69	34.5
CBD-F202.1-V	2.1	23	27	2000	6000	600	86	70	35
CBD-F202.7-V	2.7	23	27	2000	6000	600	88	72	36
CBD-F203.2-V	3.2	21	25	2000	5000	600	90	74	37
CBD-F203.7-V	3.7	21	25	2000	4500	600	92	76	38
CBD-F204.2-V	4.2	21	25	2000	4000	600	94	78	39
CBD-F204.8-V	4.8	19	23	2000	3500	600	96	80	40
CBD-F205.8-V	5.8	19	23	2000	3000	600	100	84	42
CBD-F206.0-V	6.0	16	20	2000	2100	600	101	85	42.5
CBD-F207.0-V	7.0	16	20	2000	2100	600	104	88	44
CBD-F208.0-V	8.0	16	20	2000	2100	600	108	95	46

CBD3-Fd*B3*



CB Gear Pump
D3 Structure code
- F Pressure Grade: 20MPa
d Gear Module: $m=1.75$
***** Rotation None-Clockwise
***** L-Anticlockwise
B3 Shaft: B3 Flat key shaft
***** Oil in/outlet Thread connection
 L5: inlet G1/2; Outlet G1/2
 L24: inlet G1/2 NPT; Outlet G1/2 NPT
 Nominal Discharge ml/r:
 0.8, 1.2, 1.6, 2.0, 2.5, 3.2, 4.3, 5.8



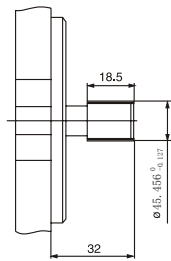
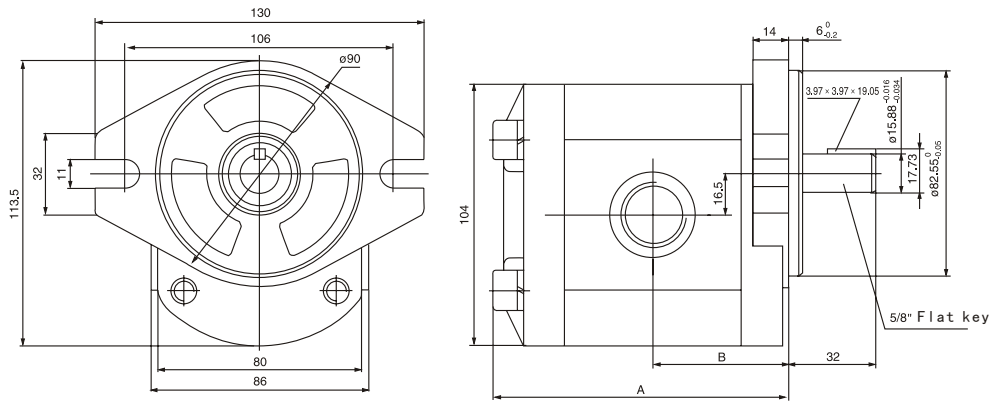
Model	Disp. (ml/r)	Pressure (MPa)			Max. Speed (r/min)	M	N	L	D
		P1	P2	P3					
CBD3-Fd0.8	0.8	23	25	27	6000	81.8	73.8	43.1	1/2NPT G1/2
CBD3-Fd1.2	1.2	23	25	27	6000	83.4	75.4	43.9	1/2NPT G1/2
CBD3-Fd1.6	1.6	23	25	27	6000	84.6	76.6	44.5	1/2NPT G1/2
CBD3-Fd2.0	2.0	23	25	27	6000	86.6	78.6	45.5	1/2NPT G1/2
CBD3-Fd2.5	2.5	23	25	27	6000	88.6	80.6	46.5	1/2NPT G1/2
CBD3-Fd3.2	3.2	23	25	27	6000	91.1	83.1	47.8	1/2NPT G1/2
CBD3-Fd4.3	4.3	21	23	25	5000	95.1	87.1	49.8	1/2NPT G1/2
CBD3-Fd5.8	5.8	21	23	25	5000	101.1	93.1	52.8	1/2NPT G1/2

CBD-F3 SERIES GEAR PUMP

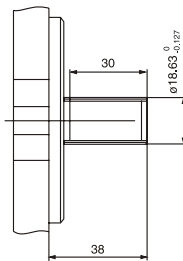


CB D -F 3 ** L * *
 Gear Pump
 Structure code
 Pressure Grade: 20MPa
 Gear Module: m=3
 Nominal Discharge ml/r:
 6, 8, 10, 12, 14, 16, 20, 25

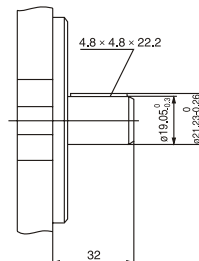
Rotation: None-Clockwise
 L-Anticlockwise
 Shaft:
 P1-5/8" Flat Key
 P-3/4" Flat Key
 S7-SAE9 spline key
 S2-SAE11 spline key
 Oil in/outlet Thread connection
 L7: inlet 7/8-14; Outlet 3/4-16
 L8: inlet 1-5/16-12; Outlet 1-1/16-12



SAE 9 spline



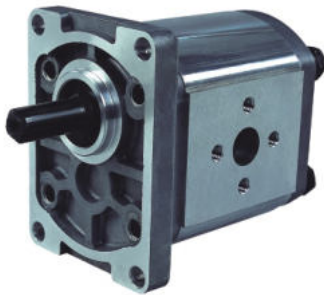
SAE 11 spline



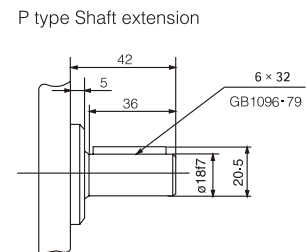
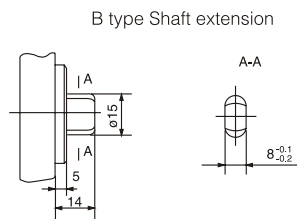
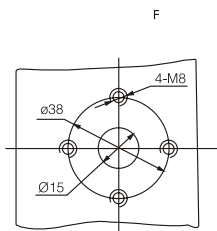
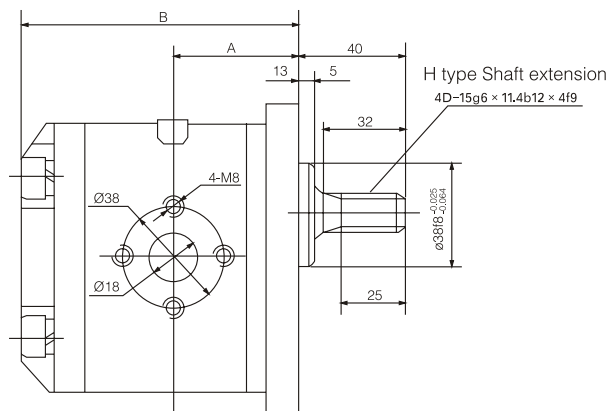
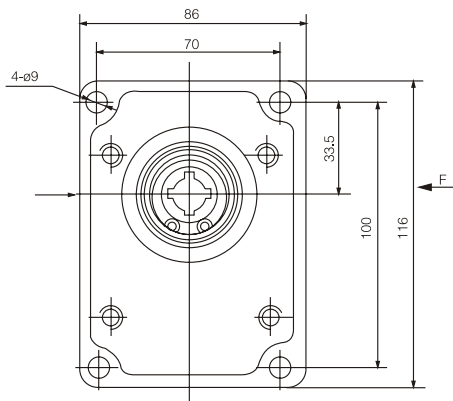
3/4" Flat key

Model	Disp. (ML/R)	Pressure (MPa)		Speed (r/min)			A (mm)	B (mm)	M	
		Rated	Max.	Rated	Max.	Min.			(Inlet)	(Outlet)
CBD-F306	6	20	25	2000	3000	600	103	45	7/8-14	3/4-16
CBD-F308	8	20	25	2000	3000	600	106.5	47	7/8-14	3/4-16
CBD-F310	10	20	25	2000	3000	600	109	48	7/8-14	3/4-16
CBD-F312	12	20	25	2000	3000	600	113	50	1-5/16-12	1-1/16-12
CBD-F314	14	20	25	2000	3000	600	115	51	1-5/16-12	1-1/16-12
CBD-F316	16	16	20	2000	3000	600	119	52.5	1-5/16-12	1-1/16-12
CBD-F320	20	16	20	2000	3000	600	125	56	1-5/16-12	1-1/16-12
CBD-F325	25	16	20	2000	3000	600	133	60	1-5/16-12	1-1/16-12

CBT-F3 SERIES GEAR PUMP

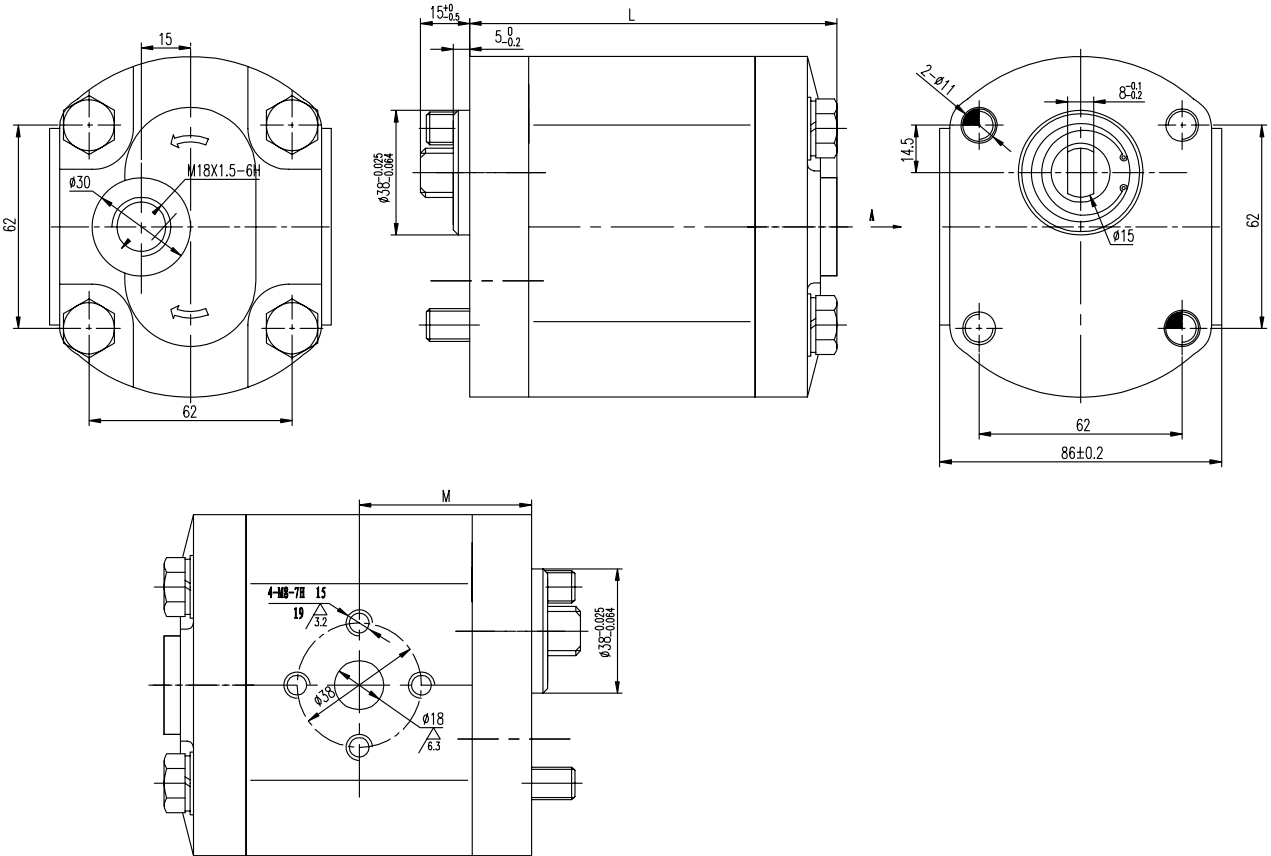
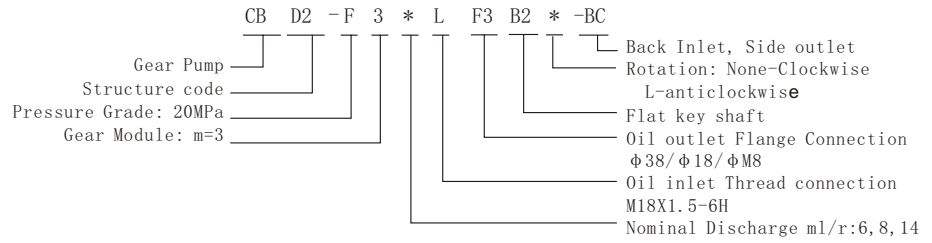


<p style="text-align: center; margin: 0;">CB T - F 3 ** F * *</p> <p style="margin: 5px 0 0 20px;">Gear Pump └──┬──┘</p> <p style="margin: 5px 0 0 20px;">Structure code └──┬──┘</p> <p style="margin: 5px 0 0 20px;">Pressure Grade: 20MPa └──┬──┘</p> <p style="margin: 5px 0 0 20px;">Gear Module: m=3 └──┬──┘</p> <p style="margin: 5px 0 0 20px;">Nominal Discharge ml/r: 6, 8, 10, 12, 14, 16, 20, 25 └──┬──┘</p>	<p>Rotation: None-Clockwise L-Anticlockwise</p> <p>Shaft extension: "P": Flat key shaft "B": Rectangular shaft "H": Rectangle spline shaft "S": Flat cone shaft</p> <p>Oil In/outlet Flange Connection Inlet: $\phi 38/\phi 18/M6$ Outlet: $\phi 38/\phi 15/M6$</p>
---	---



Model	Disp. (ML/r)	Pressure (MPa)		Speed (r/min)			A (mm)	B (mm)
		Rated	Max.	Rated	Max.	Min.		
CBT-F306	6	20	25	2000	3000	600	47	103
CBT-F308	8	20	25	2000	3000	600	49	106.5
CBT-F310	10	20	25	2000	3000	600	50	109
CBT-F312	12	20	25	2000	3000	600	52	113
CBT-F314	14	20	25	2000	3000	600	53	115
CBT-F316	16	20	25	2000	3000	600	54.5	118
CBT-F320	20	20	25	2000	3000	600	58	125
CBT-F325	25	20	25	2000	3000	600	62	133

CBD2-F3*LF3B2* SERIES GEAR PUMP



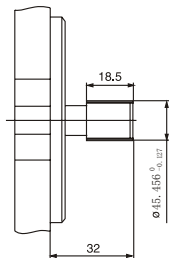
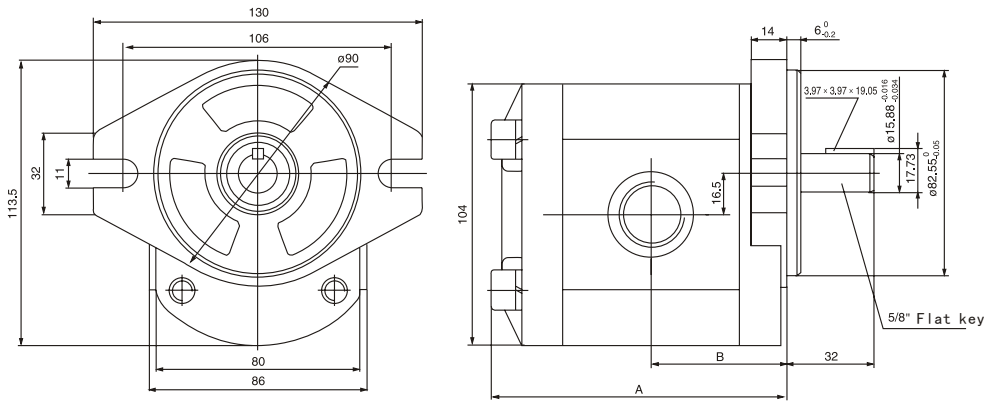
Model	Disp (ml/r)	Pressure (Mpa)		Speed (r/min)		L	M
		Rated	Max.	Rated	Max.		
CBD2-F306	6	20	25	2000	3000	96.5	45
CBD2-F314	14	20	25	2000	3000	108.5	51
CBD2-F308	8	20	25	2000	3000	100	46.8
CBD2-F312	12	20	25	2000	3000	121.6	50

CBDs-F3 SERIES GEAR PUMP

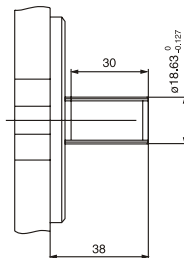


Gear Pump CB Ds -F 3 ** L * *
 Structure code
 Pressure Grade: 20MPa
 Gear Module: m=3
 Nominal Discharge ml/r:
 6, 8, 10, 12, 14, 16, 20, 25

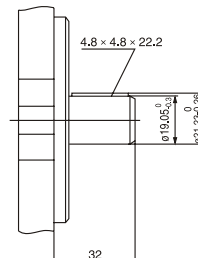
Rotation: None-Clockwise
 L-anticlockwise
 Shaft:
 P1-5/8" Flat key
 P2-3/4" Flat key
 S7-SAE9 spline
 S2-SAE11 spline
 Oil in/outlet Thread connection



SAE 9 spline



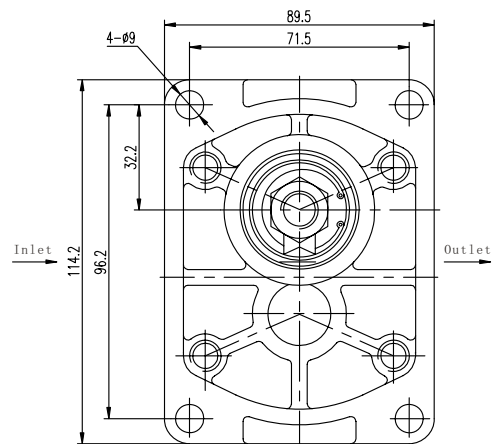
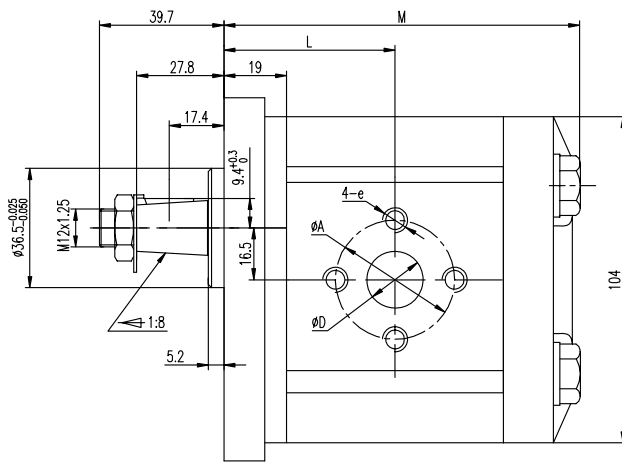
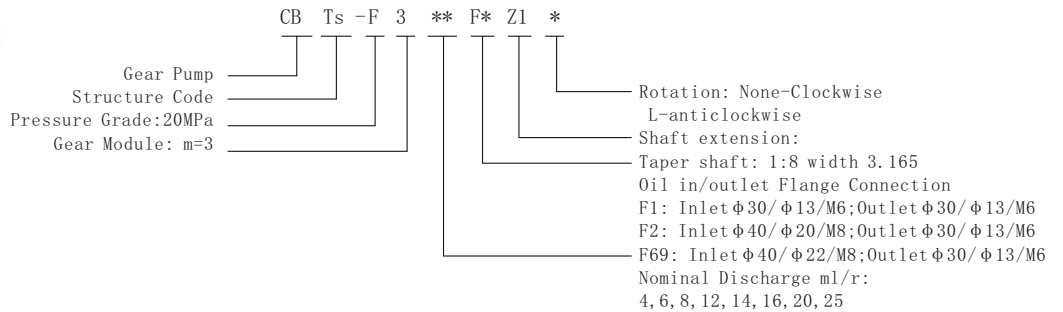
SAE 11 spline



3/4" Flat key

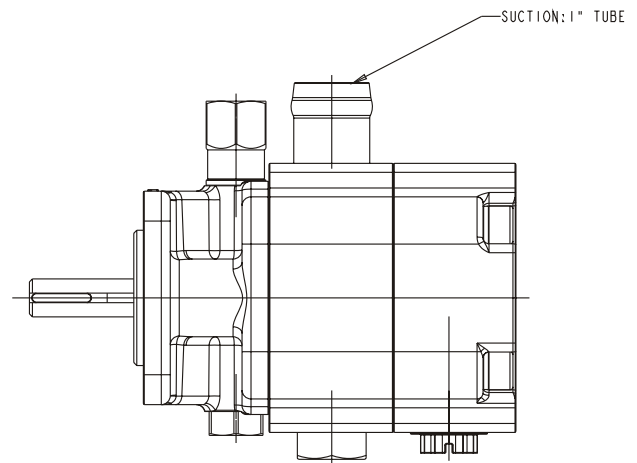
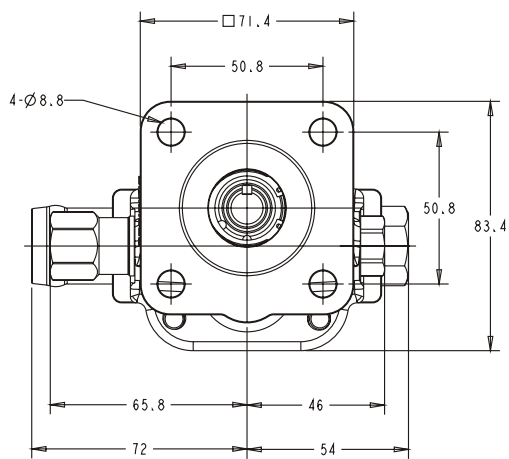
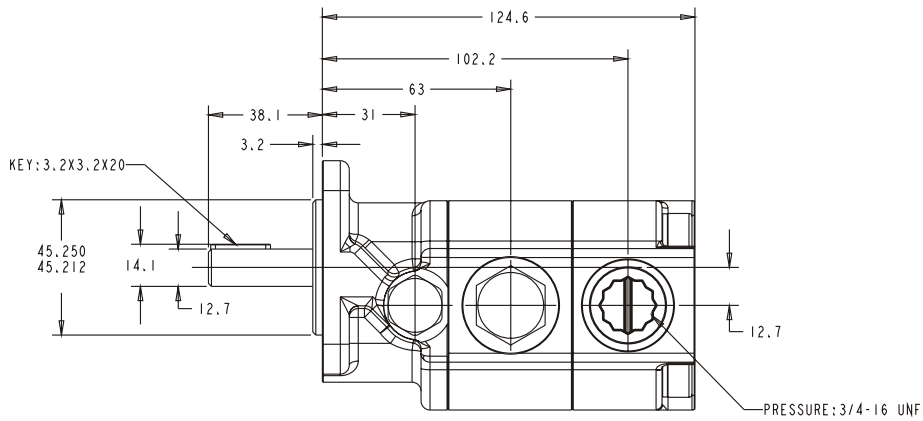
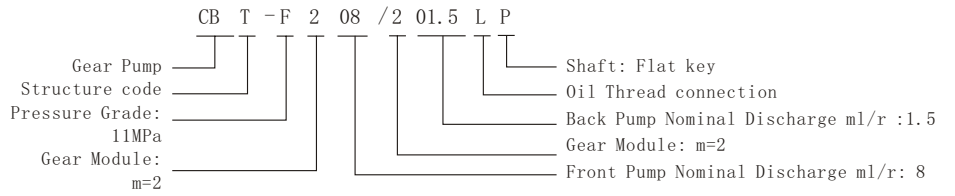
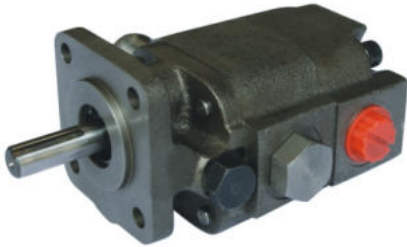
Model	Disp. (ml/r)	Pressure (MPa)		Speed (r/min)		A	B	M Oil In	N OilOut
		Rated	Max.	Rated	Max.				
CBDs-F304	4	20	25	2000	3000	96	44	G1/2	G1/2
CBDs-F306	6	20	25	2000	3000	98	45	G1/2	G1/2
CBDs-F308	8	20	25	2000	3000	101.5	46.75	G1/2	G1/2
CBDs-F310	10	20	25	2000	3000	104	48	G3/4	G1/2
CBDs-F312	12	20	25	2000	3000	108	50	G3/4	G1/2
CBDs-F314	14	20	25	2000	3000	110	51	G3/4	G1/2
CBDs-F316	16	20	25	2000	3000	114	53	G3/4	G1/2
CBDs-F320	20	20	25	2000	3000	120	56	G3/4	G1/2
CBDs-F325	25	20	25	2000	3000	128	60	G3/4	G1/2

CBTs-F3 SERIES GEAR PUMP



Model	Disp (ml/r)	Pressure (Mpa)		Speed (r/min)		L	M	Inlet			Outlet		
		Rated	Max.	Rated	Max.			a	b	D	a	b	D
CBTs-F304	4	20	25	2000	3000	45	93	13	30	M6	13	30	M6
CBTs-F306	6	20	25	2000	3000	46	95	13	30	M6	13	30	M6
CBTs-F308	8	20	25	2000	3000	48	98	13	30	M6	13	30	M6
CBTs-F310	10	20	25	2000	3000	49	101	20	40	M8	13	30	M6
CBTs-F312	12	20	25	2000	3000	51	105	20	40	M8	13	30	M6
CBTs-F314	14	20	25	2000	3000	52	107	20	40	M8	13	30	M6
CBTs-F316	16	20	25	2000	3000	54	111	20	40	M8	13	30	M6
CBTs-F320	20	20	25	2000	3000	57	117	20	40	M8	13	30	M6
CBTs-F325	25	20	25	2000	3000	61	125	22	40	M8	13	30	M6

CBT-F208/201.5LP SERIES GEAR PUMP



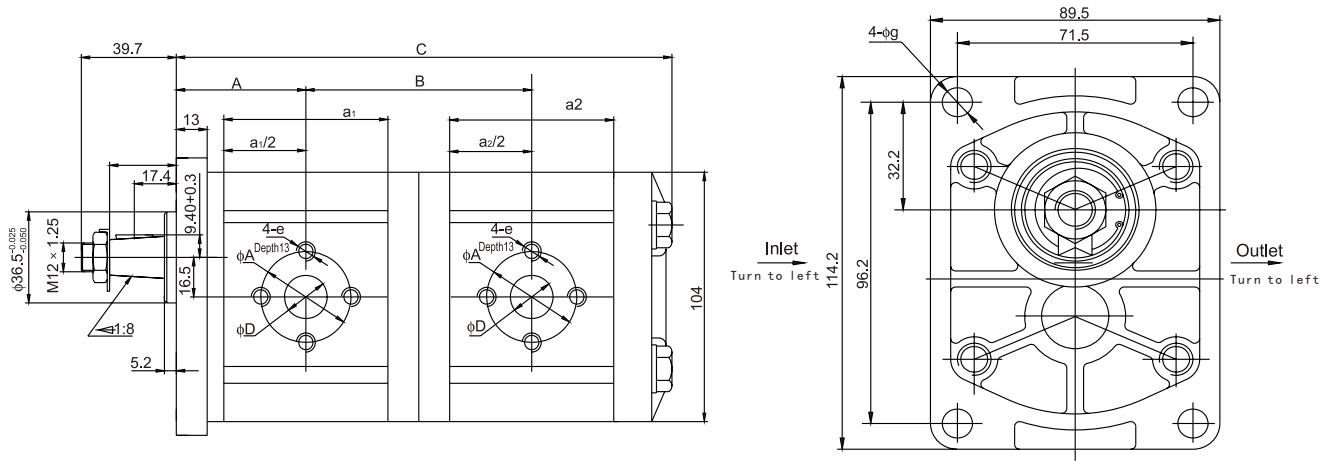
Model	Disp (ML/r)	Max. Pressure (Mpa)	Max. Speed (r/min)	(Mpa)
CBT-F208/201.5LP	8/1.5	3.45/11	3600	3.45

CBTs-F3**/3**SERIES GEAR PUMP



CB	Ts-F	3	**	/3**	F1	Z1	*	
①	②	③	④	⑤	⑥	⑦	⑧	⑨

- ① Gear Pump
- ② Structure Code
- ③ Pressure Grade: 20 Mpa
- ④ Gear Module: m=3
- ⑤ Front Pump Nominal Discharge ml/r: 4,6,8,12,14,16,20,25
- ⑥ Back Pump Nominal Discharge ml/r: 4,6,8,12,14,16,20,25
- ⑦ Oil In/outlet Flange connection
- ⑧ Taper Shaft
- ⑨ Rotation: None-clockwise L-anticlockwise



Discharge ml/r	A1, a2 Size	Inlet			Outlet		
		ΦD	ΦA	Φe	ΦD	ΦA	Φe
4	52	13	30	M6	13	30	M6
6	54	13	30	M6	13	30	M6
8	57.5	13	30	M6	13	30	M6
10	60	20	40	M8	13	30	M6
12	64	20	40	M8	13	30	M6
14	66	20	40	M8	13	30	M6
16	70	20	40	M8	13	30	M6
20	76	20	40	M8	13	30	M6
25	84	22	40	M8	13	30	M6

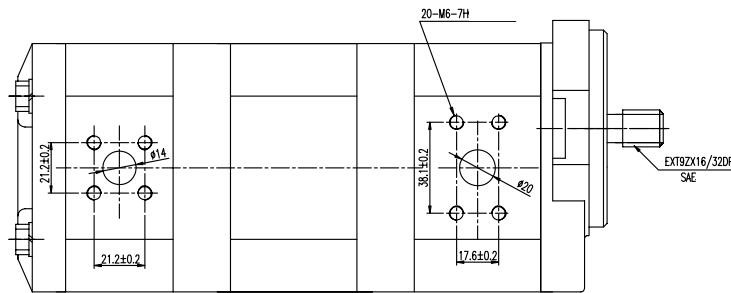
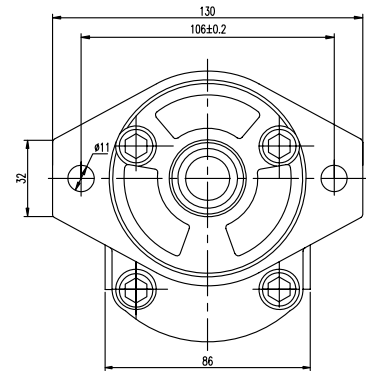
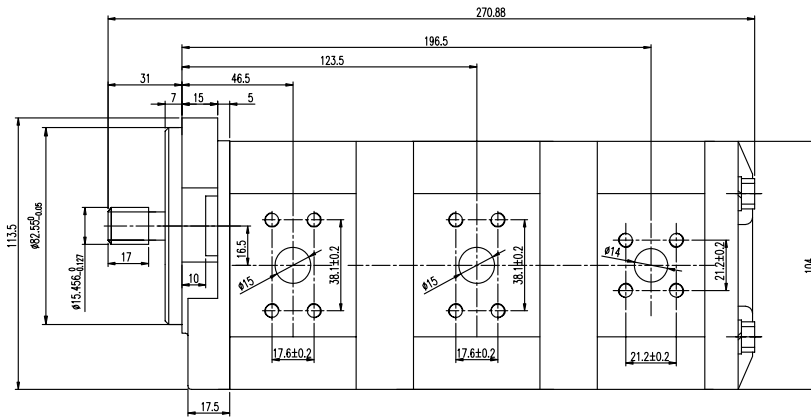
Model	Size A	Size B	Size C
CBT-F3**/**F1Z1*	19+a1/2	26+a1/2+a2/2	68.5+a1+a2

CBD-F3**/3**/3** SERIES GEAR PUMP



CB D - F 3 ** / 3 ** / 3 ** F S7
 ① ② ③ ④ ⑤ ⑥ ⑦ ⑧ ⑨ ⑩ ⑪

- ① Gear pump
- ② Structure code
- ③ Pressure Grade :20 Mpa
- ④ Gear module:m=3
- ⑤ Front pump nominal discharge ml/r:8.2
- ⑥ Gear module:m=3
- ⑦ Middle pump nominal discharge ml/r:8.2
- ⑧ Gear module:m=3
- ⑨ Rear pump nominal discharge ml/r:3.2
- ⑩ Oil In/outlet Flange connection
- ⑪ S7-9 spline 16/32, 9Z



Disp (Ml/r)	a1、a2、a3 Size(mm)	Rated Pressure (Mpa)	Max. Pressure (Mpa)	Rated Speed (r/min)	Max. Speed (r/min)	A	B	C	D
4	48.1	16	20	2200	2400	20+a1/2	20.5+a1/2+a2/2	20.5+a2/2+a3/2	82+a1+a2+a3
6	50.1	16	20	2200	2400	20+a1/2	20.5+a1/2+a2/2	20.5+a2/2+a3/2	82+a1+a2+a3
8	53.6	16	20	2200	2400	20+a1/2	20.5+a1/2+a2/2	20.5+a2/2+a3/2	82+a1+a2+a3
10	56.1	16	20	2200	2400	20+a1/2	20.5+a1/2+a2/2	20.5+a2/2+a3/2	82+a1+a2+a3
12	60.1	16	20	2200	2400	20+a1/2	20.5+a1/2+a2/2	20.5+a2/2+a3/2	82+a1+a2+a3

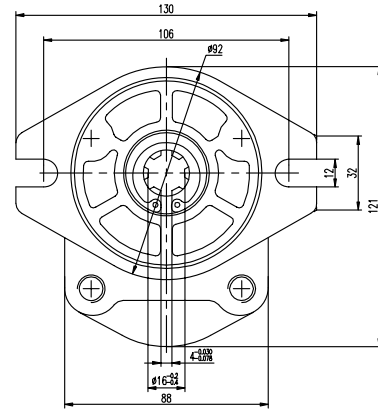
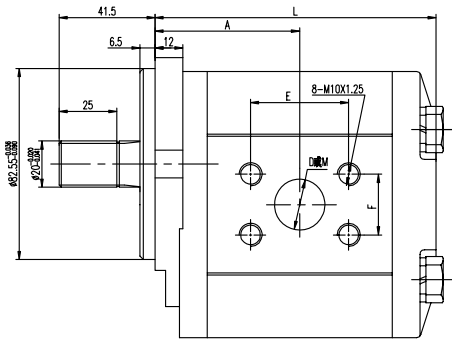
CBDa-F4 SERIES GEAR PUMP



CB Da -F 4 ** * * *
 ① ② ③ ④ ⑤ ⑥ ⑦ ⑧

- ① Gear Pump
- ② Structure code
- ③ Pressure Grade: 20MPa
- ④ Gear Module: m=4
Nominal Discharge ml/r:
10, 16, 25, 26.5, 30, 32, 40
- ⑤ Oil In/outlet Flange connection
F41: In 47.6×22.2×φ18\M10
Out 47.6×22.2×φ14\M10
F42: In 52.4×26.2×φ26\M10
Out 47.6×26.2×φ20\M10

- ⑥ Oil In/outlet Thread:
L6: In G3/4 Out G1/2;
L25: In G1/2 Out G3/4
Oil In/outlet Thread:
L21: In M22×1.5 Out M18×1.5
L19: In M33×2 Out M27×2
- ⑦ P7: Flat key shaft
H2: Rectangle spline shaft (four teeth)
H3: Rectangle spline shaft (six teeth)
J: Involute spline shaft
S5: Involute spline shaft
- ⑧ Rotation: None-Clockwise
L-anticlockwise

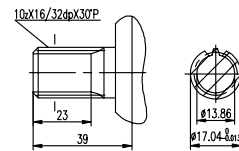
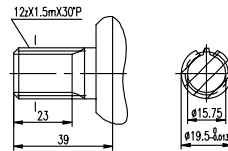
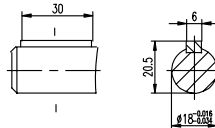
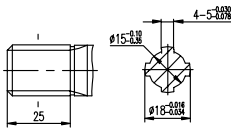


H2
CBDa-F4***H2*

P7
CBDa-F4***P7*

J
CBDa-F4***J*

S5
CBDa-F4***S5*



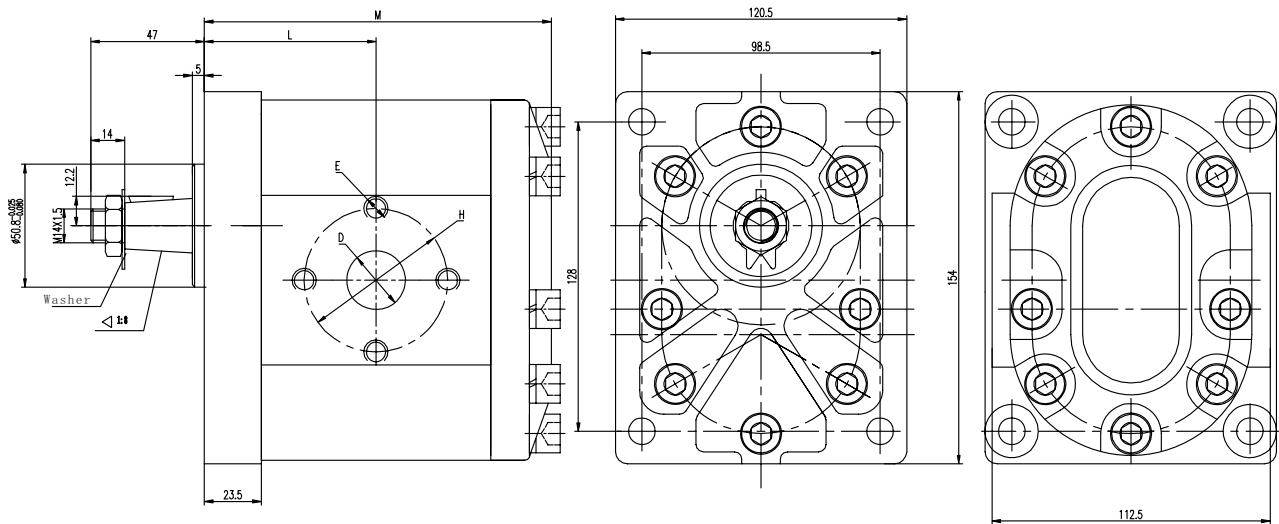
Model	Disp. (ml/r)	Pressure (Mpa)		Speed (r/min)	L	A
		Rated	Max.	Max.		
CBDa-F410	10	20	25	3000	103.5	53.5
CBDa-F416	16	20	25	3000	109.5	36.5
CBDa-F425	25	20	25	3000	119.5	61.5
CBDa-F426.5	26.5	20	25	3000	121.5	62.5
CBDa-F430	30	20	25	3000	126	64.75
CBDa-F432	32	20	25	3000	128.5	66
CBDa-F440	40	20	25	3000	137.5	70.5

CBD1-F5 SERIES GEAR PUMP



CB D1 - F 5 ** * Z2 *
 Gear Pump
 Series Code
 Pressure Grade: 20MPa
 Gear Module: m=5
 Nominal Discharge ml/r:
 20, 22, 26, 33, 39, 46, 52, 55, 63

Rotation: None-Clockwise
 L-Anticlockwise
 Shaft extension:
 Z2: Taper Shaft
 Oil In/outlet Flange Connection
 F36: In: $\varnothing 56 \times M10 \times \varnothing 27$ Out: $\varnothing 56 \times M10 \times \varnothing 19$
 F37: In: $\varnothing 51 \times M10 \times \varnothing 27$ Out: $\varnothing 51 \times M10 \times \varnothing 27$
 F38: In: $\varnothing 56 \times M10 \times \varnothing 27$ Out: $\varnothing 56 \times M10 \times \varnothing 27$
 F39: In: $\varnothing 62 \times M10 \times \varnothing 33$ Out: $\varnothing 51 \times M10 \times \varnothing 27$



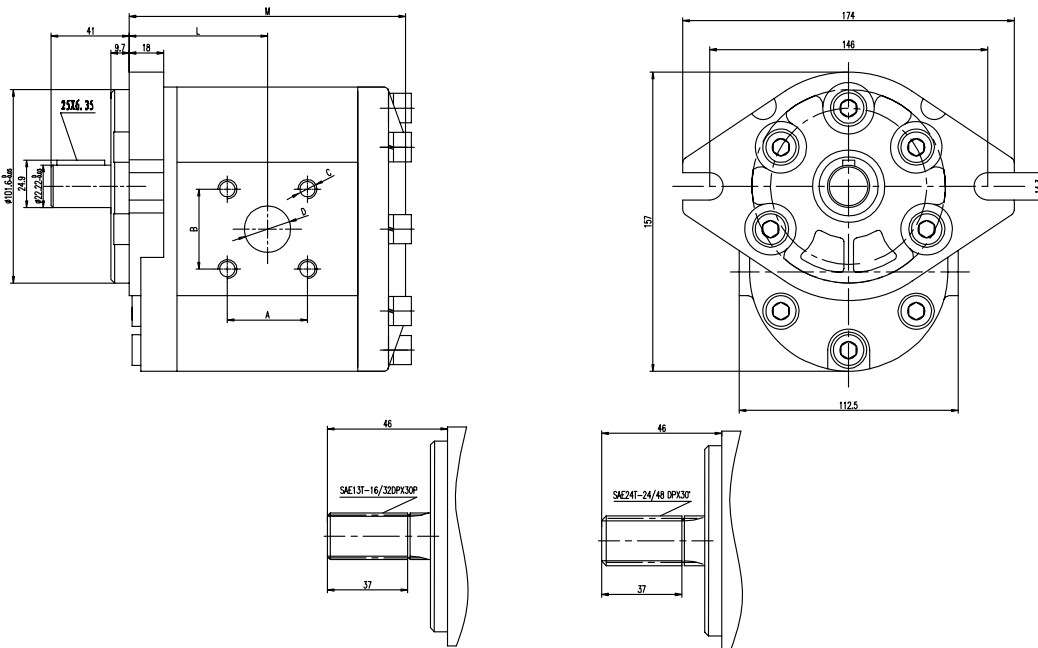
Model	Disp. (ml/r)	Pressure (Mpa)		Max. Speed (r/min)	M	L	Inlet		Outlet		E
		Rated	Max.				D	H	D	H	
CBD1-F520	20	20	25	3000	119	58.75	27	56	19	56	M10
CBD1-F522	22	20	25	3000	120	59.25	27	56	19	56	M10
CBD1-F526	26	20	25	3000	123.5	61	27	56	19	56	M10
CBD1-F533	33	20	25	3000	128.5	63.5	27	56	19	56	M10
CBD1-F539	39	20	25	3000	132.5	65.5	27	56	19	56	M10
CBD1-F546	46	20	25	3000	138	68.25	27	51	27	51	M10
CBD1-F552	52	20	25	3000	141.5	70	27	56	27	56	M10
CBD1-F555	55	20	25	3000	143	70.25	33	62	27	51	M10
CBD1-F563	63	20	25	3000	149.5	74	33	62	27	51	M10

CBD2-F5 SERIES GEAR PUMP



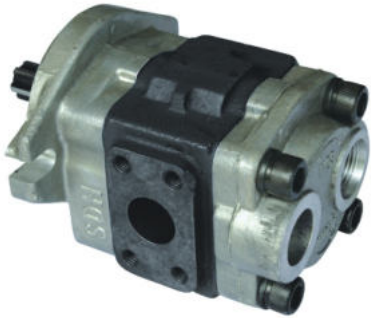
CB
D2
-F
5
**
*
*
*

<p>Gear Pump</p> <p>Series Code</p> <p>Pressure Grade: 20MPa</p> <p>Gear Module: m=5</p> <p>Nominal Discharge ml/r: 20, 22, 26, 33, 39, 46, 52, 55, 63, 70</p>	<p>Rotation: None-Clockwise L-Anticlockwise</p> <p>Shaft extension P6-Flat key shaft S4-involute spline shaft (thirteen teeth) S8-involute spline shaft (eighteen teeth)</p> <p>Oil In/outlet Flange Connection</p> <p>F33: In 52.37×26.19×φ25\3/8 Out 47.63×22.23×φ19\3/8</p> <p>F34: In 52.37×26.19×φ27\3/8 Out 47.63×22.23×φ19\3/8</p> <p>F35: In 58.78×30.2×φ33\7/16 Out 52.37×26.19×φ27\3/8</p>
--	--

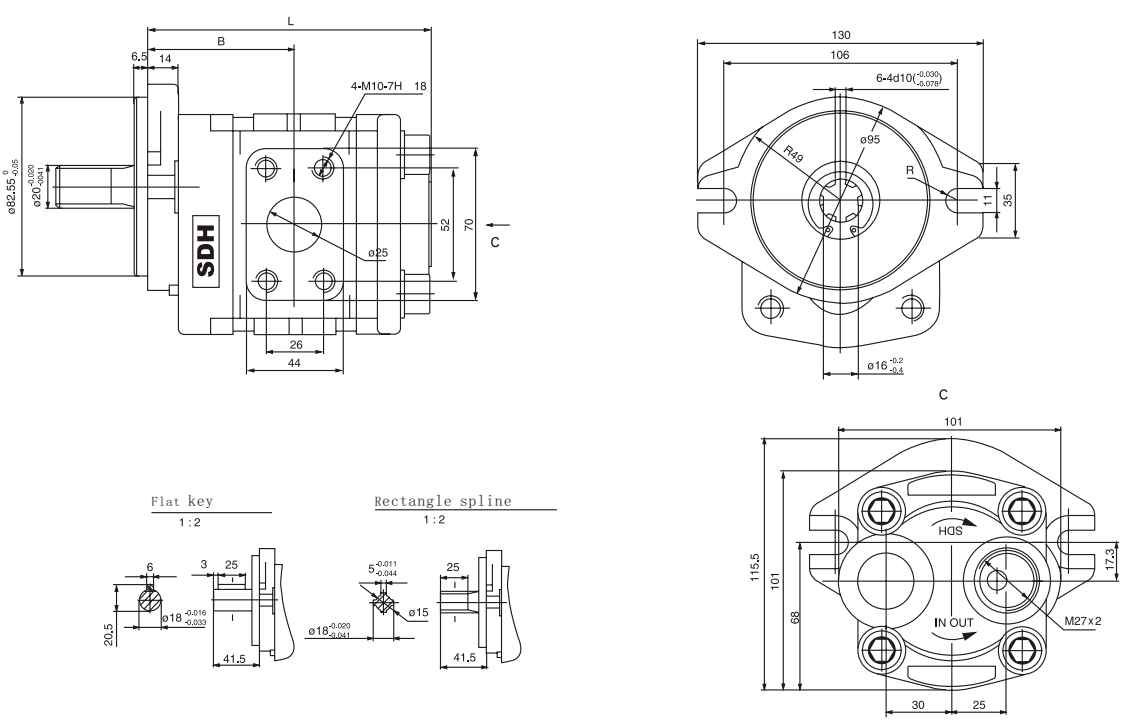


Model	Disp. (ml/r)	Pressure (Mpa)		Max. Speed (r/min)	M	L	Inlet				Outlet			
		Rated	Max.				A	B	C	D	A	B	D	C
CBD2-F520	20	20	25	3000	60.25	119.5	26.19	52.37	3/8-16 UNC	25	22.23	47.63	19	1/8-16 UNC
CBD2-F522	22	20	25	3000	60.75	120.5	26.19	52.37	3/8-16 UNC	25	22.23	47.63	19	1/8-16 UNC
CBD2-F526	26	20	25	3000	62.5	124	26.19	52.37	3/8-16 UNC	25	22.23	47.63	19	1/8-16 UNC
CBD2-F533	33	20	25	3000	65	129	26.19	52.37	3/8-16 UNC	27	22.23	47.63	19	1/8-16 UNC
CBD2-F539	39	20	25	3000	67	133	26.19	52.37	3/8-16 UNC	27	22.23	47.63	19	1/8-16 UNC
CBD2-F546	46	20	25	3000	69.75	138.5	26.19	52.37	3/8-16 UNC	27	22.23	47.63	19	1/8-16 UNC
CBD2-F552	52	20	25	3000	71.5	142	26.19	52.37	3/8-16 UNC	27	22.23	47.63	19	1/8-16 UNC
CBD2-F555	55	20	25	3000	72.25	143.5	30.2	58.7	7/16-14 UNC	33	22.23	52.37	27	3/8-16 UNC
CBD2-F563	63	20	25	3000	75.5	150	30.2	58.7	7/16-14 UNC	33	22.23	52.37	27	3/8-16 UNC
CBD2-F570	70	20	25	3000	78	155	30.2	58.7	7/16-14 UNC	33	22.23	52.37	27	3/8-16 UNC

CBD-F-CB SERIES GEAR PUMP

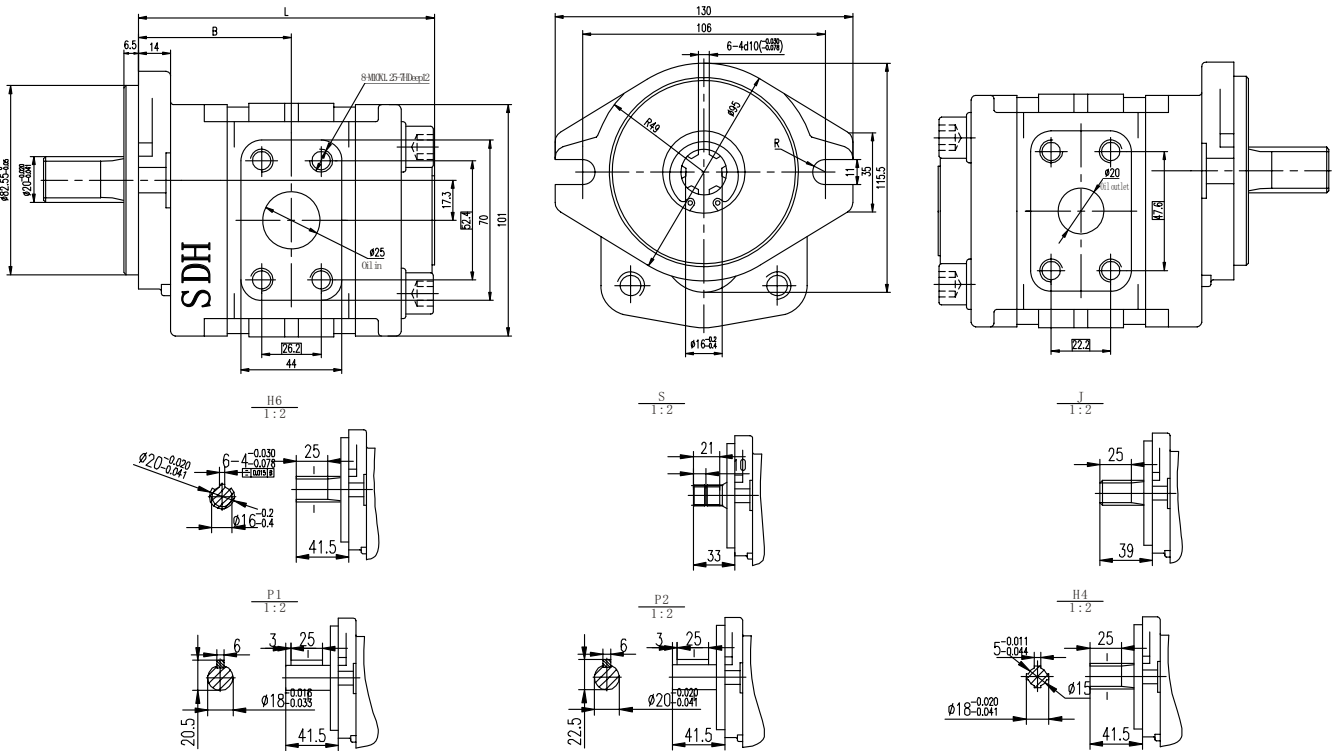
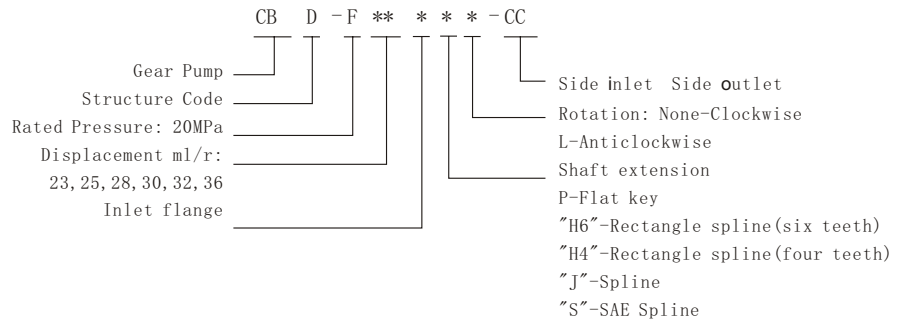
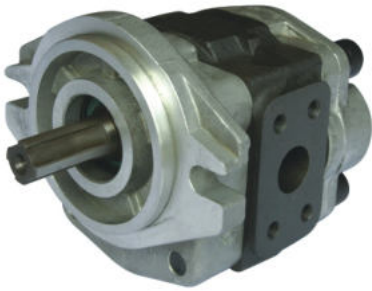


CB D - F ** * * * - CB
 Gear Pump — — — — — — —
 Structure Code — — — — — — —
 Rated Pressure: 20MPa — — — — — — —
 Displacement ml/r: — — — — — — —
 23, 25, 28, 30, 32, 36
 Inlet flange — — — — — — —
 Side In Back Outlet
 Rotation: None-Clockwise
 L-Anticlockwise
 Shaft extension:
 P-Flat key
 "H6"-Rectangle spline(six teeth)
 "H4"-Rectangle spline(four teeth)
 "J"-Spline
 "S"-SAE Spline



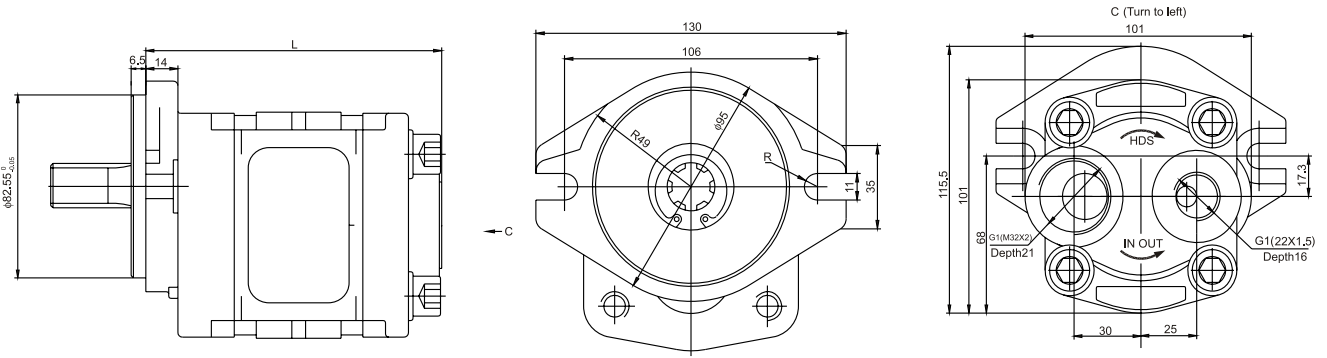
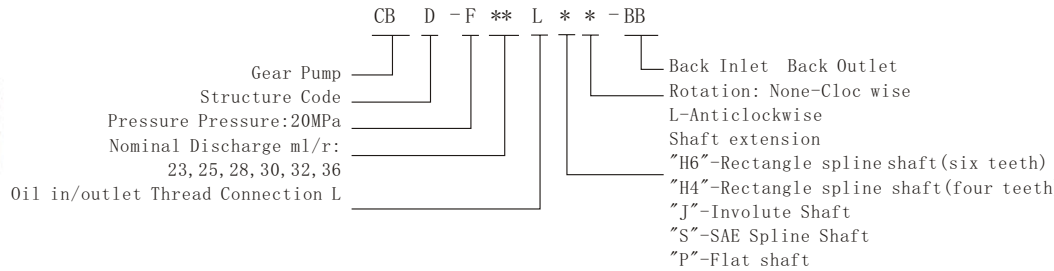
Model	Disp (ml/r)	Pressure (Mpa)		Speed (r/min)			L	B
		Rated	Max.	Rated	Max.	Min.		
CBD-F23	23	20	25	2500	3000	600	117	61
CBD-F25	25	20	25	2500	3000	600.	119.5	62
CBD-F28	28	20	25	2500	3000	600	123	64
CBD-F30	30	20	25	2500	3000	600	125.5	65
CBD-F32	32	20	25	2500	3000	600	128	66.5
CBD-F36	36	20	25	2500	3000	600	133	69

CBD-F-CC SERIES GEAR PUMP

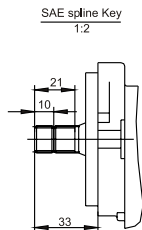


Model	Disp (ml/r)	Pressure (Mpa)		Speed (r/min)			L	B
		Rated	Max.	Rated	Max.	Min.		
CBD-F23	23	20	25	2500	3000	600	117	61
CBD-F25	25	20	25	2500	3000	600	119.5	62
CBD-F28	28	20	25	2500	3000	600	123	64
CBD-F30	30	20	25	2500	3000	600	125.5	65
CBD-F32	32	20	25	2500	3000	600	128	66.5
CBD-F36	36	20	25	2500	3000	600	133	69

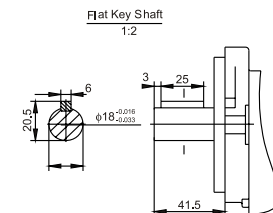
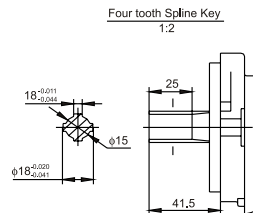
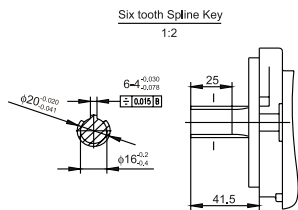
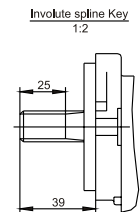
CBD-F-BB SERIES GEAR PUMP



Modulus	m	1.5
Gear number	Z	12
Angle	α D	30°
Dia	Dee	φ 19.5 ⁰ / _{-0.13}
Small dia	Die	φ 15.75 ⁰ / _{-0.10}

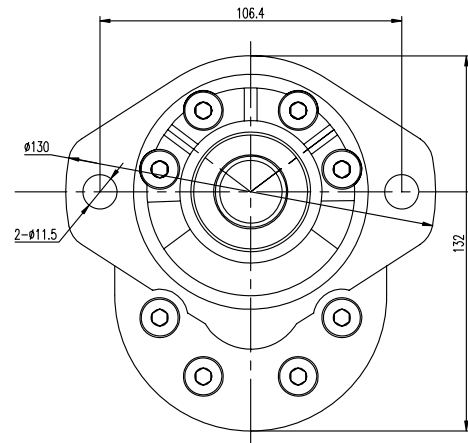
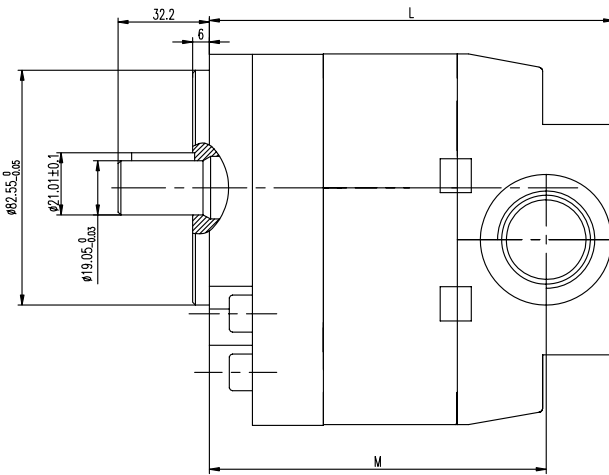
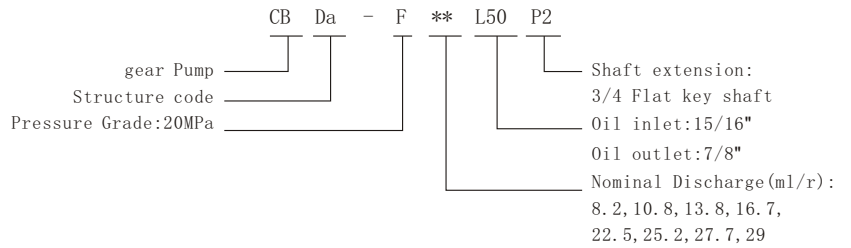


Modulus	m	10
Gear number	Z	16/32
Angle	α D	30°
Dia	Dee	φ 17 ^{+0.04} / _{-0.08}
Small dia	Die	φ 13.9 ⁰ / _{-0.10}



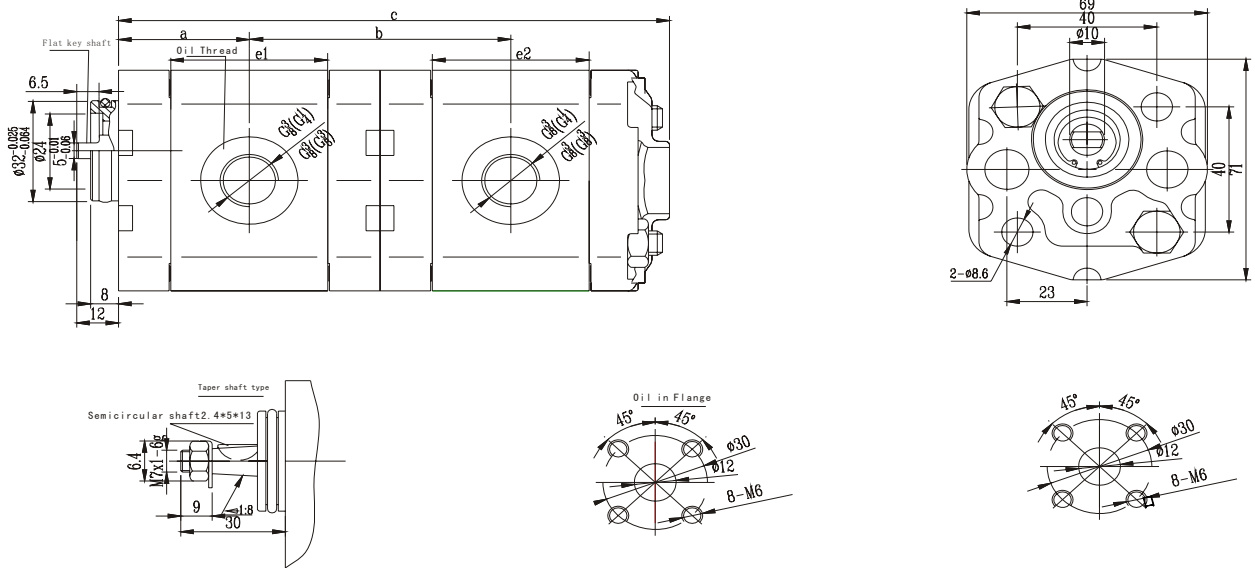
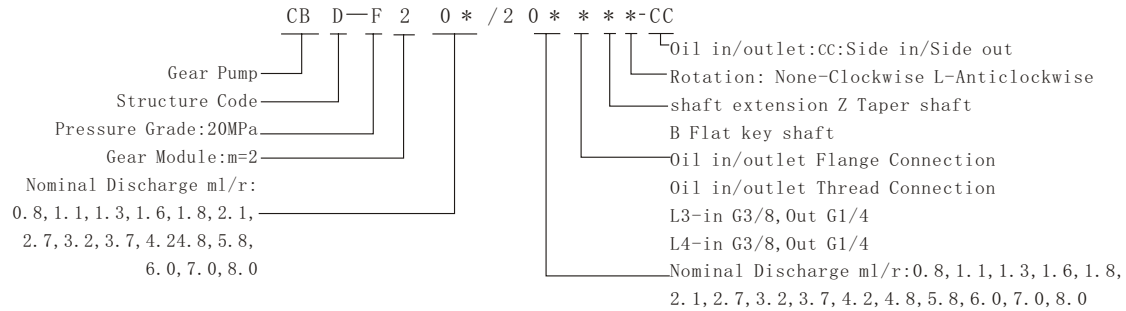
Model	Disp. (Ml/r)	Pressure (MPa)		Speed (r/min)		
		Rated	Max.	Rated	Max.	Min.
CBD-F23	23	20	25	2500	3000	600
CBD-F25	25	20	25	2500	3000	600
CBD-F28	28	20	25	2500	3000	600
CBD-F30	30	20	25	2500	3000	600
CBD-F32	32	20	25	2500	3000	600
CBD-F36	36	20	25	2500	3000	600

CBDa-F**L50P2 SERIES GEAR PUMP



Model	Disp. (Ml/r)	Pressure (Mpa)		Rated Speed (r/min)	L (mm)	M (mm)	Inlet	Outlet
		Rated	Max.					
CBDa-F8.2	8.2	20	23	3000	114	83	7/8"-14	15/16"-12
CBDa-F10.8	10.8	20	23	3000	117	86	7/8"-14	15/16"-12
CBDa-F13.8	13.8	20	23	3000	121	90	7/8"-14	15/16"-12
CBDa-F16.7	16.7	20	23	3000	124	93	7/8"-14	15/16"-12
CBDa-F22.5	22.5	20	23	3000	130.5	99.5	7/8"-14	15/16"-12
CBDa-F25.2	25.2	20	23	3000	134	103	7/8"-14	15/16"-12
CBDa-F27.7	27.7	20	23	3000	137	106	7/8"-14	15/16"-12
CBDa-F29	29	20	23	3000	138	107	7/8"-14	15/16"-12

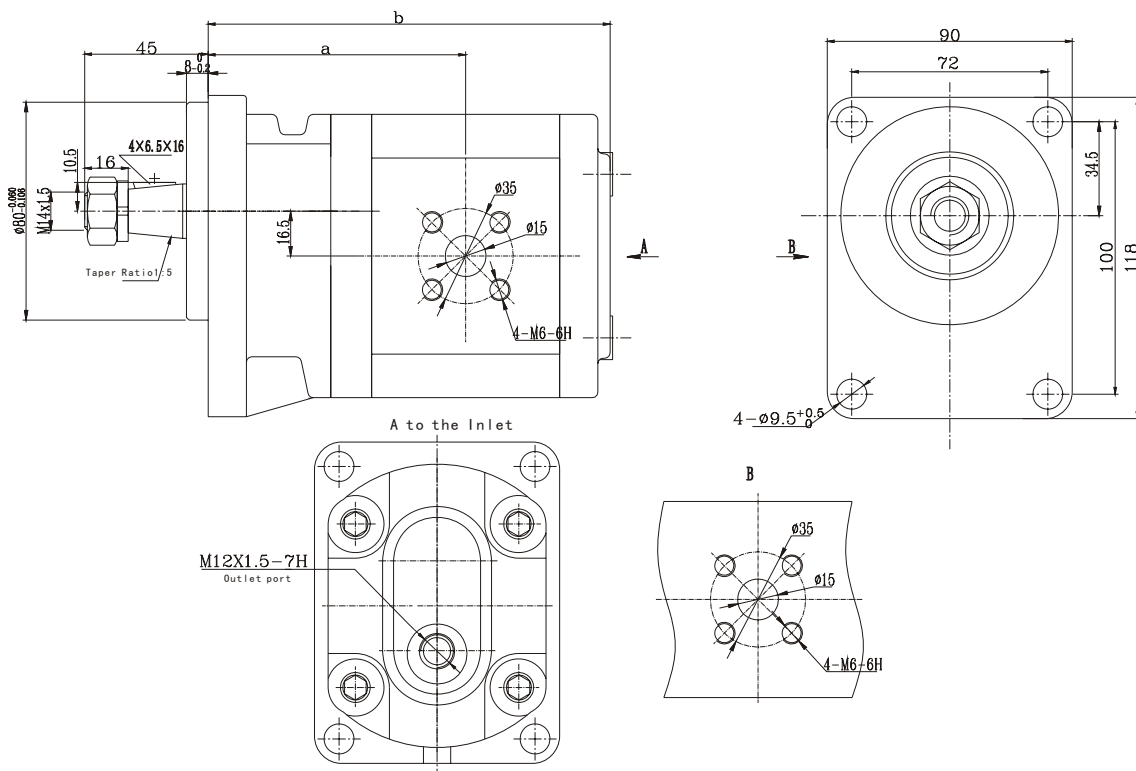
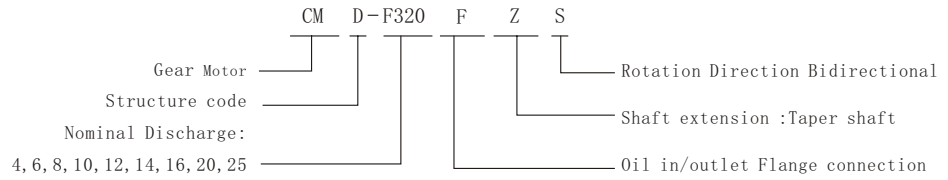
CBD1-F20*/20****-CC SERIES DOUBLE GEAR PUMP



Disp. (ml/r)	Pressure (Mpa)		Speed (r/min)		e1	e2	a	b	C
	Rated	Max.	Rated	Max.					
1.1	20	25	2500	5000	36.5	15+e1/2	30+e1/2 +e2/2	68+e1 +e2	
1.3					37.3				
1.6					38.6				
1.8					39.4				
2.1					40.6				
2.3					41.4				
2.5					42.2				
2.7					43				
3.2					45				
3.7					47				
4.2	49								
4.8	51								
5.8	55								
6.0	56								
6.5	57.5								
7.0	59								
8.0	63								

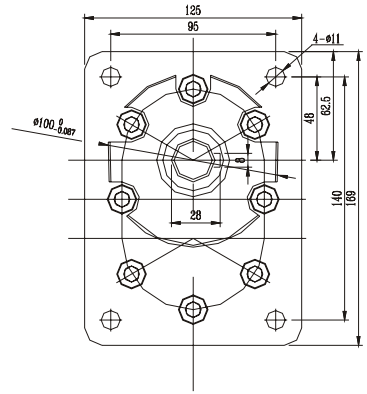
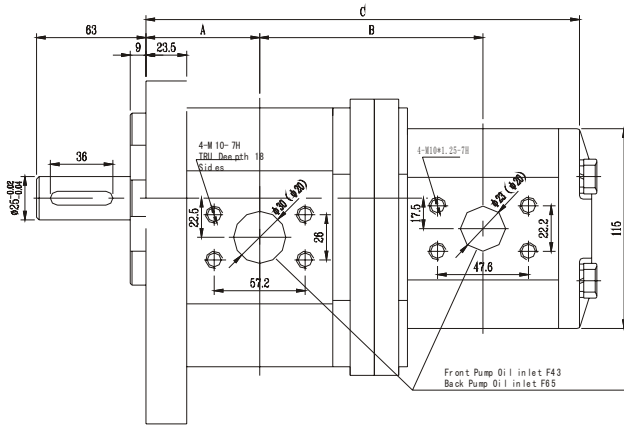
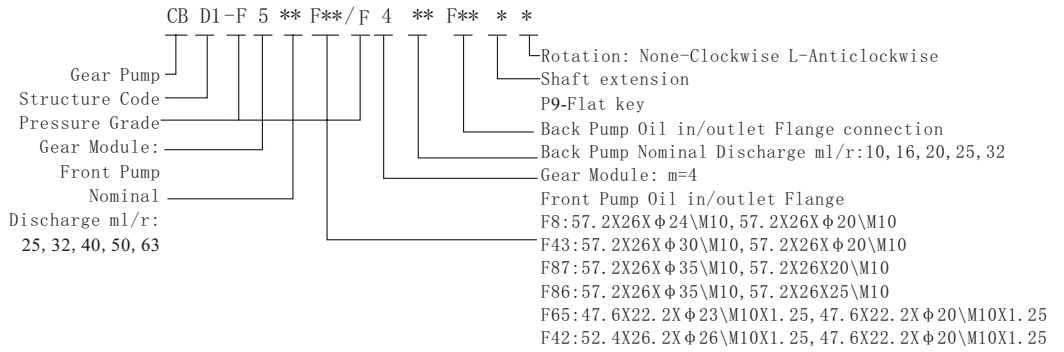
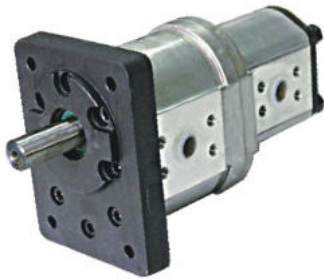
注: 1.If customers require other kinds of displacement and size of connection, please contact us.
 2.Max. load for shaft extension: P1V1+P2V2≤140; P1, P2: operate pressure(Mpa) for first and second connected pump.
 V1, V2: nominal discharge(ml/r) for first and second connected pump.

CMD-F3**FZS SERIES GEAR MOTOR



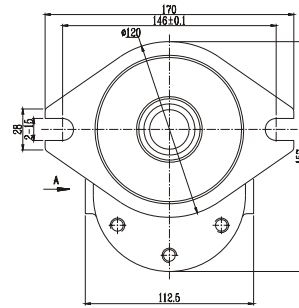
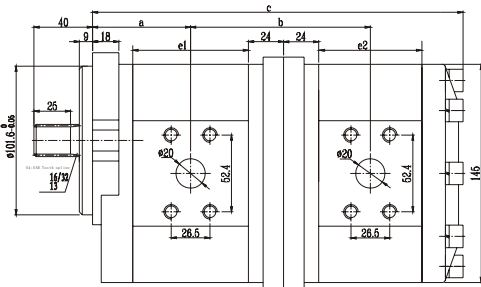
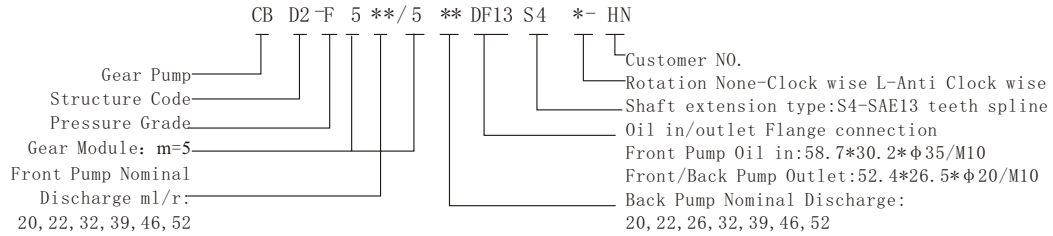
Model	Disp. (ml/r)	Rated Pressure (Mpa)	Max. Pressure (Mpa)	Max. Speed (r/min)	Min. Speed (r/min)	Output torque (N·M)	Volume efficiency (%)	a	b
CMD-F304FZS	4	18	23	4000	650	11.5	≥92	78	130
CMD-F306FZS	6					17.2		79	132
CMD-F308FZS	8					22.9		80.8	135.6
CMD-F310FZS	10					28.7		82.05	138
CMD-F312FZS	12					34.4		84.05	142
CMD-F314FZS	14			40.1	85	144			
CMD-F316FZS	16			45.9	87	148			
CMD-F320FZS	20			57.3	90	154			
CMD-F325FZS	25			71.7	94	162			

CBD1-F5**F**/F4**F*** SERIES DOUBLE GEAR PUMP

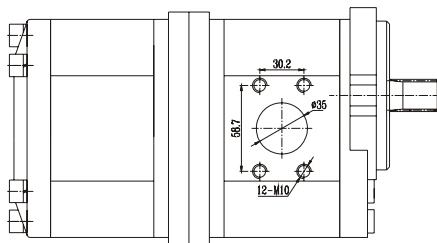


Model	Disp. (Ml/r)	Pressure (Mpa)		Speed (r/min)			A	B	C
		Rated	Max.	Min	Rated	Max.			
CBD1-F563F86/F432F42	63/32	16/20	20/25	600	2000	2500	74	137	266.5
CBD1-F563F86/F432F42**	63/25							132.5	257.5
CBD1-F563F86/F425F42**	63/20							130	252.5
CBD1-F563F86/F420F42**	63/16							127.5	247.5
CBD1-F563F86/F416F65**	63/10							124.5	241.5
CBD1-F563F86/F410F65**	50/32	20/20	25/25	600	2500	3000	70	133	258.5
CBD1-F550F86/F432F42**	50/25							128.5	249.5
CBD1-F550F86/F425F42**	50/20							126	244.5
CBD1-F550F86/F420F42**	50/16							123.5	239.5
CBD1-F550F86/F416F65**	50/10							120.5	233.5
CBD1-F550F86/F410F65**	40/32	20/20	25/25	600	2500	3000	65.5	128.5	249.5
CBD1-F540F87/F432F42**	40/25							124	240.5
CBD1-F540F87/F425F42**	40/20							121.5	235.5
CBD1-F540F87/F420F42**	40/16							119	230.5
CBD1-F540F87/F416F65**	40/10							116	224.5
CBD1-F540F87/F410F65**	32/32	20/20	25/25	600	2500	3000	63	126	244.5
CBD1-F532F43/F432F42**	32/25							121.5	235.5
CBD1-F532F43/F425F42**	32/20							119	230.5
CBD1-F532F43/F420F42**	32/16							116.5	225.5
CBD1-F532F43/F416F65**	32/10							113.5	219.5
CBD1-F532F43/F410F65**	25/25	20/20	25/25	600	2500	3000	60.5	119	230.5
CBD1-F525F8/F420F42**	25/20							116.5	225.5
CBD1-F525F8/F416F65**	25/16							114	220.5
CBD1-F525F8/F410F65**	25/10							111	214.5

CBD2-F5**/5**DF13S4*-HN SERIES DOUBLE GEAR PUMP



A to the Inlet

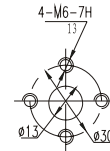
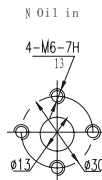
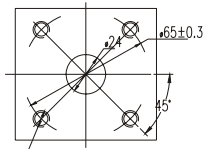
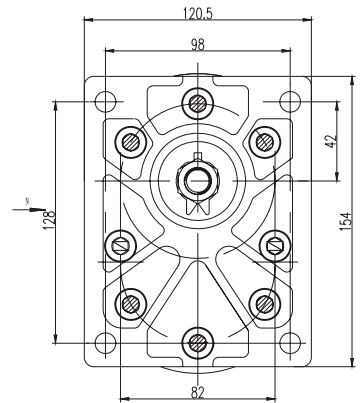
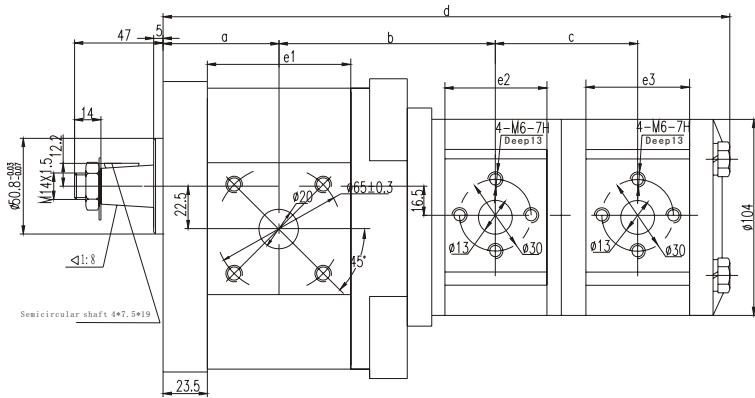
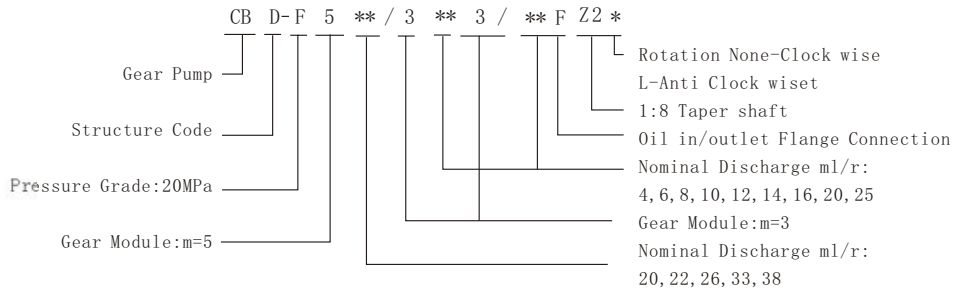


SAE Spline Shaft Specification		
Gear number	Z	13
Modulus	Dp	16/32
Angle	α p	30°
Tolerance	5h	
Dia	Dee	Φ 21.806 ⁰ _{-0.127}
Small dia	Die	Φ 18.631 ⁰ _{-0.28}
MAX Actual	Smax	2.321
MIN Actual	Smin	2.287
Measure stick distance	Me	Φ 24.983 ^{-0.10} _{-0.15}
Dia pin	de	Φ 3.048

Disp. (Ml/r)	Pressure (Mpa)		Speed (r/min)		e1	e2	a	b	C
	Rated	Max.	Rated	Max.					
20	20	25	2000	3000	70.6	27.5+e1/2	48+e1/2 +e2/2	90.8+e1 +e2	
22					71.6				
26					75.1				
32					79.1				
39					84.1				
46					89.6				
52					93.1				

注: 1.If customers require other kinds of discharge and size of connection, please contact us.
 2.This series type pump can supply oil double in and out type
 3.Max. load for shaft extension: P1V1+P2V2≤1800;P1, P2: operate pressure(Mpa) for first and second connected pump
 V1, V2: nominal discharge(ml/r) for first and second connected pump.

CBD-F5**/3**/3** SERIES GEAR PUMP



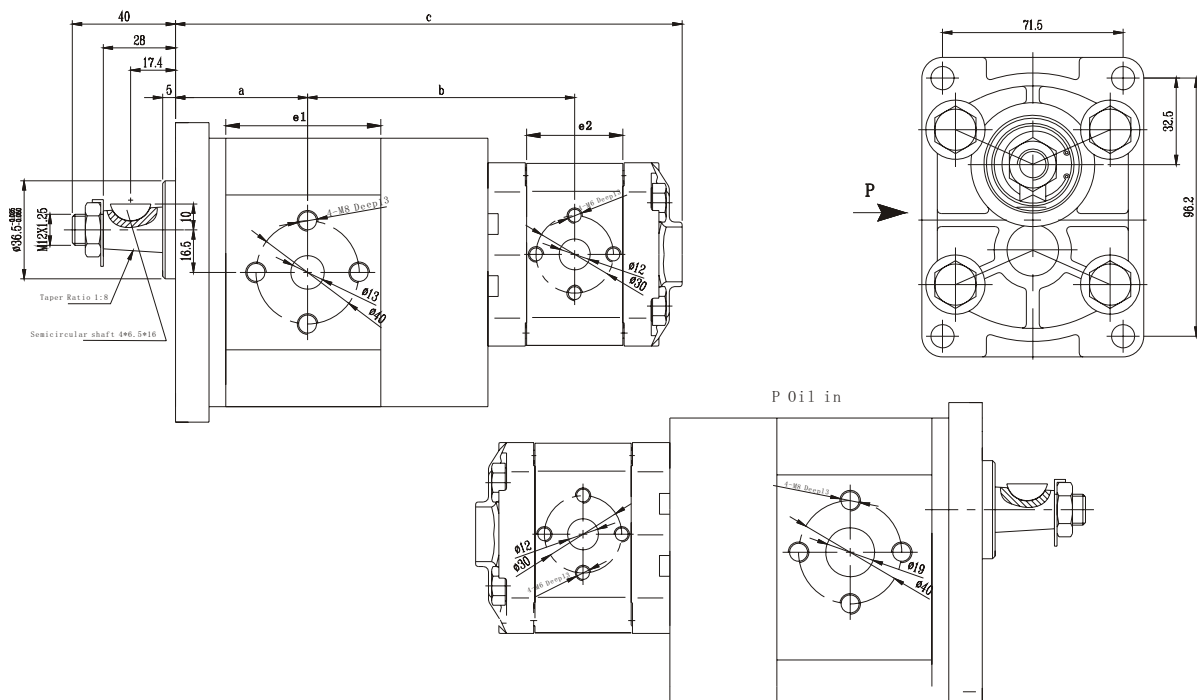
Disp. (ml/r)	Pressure (Mpa)		Speed (r/min)		e1	e2	e3	a	b	c	d		
	Rated	Max.	Rated	Max.									
20	20	25	2000	3000	70.6	52.1	23.5	43.2	25.9	91.2			
22					71.6								
26					75.1								
33					80.1								
38					83.6								
4					54.1							+ e1/2	+ e1
6					57.6							+ e1/2	+ e1
8					60.1							+ e2/2	+ e2
10					64.1							+ e3/2	+ e3
12					66.1								
14	70.1												
16	76.15												
20	84.18												
25													

注: 1.If customers require other kinds of displacement and size of connection, please contact us.
 2. If customers utilize difference hydraulic system for oil in and out, please contact us.
 3.Max. Load for transmission shaft: P2V2+P3V3≤600; P2, P3: operate pressure(Mpa) for the second and third connected pump;
 V2, V3: nominal displacement(ml/r) for the second and third connected pump.

CBT-F3**F84/20**F4Z5* SERIES DOUBLE GEAR PUMP

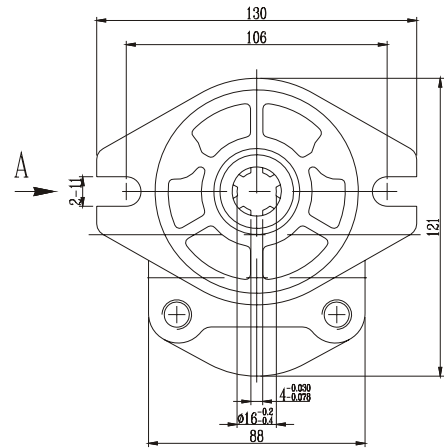
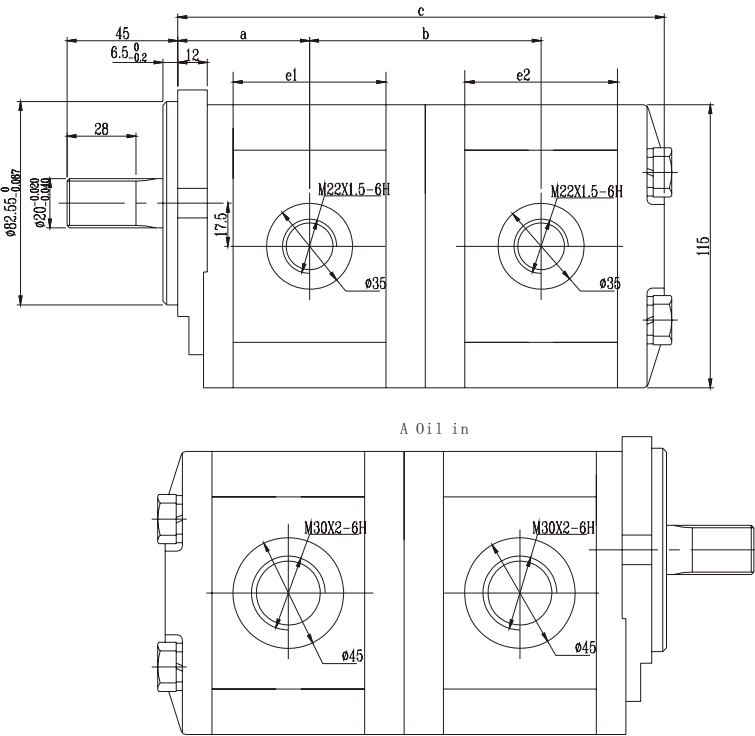
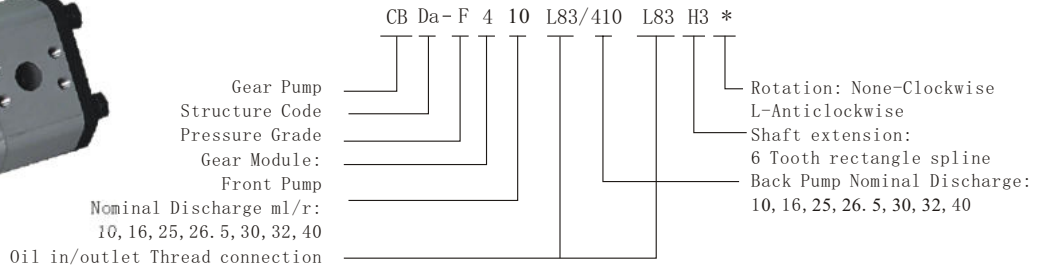


C B T - F 3 ** F84/2 0** F4 Z5 *
 Gear Pump
 Structure Code
 Pressure Grade
 Gear Module:m=3
 Front Pump Nominal Discharge ml/r:
 4, 6, 8, 10, 12, 14, 16, 20, 25
 Front Pump Oil in/outlet Flange connection
 F84-inlet: $\phi 40/M8/\phi 19$
 outlet: $\phi 40/M8/\phi 13$
 Rotation: None-Clockwise
 L-Anticlockwise
 Shaft extension: Taper Flat1:8 key width 4
 Back Pump Oil in/outlet Flange connection
 F4 -in $\phi 30/M6/\phi 12$ outlet $\phi 30/M6/\phi 12$
 Back Pump Nominal Discharge ml/r:
 1. 1, 1. 3, 1. 6, 1. 8, 2. 1
 Gear Module: m=2



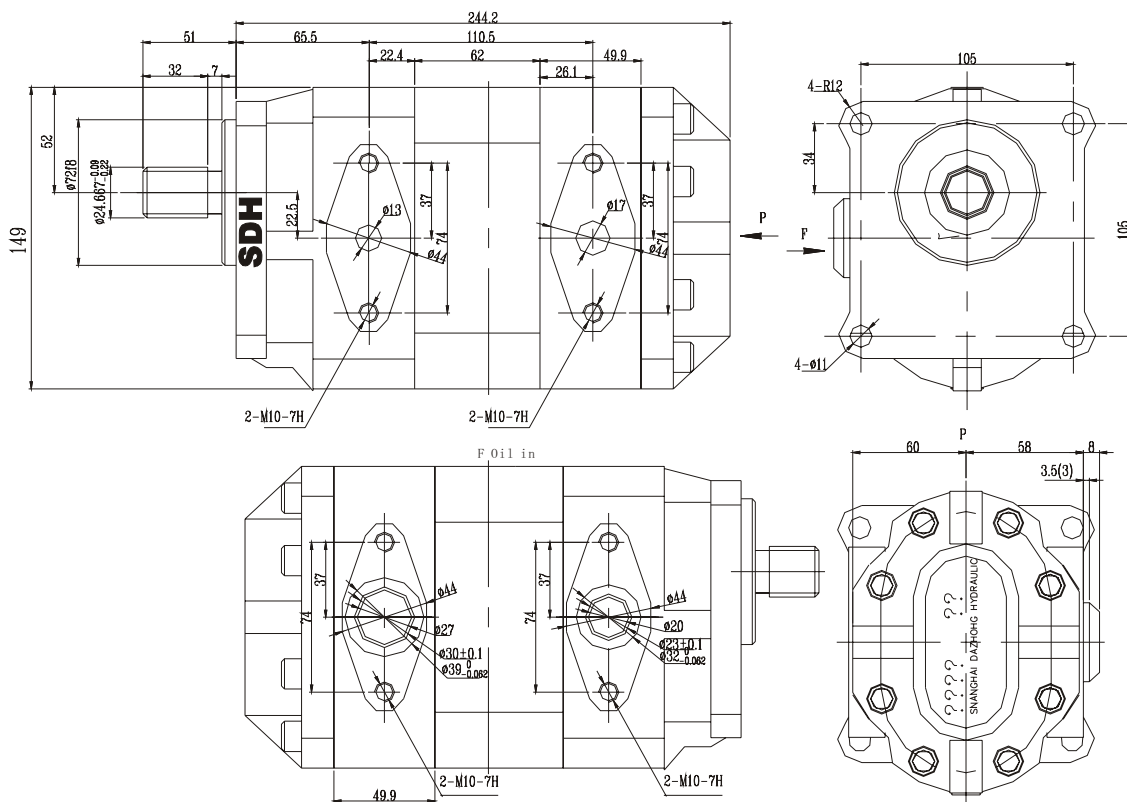
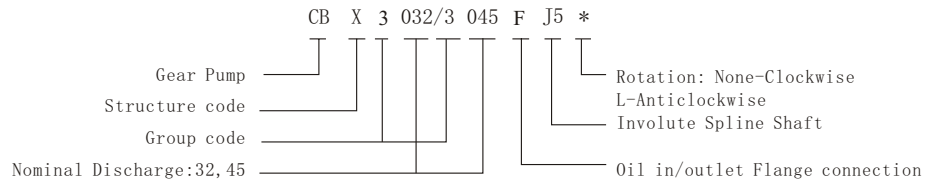
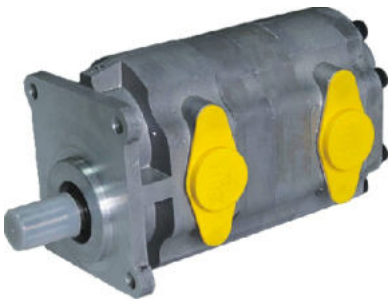
Disp. (Ml/r)	Pressure (Mpa)		Speed (r/min)		e1	e2	a	b	C
	Rated	Max.	Rated	Max.					
4	20	25	2000	3000	52	36.5	19.5+e1/2	56.5+e1/2 +e2/2	99+e1+e2
6					54				
8					57.5				
10					60				
12					64				
14					66				
1. 1					37.3				
1. 3					38.6				
1. 6					39.4				
1. 8					40.6				

CBDa-F4**L83/4**L83H3* SERIES DOUBLE GEAR PUMP



公称排量 Disp. (ML/r)	Pressure (Mpa)		Speed (r/min)		e1	e2	a	b	C
	Rated	Max.	Rated	Max.					
10	20	25	2000	3000	62.1	22.55+e1/2	32+e1/2 +e2/2	73.7+e1 +e2	
16					68.1				
25					78.1				
26.5					80.1				
30					84.1				
32					87.1				
40					96.1				

CBX3032/3045FJ5* SERIES DOUBLE GEAR PUMP



Involute Spline Shaft Specification

Gear number	Divisor Modulus	Helix comer	M value $\phi 3$
13	1.667	0°	$\Phi 27.563 \begin{smallmatrix} -0.172 \\ -0.256 \end{smallmatrix}$

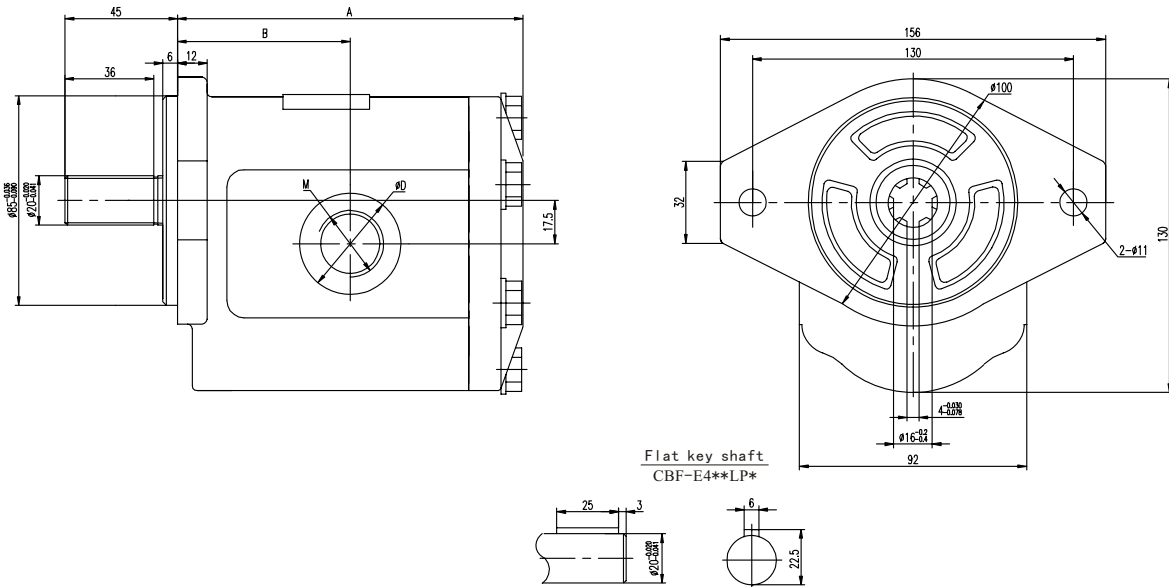
Model	Disp. (ml/r)	Rated Pressure (Mpa)	Max. Pressure (MPa)	Rated Speed (r/min)	Max. Speed (r/min)	Volume efficiency (%)	Efficiency (%)
CBX3032/3045FJ5	32/45	16/16	20/20	2400	2800	≥92%	≥83%

CBF-E4 SERIES GEAR PUMP



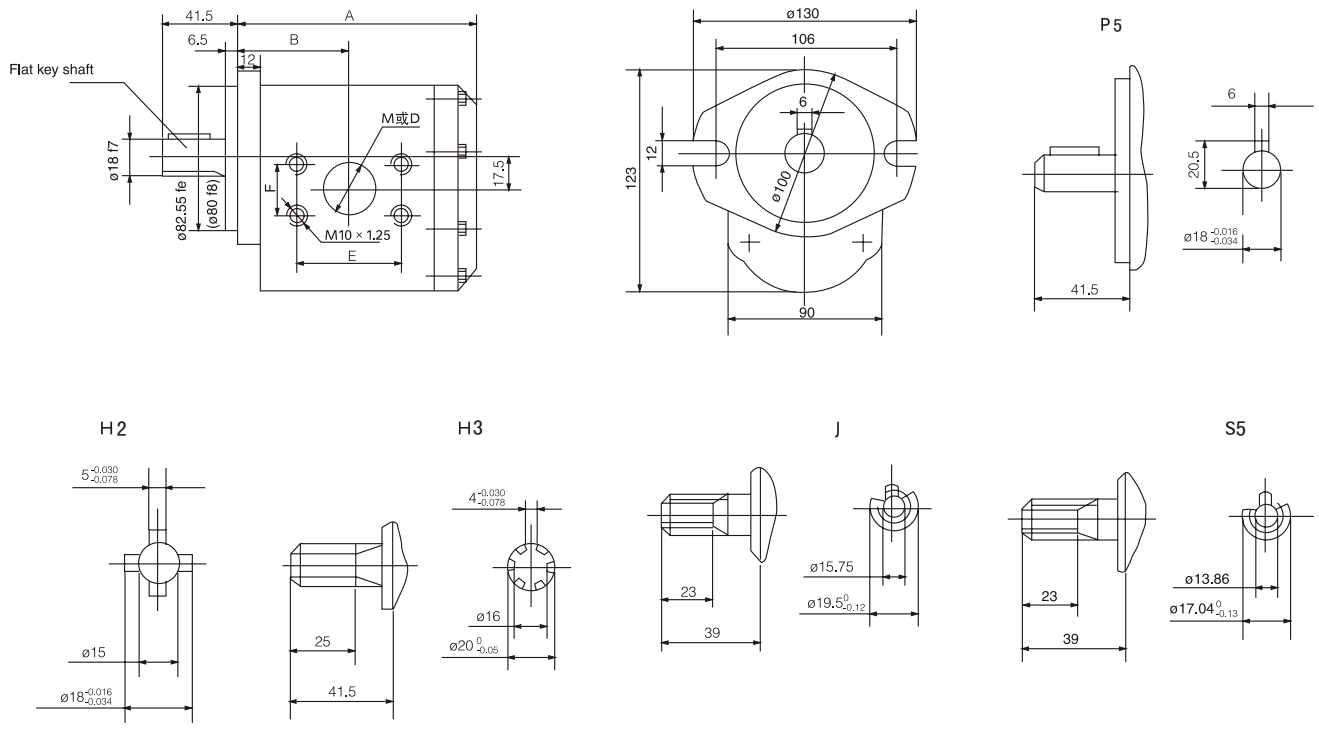
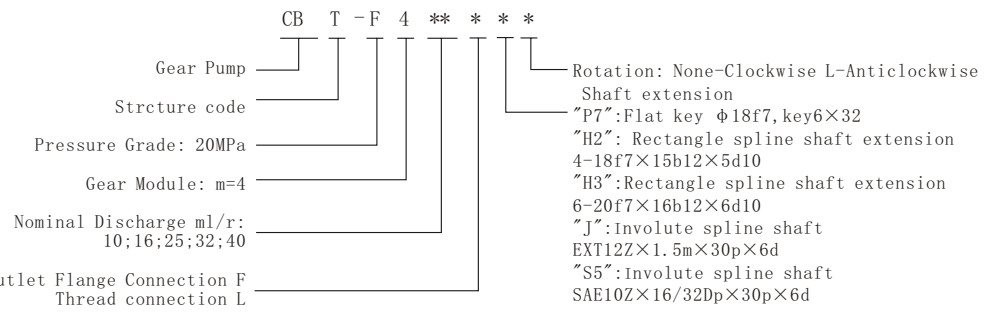
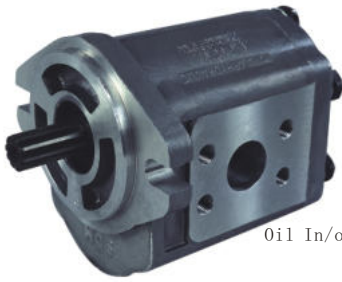
C B F - E 4 ** L * *
 Gear Pump ————
 Structure code ————
 Pressure Grade: 16MPa ————
 Gear Module: $m=4$ ————

Rotation None-Clockwise L-Anticlockwise
 Shaft extension
 "P8": Flat key shaft
 "H3": Rectangle spline shaft
 Oil In/outlet Thread :
 L19-In M33X2 Out M27X2 L20-In M27X2 Out M22X15
 L21-In M22X1.5 Out M18X15L
 Nominal Discharge ml/r:
 10; 16; 25; 32; 40



Model	Disp (ml/r)	Pressure (MPa)		Speed (r/min)		A	B	Oil in/outlet bore	
		Rated	Max.	Rated	Max.			Oil In	OilOut
CBF-E410	10	16	20	2500	3000	107.5	53	M22×1.5	M18×1.5
CBF-E416	16	16	20	2500	3000	113.5	56	M27×2	M22×1.5
CBF-E425	25	16	20	2500	3000	123.5	61	M33×2	M27×2
CBF-E428	28	16	20	2500	3000	127.5	63	M33×2	M27×2
CBF-E432	32	16	20	2500	3000	132.5	65	M33×2	M27×2
CBF-E440	40	16	20	2500	3000	141.5	70	M33×2	M27×2

CBT-F4 SERIES GEAR PUMP



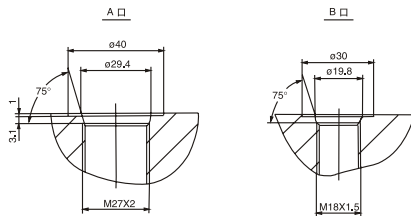
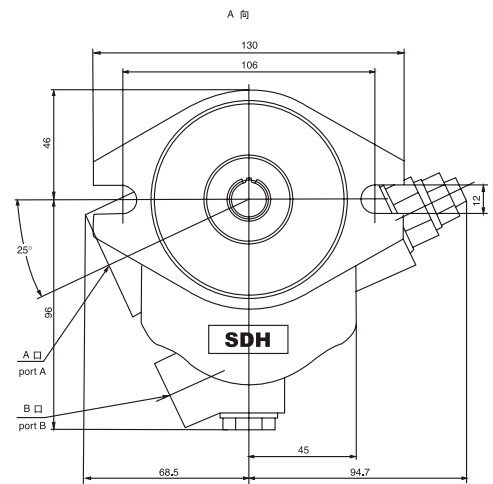
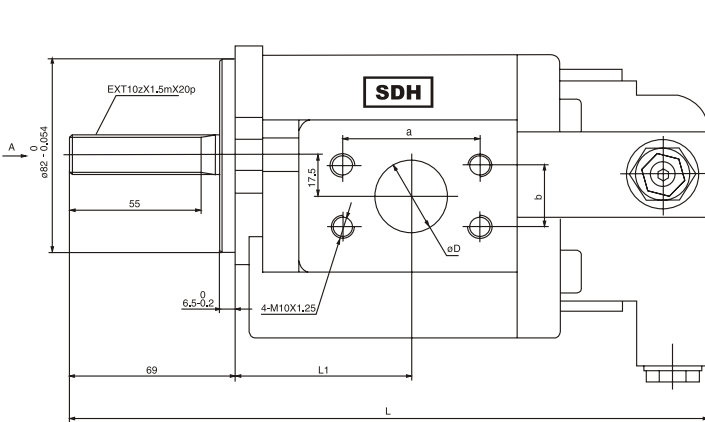
Model	Disp (Ml/r)	Pressure (Mpa)		Speed (r/min)			A	B	Oil in/outlet bore		Oil in of Flange			Oil outlet of Flange		
		Rated	Max.	Rated	Max.	Min.			Oil In	OilOut	D1	E1	F1	D2	E2	F2
CBT-F410	10	20	25	2000	3000	500	108	53.5	M22 \times 1.5	M18 \times 1.5	23	47.6	22.2	20	47.6	22.2
CBT-F416	16	20	25	2000	3000	500	114	56.5	M22 \times 1.5	M18 \times 1.5	23	47.6	22.2	20	47.6	22.2
CBT-F425	25	20	25	2000	3000	500	124	62	M33 \times 2	M27 \times 2	26	52.4	26.2	20	47.6	22.2
CBT-F426.5	26.5	20	25	2000	3000	500	126	62.5	M33 \times 2	M27 \times 2	26	52.4	26.2	20	47.6	22.2
CBT-F430	30	20	25	2000	3000	500	130.5	65	M33 \times 2	M27 \times 2	26	52.4	26.2	20	47.6	22.2
CBT-F432	32	20	25	2000	3000	500	133	65	M33 \times 2	M27 \times 2	26	52.4	26.2	20	47.6	22.2
CBT-F440	40	20	25	2000	3000	500	142	70	M33 \times 2	M27 \times 2	26	52.4	26.2	20	47.6	22.2

Note: Max. Oil hydraulic pollution grade accords to article GB/T14039 20/17.

CBT/F-E4 SERIES GEAR PUMP

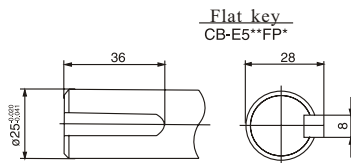
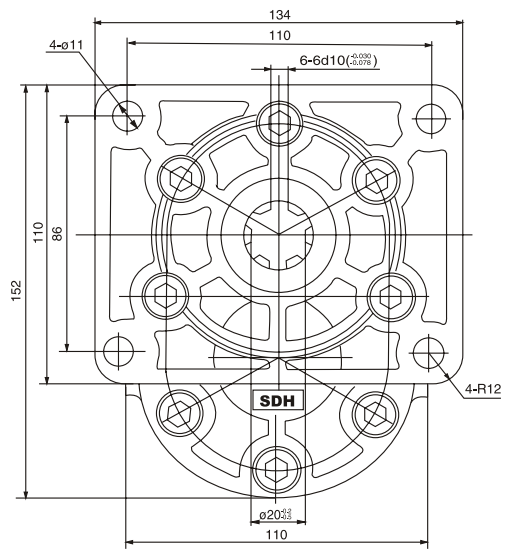
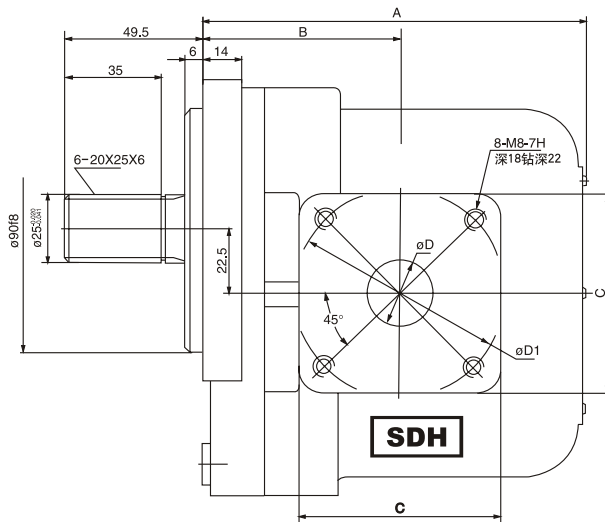
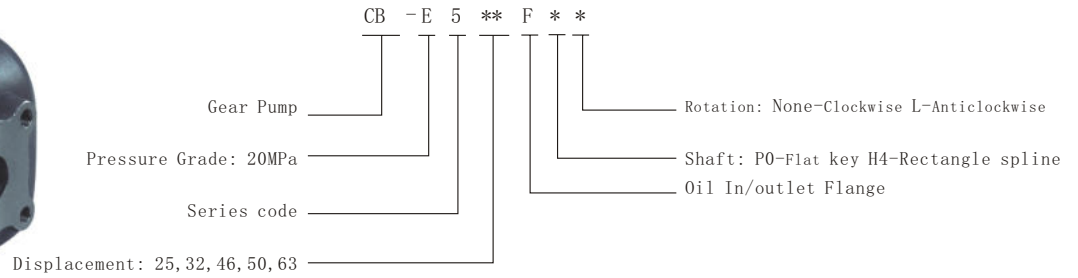
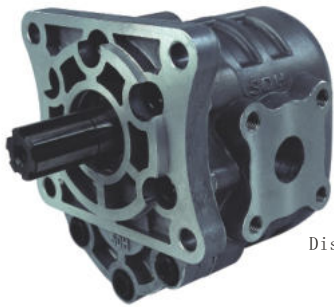


- CB T / F - E 4 ** A F J / **
- Gear Pump ————
- Structure code ————
- Compound pump ————
- Pressure Grade: 16MPa ————
- Gear Module: $m=5$ ————
- Dividing flow L/min: 8, 10, 12, 14, 16
- Shaft extension: Involute spline
- Inlet: Flange F
- Mounting: two-hole flange
- Nominal Discharge ml/r: 25, 32, 40



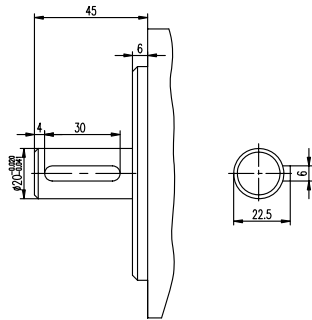
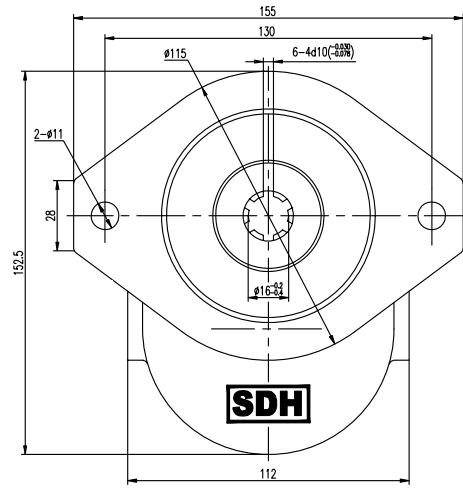
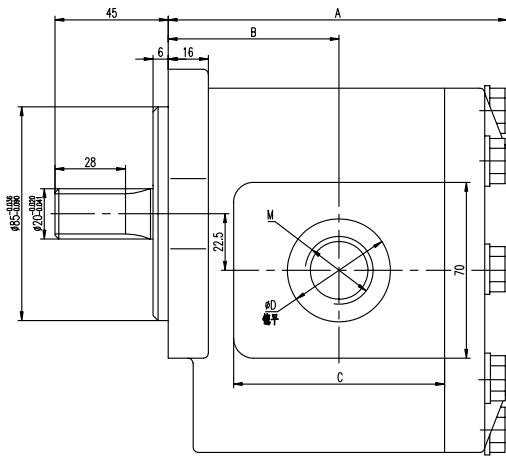
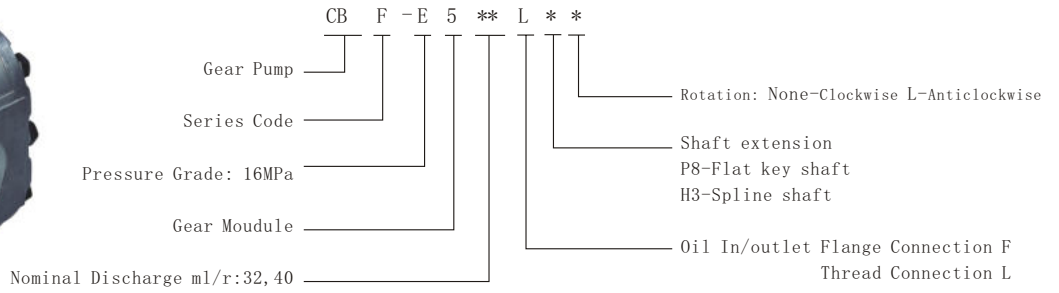
Model	Disp. (ml/r)	Pressure (MPa)		Speed (r/min)			L1 (mm)	L (mm)	a (mm)	b (mm)	D (mm)
		Rated	Max.	Rated	Max.	Min.					
CBT/F-E425AFJ/**	25	16	20	2500	3000	600	61.5	249.5	52.4	26.2	26
CBT/F-E432AFJ/**	32	16	20	2500	3000	600	65.5	258.5	52.4	26.2	26
CBT/F-E4440AFJ/**	40	16	20	2500	3000	600	70.5	267.5	57.2	26	30

CB-E5 SERIES GEAR PUMP



Model	Disp (Ml/r)	Pressure (Mpa)		Speed (r/min)			A	B	C	D1	D	
		Rated	Max.	Rated	Max.	Min.					Inlet	Outlet
CB-E525	25	16	20	2000	3000	600	120	62	50	50	20	20
CB-E532	32	16	20	2000	3000	600	125	66	63	65	24	20
CB-E546	46	16	20	2000	3000	600	134	66	63	65	30	24
CB-E550	50	16	20	2000	3000	600	139	72	73	76	30	24
CB-E563	63	16	20	2000	3000	600	147	72	73	76	30	24

CBF-E5 SERIES GEAR PUMP



Model	Disp. (Ml/r)	Pressure (Mpa)		Speed (r/min)		A	A1	D (M)	
		Rated	Max.	Max.	Min.			Inlet	Outlet
CBF-E532	32	16	20	3000	600	130	66	M33×2	M27×2
CBF-E540	40	16	20	3000	600	135	68	M33×2	M27×2

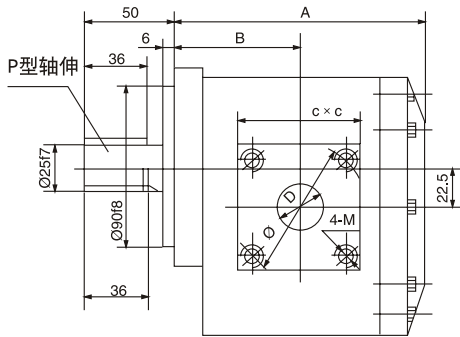
Note: Standard of oil contamination lever refer to GB/T14039 20/17.

CBT-F5 SERIES GEAR PUMP

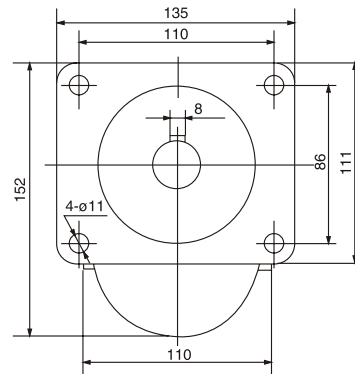
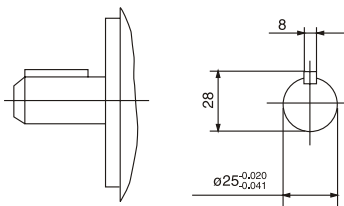


CB T -F 5 ** F * *
 Gear Pump |
 Series Code |
 Pressure Grade: 20MPa |
 Gear Module: m=5 |
 Nominal Discharge ml/r: |
 25, 32, 46, 50, 63 |
 Oil In/outlet Flange Connection |

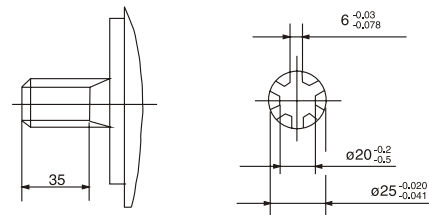
Rotation: None-Clockwise L-Anticlockwise
 Shaft extension
 "P": Flat key shaft $\phi 58$, key 8×36
 "H": Rectangle spline shaft
 6-25f7×20×6d10
 "J": involute spline shaft
 EXT15Z×1.5m×30p×6d
 "S": Involute spline shaft
 SAE10Z×16/32Dp×30p×5d



P9 type Shaft



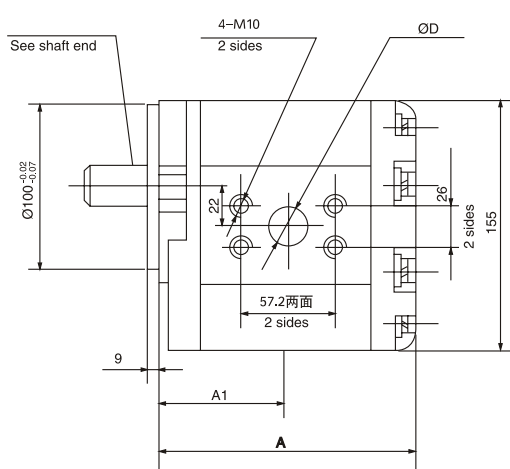
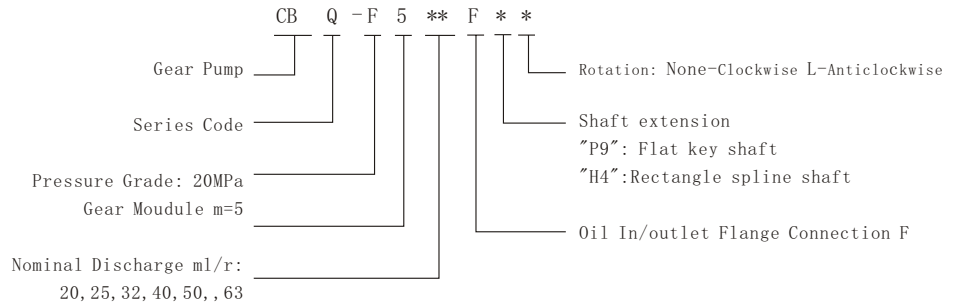
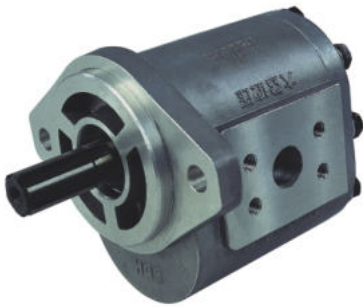
H4 type Shaft



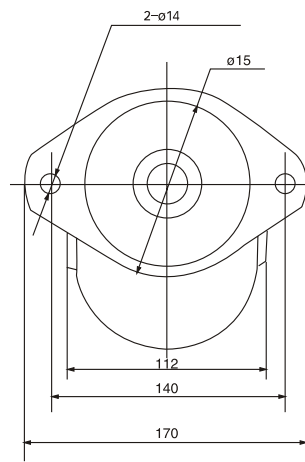
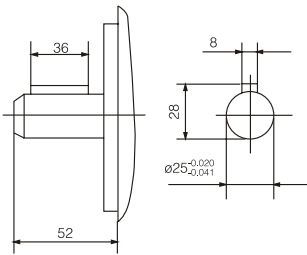
Model	Disp. (ml/r)	Pressure (Mpa)		Speed (r/min)			A	B	C	ϕ	D		M
		Rated	Max.	Rated	Max.	Min.					Inlet	Outlet	
CBT-F525	25	20	25	2000	3000	600	123	62	50	50	$\phi 20$	$\phi 20$	M8
CBT-F532	32	20	25	2000	3000	600	128	66	63	65	$\phi 24$	$\phi 20$	M8
CBT-F546	46	20	25	2000	3000	600	136	66	63	65	$\phi 30$	$\phi 24$	M8/10
CBT-F550	50	20	25	2000	3000	600	141	71	73	76	$\phi 30$	$\phi 24$	M8/10
CBT-F563	63	20	25	2000	3000	600	149	74	73	76	$\phi 30$	$\phi 24$	M8/10

Note: Standard of oil contamination level refer to GB/T14039 20/17.

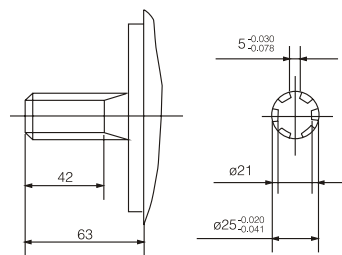
CBQ-F5 SERIES GEAR PUMP



P9type Shaft



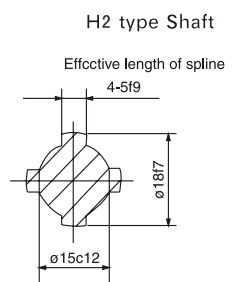
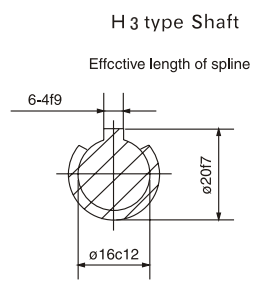
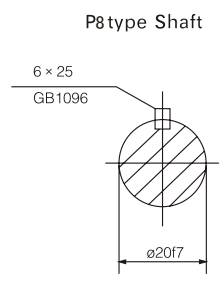
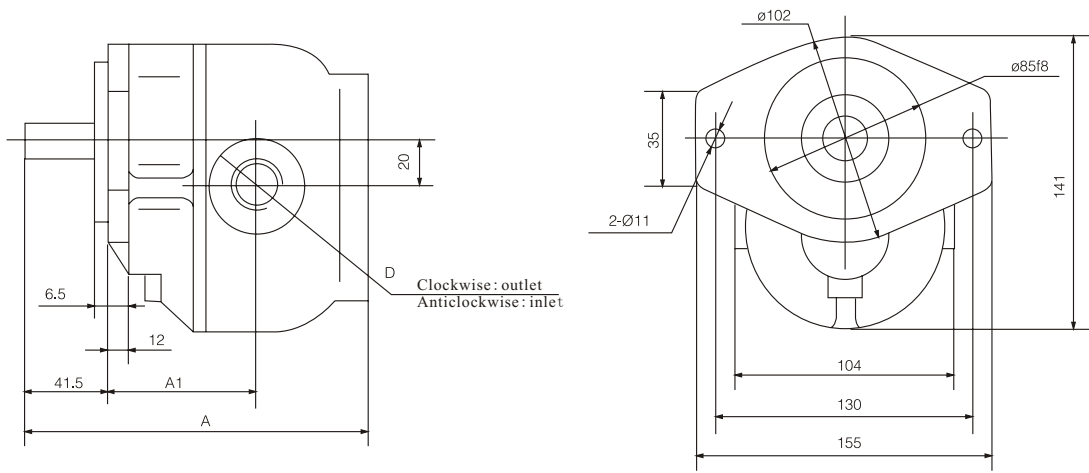
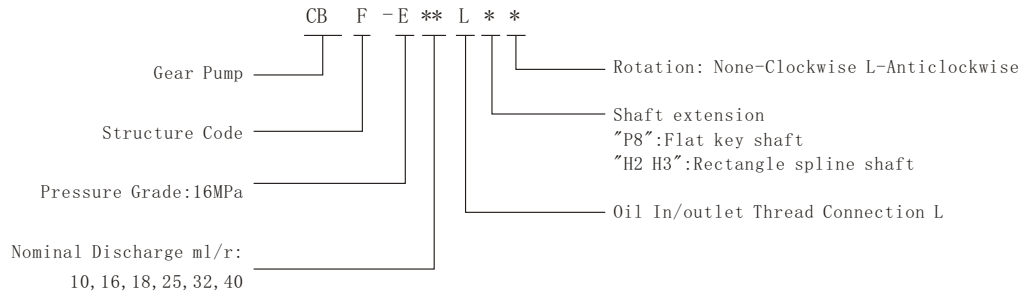
H4type Shaft



Model	Disp. (Ml/r)	Pressure (Mpa)		Speed (r/min)		A	A1	D	
		Rated	Max.	Rated	Max.			Inlet	Outlet
CBQ-F520	20	20	25	3000	600	122	62.5	φ 24	φ 20
CBQ-F525	25	20	25	3000	600	126	64.5	φ 24	φ 20
CBQ-F532	32	20	25	3000	600	131	67	φ 30	φ 24
CBQ-F540	40	20	25	3000	600	136	69.5	φ 30	φ 24
CBQ-F550	50	20	25	3000	600	145	73	φ 30	φ 24
CBQ-F563	63	16	20	2500	600	153	77.5	φ 30	φ 24

Note: Standard of oil contamination level refer to GB/T14039 20/17.

CBF-E10~40 SERIES GEAR PUMP



Model	Disp. (ml/r)	Pressure (MPa)		Speed (r/min)			A	A1	D	
		Rated	Max.	Rated	Max.	Min.			Oil In	OilOut
CBF-E10	10	16	20	2500	3000	800	156	72	M22×1.5	M18×1.5
CBF-E16	16	16	20	2500	3000	800	161.5	74.5	M27×2	M22×1.5
CBF-E18	18	16	20	2500	3000	800	170	75	M27×2	M22×1.5
CBF-E25	25	16	20	2500	3000	500	174	77.5	M33×2	M27×2
CBF-E32	32	16	20	2500	3000	500	180	83	M33×2	M27×2
CBF-E40	40	16	20	2500	3000	500	188.5	91	M33×2	M27×2

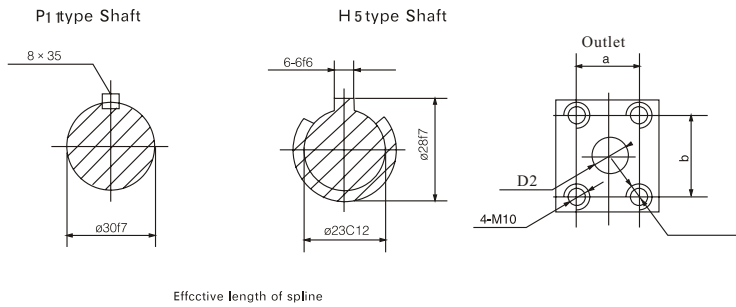
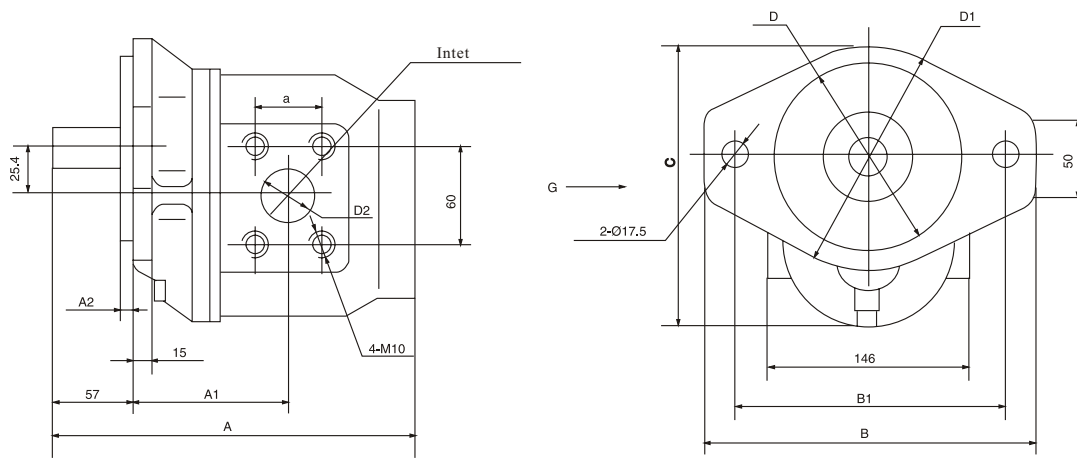
Note: Standard of oil contamination level refer to GB/T14039 20/17.

CBF-E50~100 SERIES GEAR PUMP



CB F - F ** E * *
 Gear Pump
 Structure Code
 Pressure Grade: 20MPa
 Nominal Discharge ml/r:
 50, 63, 71, 80, 90, 100

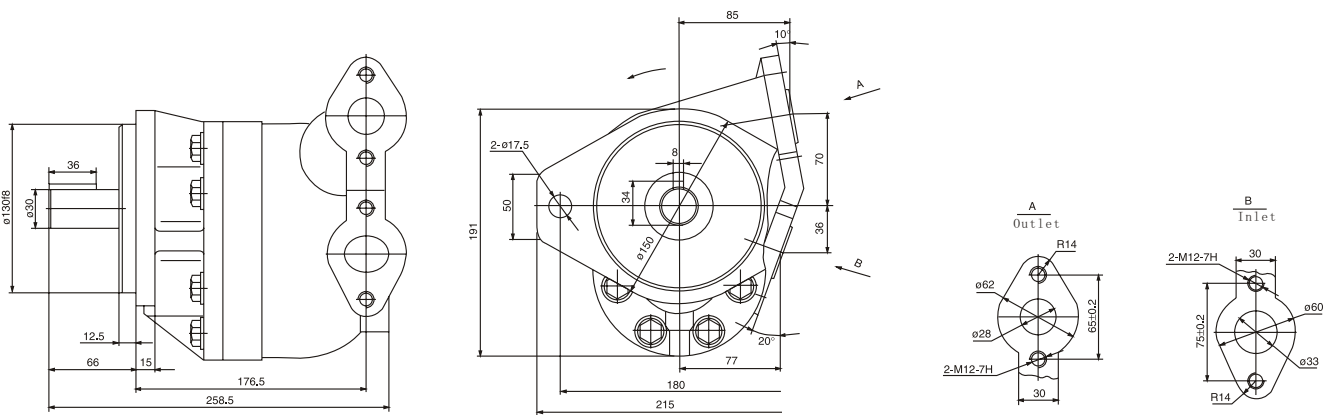
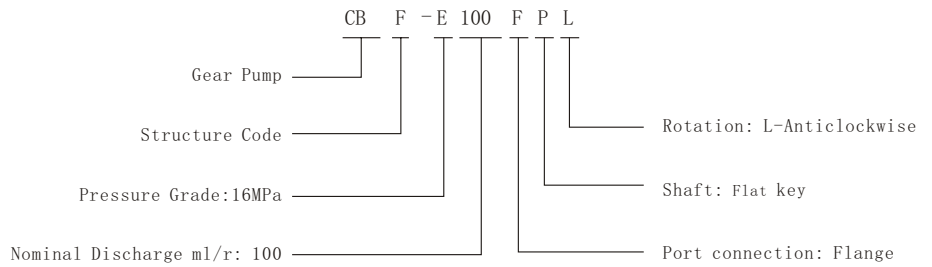
Rotation: None-Clockwise
 L-Anticlockwise
 Shaft extension
 "P11": Flat key shaft
 "H5": Rectangle spline shaft
 Oil In/outlet Flange Connection F



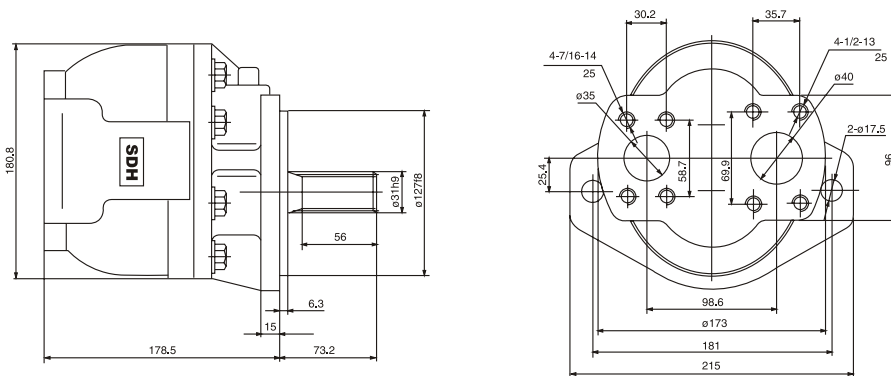
Model	Disp. (Ml/r)	Pressure (Mpa)		Speed (r/min)		A	A1	A2	B	B1	C	D	D1	Oil in		Oil Outlet			
		Rated	Max.	Rated	Max.									a	D2	a	b	D2	
CBFEF50	50	16	20	2000	2500	221.5	92	8	200	160	186	φ80	f8	φ140	30	φ32	26	52	φ25
CBF-E63	63	16	20	2000	2500	227.5	96	8	200	160	186	φ80	f8	φ140	30	φ32	26	52	φ25
CBF-E71	71	16	20	2000	2500	231	96	8	200	160	186	φ80	f8	φ140	36	φ36	36	60	φ28
CBF-E80	80	16	20	2000	2500	235	100	8	200	160	186	φ80	f8	φ140	36	φ36	36	60	φ28
CBF-E90	90	16	20	2000	2500	239	104	8	200	160	186	φ80	f8	φ140	36	φ40	36	60	φ32
CBF-E100	100	16	20	2000	2500	244	107	12.5	215	180	191	φ125	f8	φ150	36	φ40	36	60	φ32

Note: standard of oil contamination level refer to GB/T14039 20/17.

CBF-E100 SERIES GEAR PUMP



CBF-E100FPL



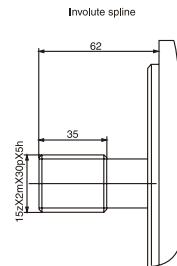
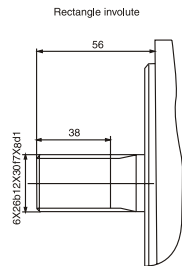
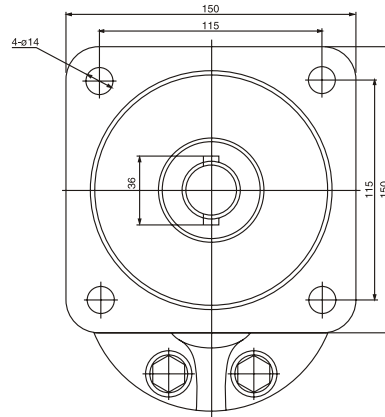
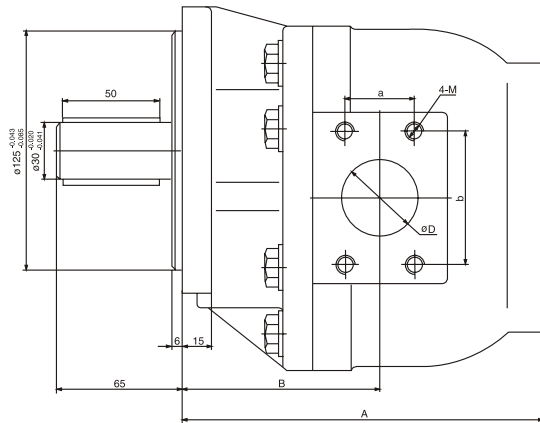
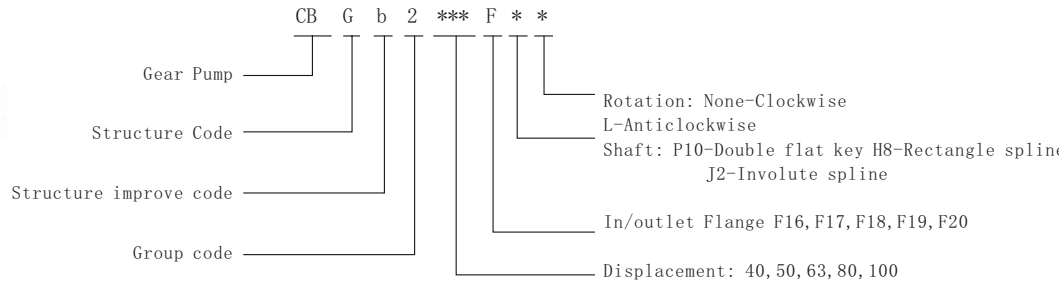
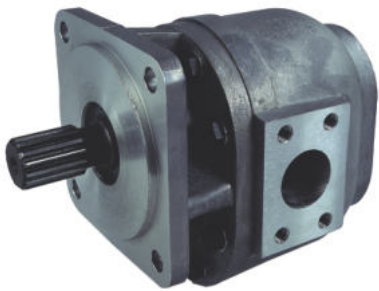
CBF-E100-F

Involute spline Shaft Specification

14	12/24	30°	3.32 ^{0.085} _{0.145}
NO. of teeth	Pitch	Angle	Thickness on pitch circle

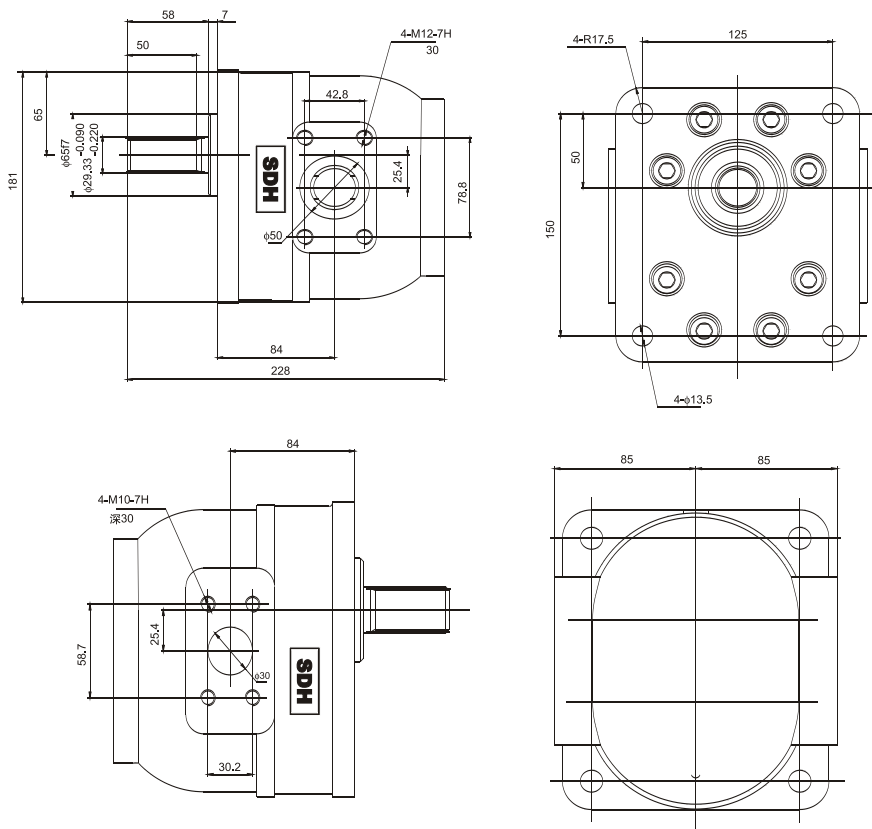
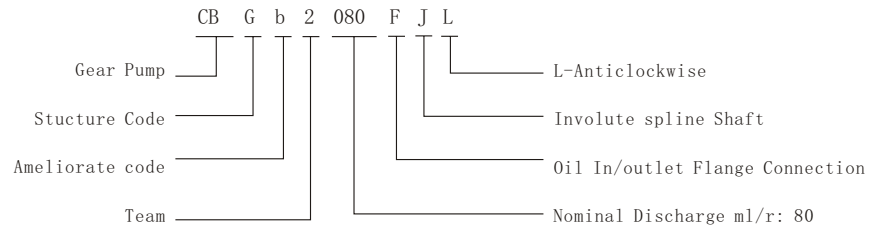
Model	Disp. (Ml/r)	Pressure (Mpa)		Speed (r/min)		
		Rated	Max.	Rated	Max.	Min.
CBF-E100FPL	100	16	20	2000	2500	600
CBF-E100-F	100	16	20	2000	2500	600

CBGb2 SERIES GEAR PUMP



Model	Disp (Ml/r)	Pressure (Mpa)		Speed (r/min)		A	B	Inlet				Outlet			
		Rated	Max.	Rated	Max.			a	b	D	M	a	b	D	M
CBGb2040	40	16	20	2000	2500	160	88	22	48	20	M10	22	48	18	M8
CBGb2050	50	16	20	2000	2500	165	90	26	52	25	M10	22	48	20	M8
CBGb2063	63	16	20	2000	2500	171	93	30	60	32	M10	26	52	25	M10
CBGb2080	80	16	20	2000	2500	178	97	36	70	35	M12	30	60	32	M10
CBGb2100	100	16	20	2000	2500	187	102	36	70	40	M12	30	60	32	M10

CBGb2080 GEAR PUMP

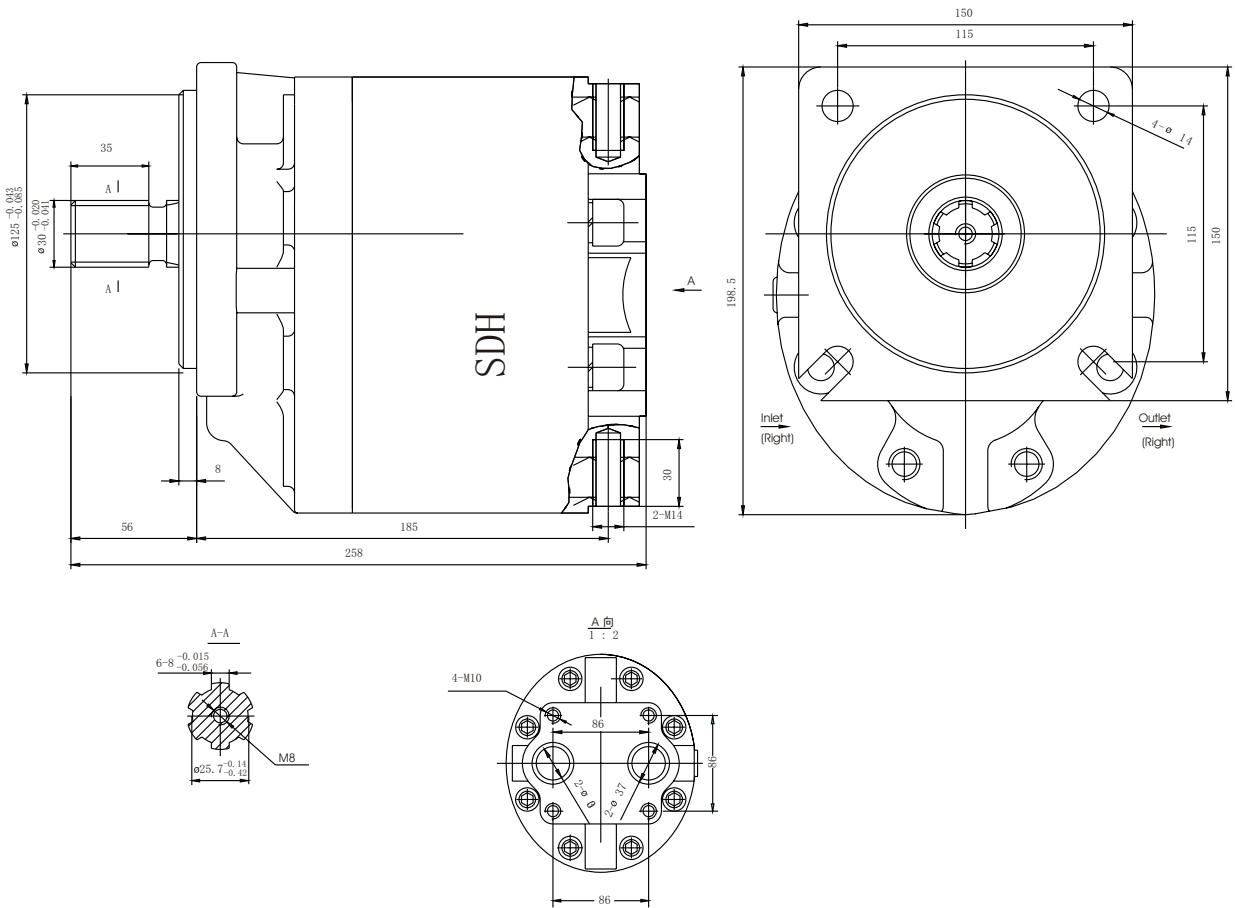
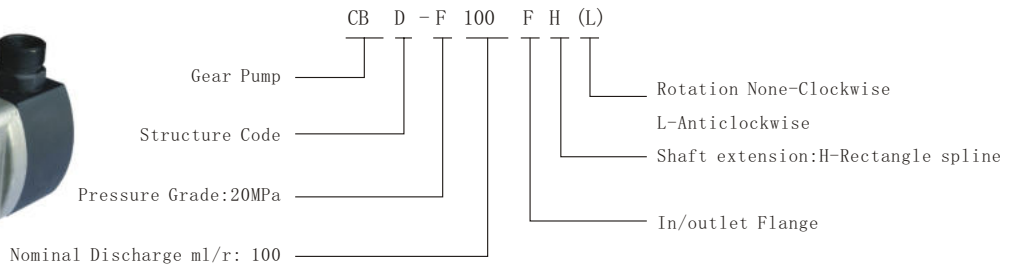


Involute spline Shaft Specification

Gear number	Divisor Modulus	Helix comer	Mvalue $\phi 3$
16	1.667	0°	$\phi 32.851_{-0.349}^{+0.261}$

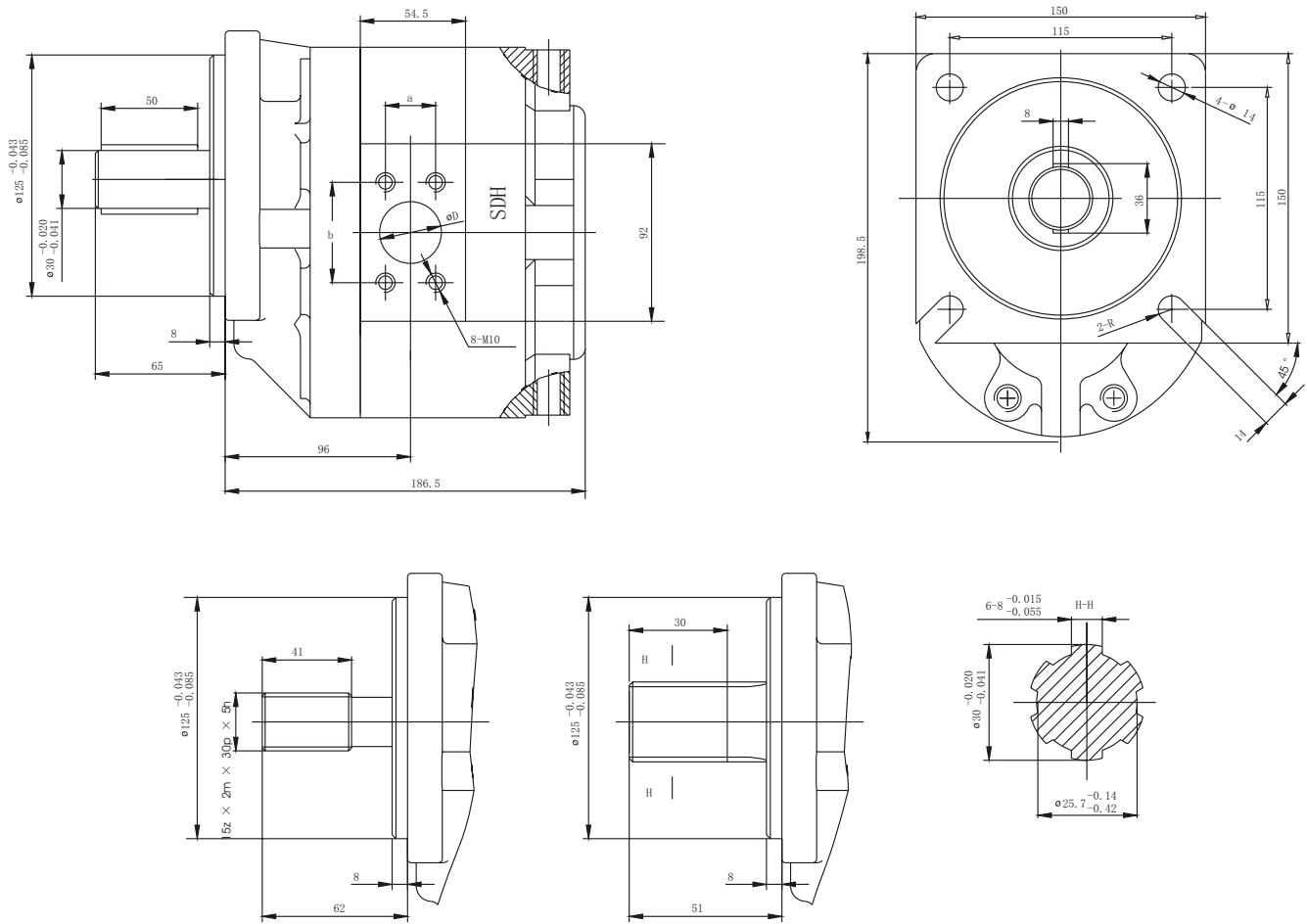
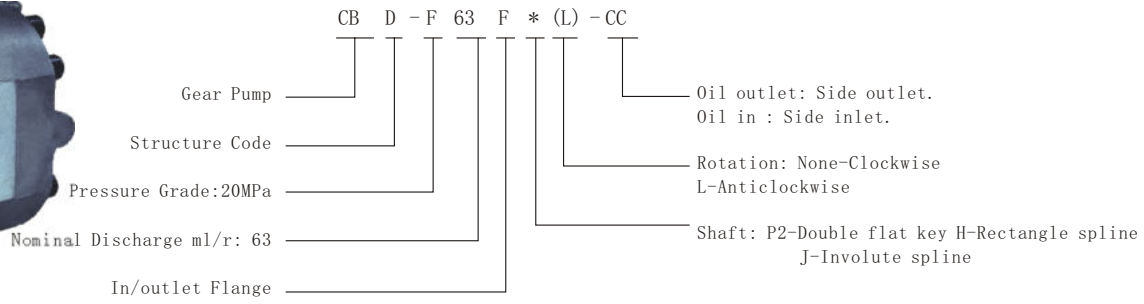
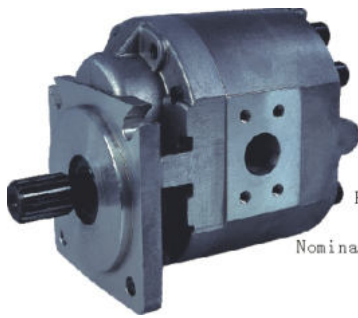
Model	Disp. (MI/r)	Pressure (Mpa)		Speed (r/min)	
		Rated	Max.	Rated	Max.
CBGb2080FJL	80	16	20	2300	2500

CBD-F100FH** SERIES GEAR PUMP



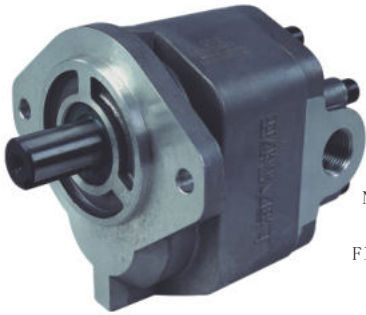
Model	Disp. (ml/r)	Pressure (Mpa)		Speed (r/min)	
		Rated	Max.	Rated	Max.
CBD-F100FH	100	20	25	2000	3000

CBD-F63~100F*-CC SERIES GEAR PUMP



Model	Disp (Ml/r)	Pressure (Mpa)		Speed (r/min)		Inlet			Outlet		
		Rated	Max.	Rated	Max.	a	b	D	a	b	D
CBD-F63F-CC	63	20	25	2000	3000	30	60	$\phi 32$	26	52	$\phi 25$

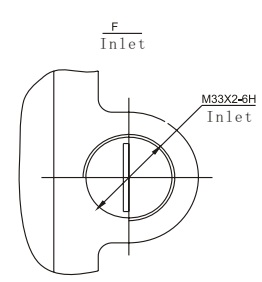
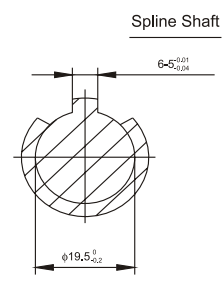
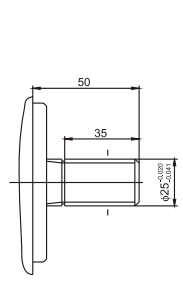
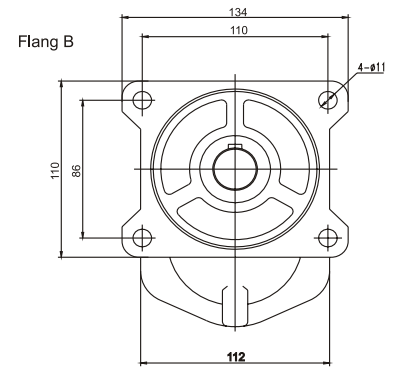
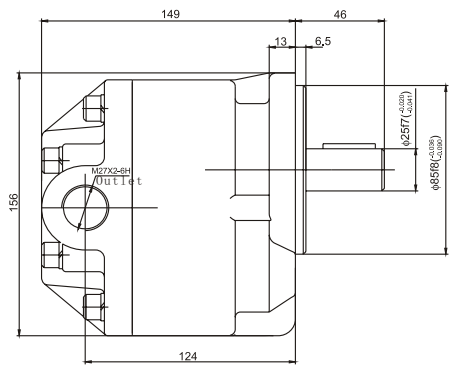
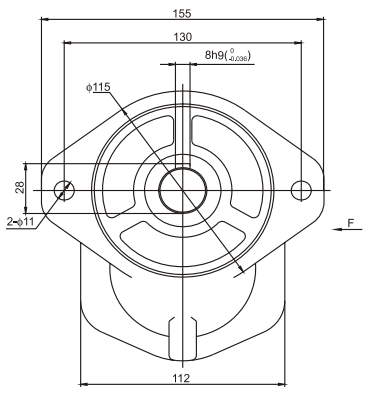
CB-FC SERIES GEAR PUMP



CB - FC 50 * L * *

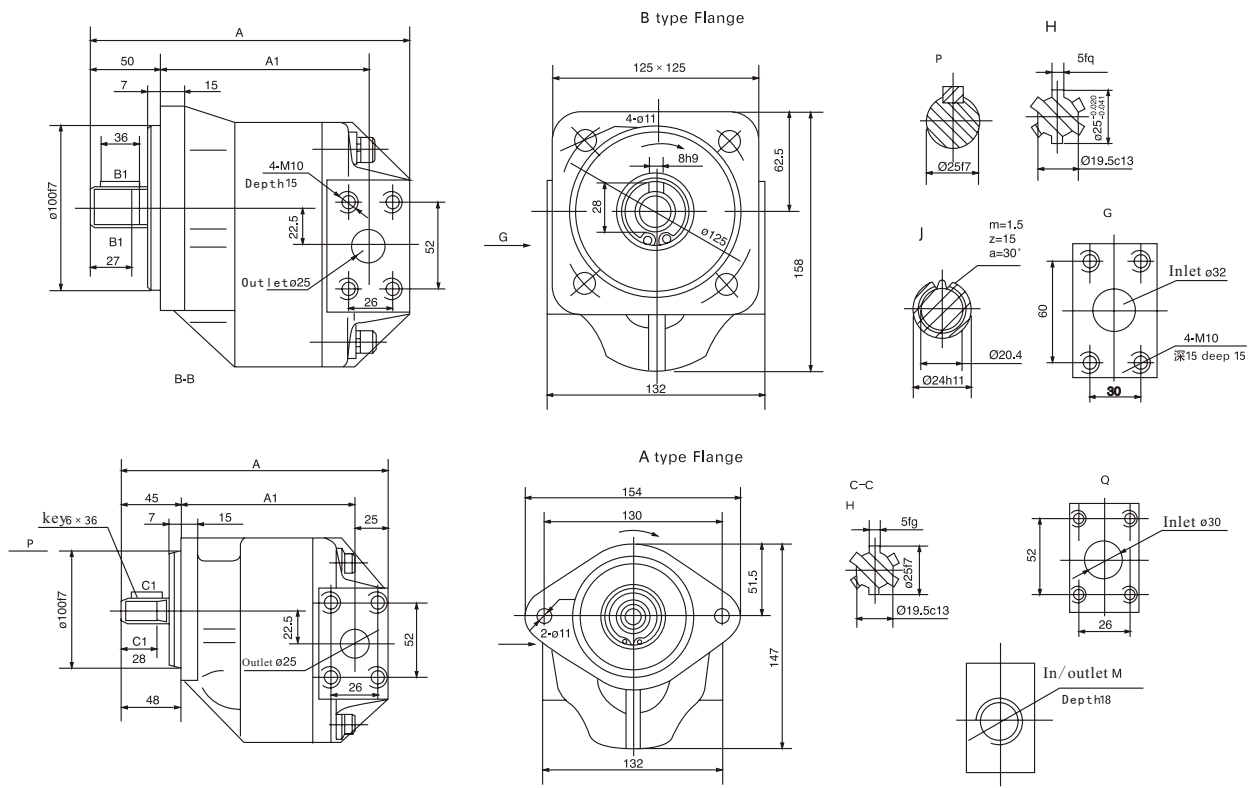
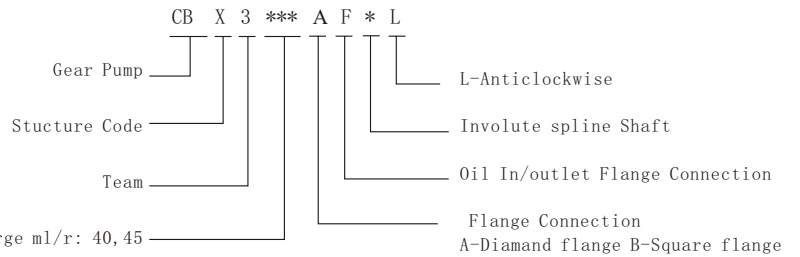
Gear Pump
Series Code
Nominal Discharge ml/r: 50
Flange connection Diamond A
Squareness B

Rotation: None-Clockwise
L-Anticlockwise
Shaft extension: P-flat key
H-Rectangle spline
Oil in/outlet Thread connection



Model	Disp. (MI/r)	Pressure (Mpa)		Speed (r/min)	
		Rated	Max.	Rated	Max.
CB-FC50	50	16	20	2000	3000

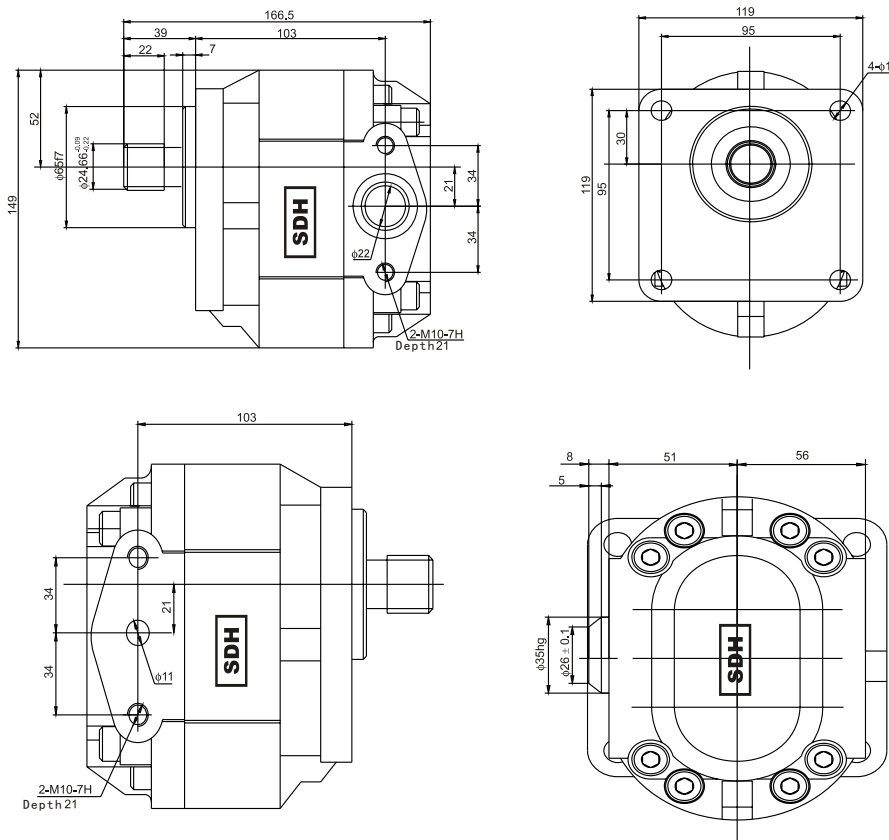
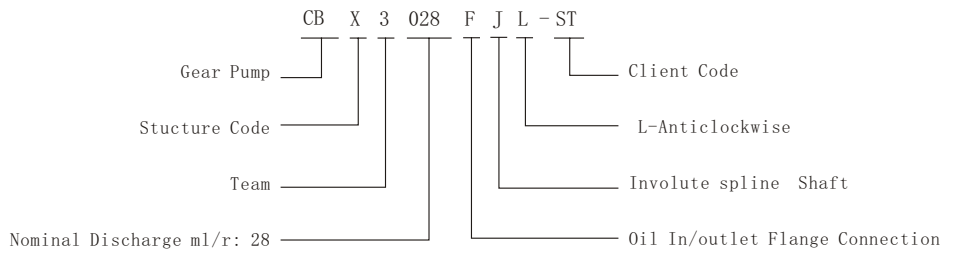
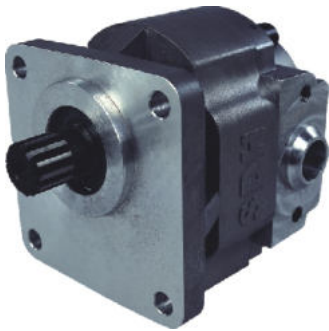
CBX3 SERIES GEAR PUMP



Model	Disp. (Ml/r)	Pressure (Mpa)		Speed (r/min)	A	A1	D	
		Rated	Max.				Inlet	Outlet
CBX3010	10	20	25	3000	164	89	M33×2	M27×2
CBX3016	16	20	25	3000	169.5	94.5	M33×2	M27×2
CBX3025	25	20	25	3000	177.5	102.5	M33×2	M27×2
CBX3032	32	20	25	3000	183.5	108.5	M33×2	M27×2
CBX3040	40	20	25	3000	190.5	115.5	M33×2	M27×2

Note: Standard of oil contamination level refer to GB/T14039 20/17.

CBX3028 SERIES GEAR PUMP

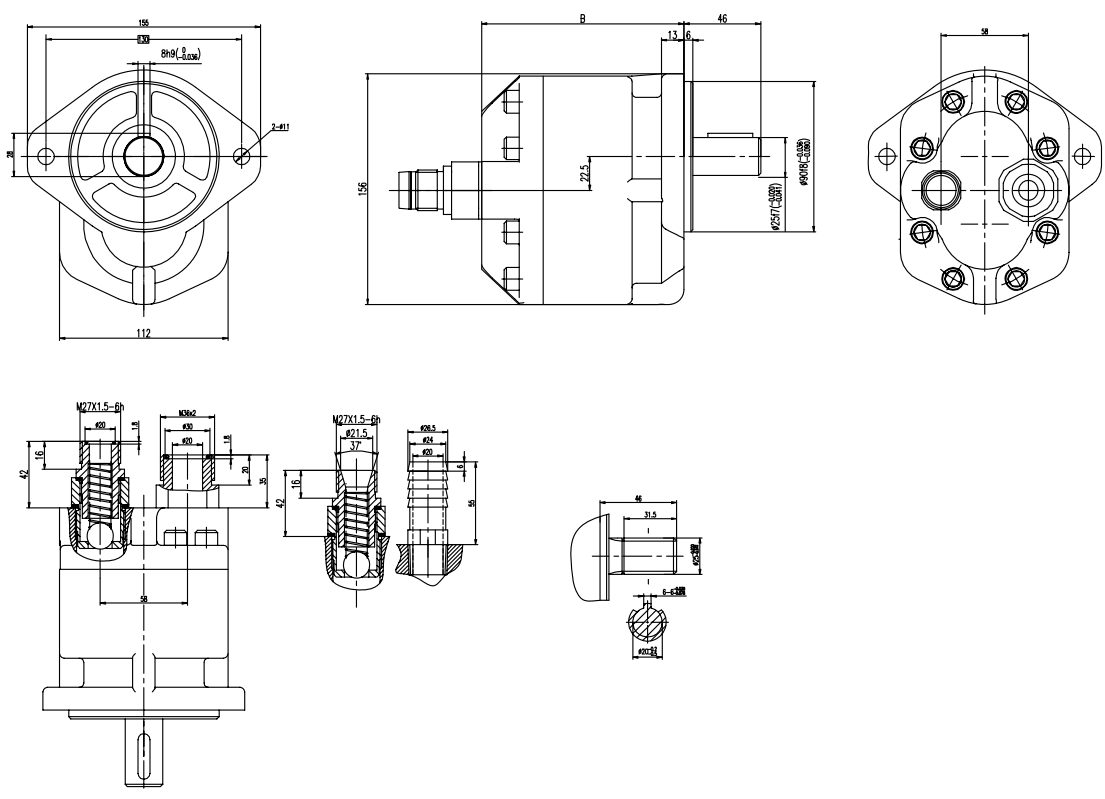
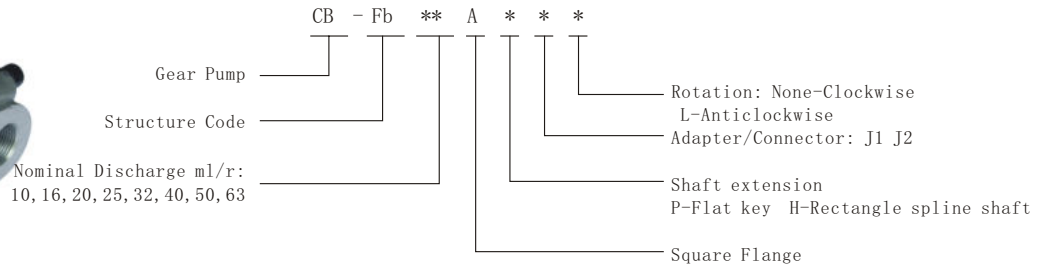


Involute spline Shaft Specification

Gear number	Divisor Modulus	Helix comer	M value $\phi 3$
13	1.667	0°	$\phi 27.563^{+0.172}_{-0.256}$

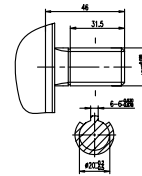
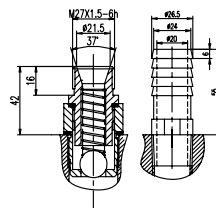
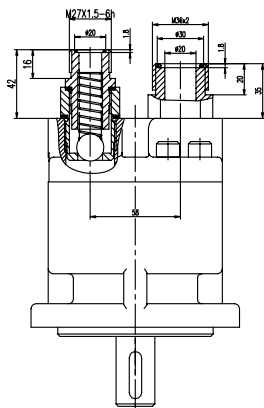
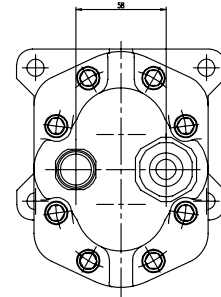
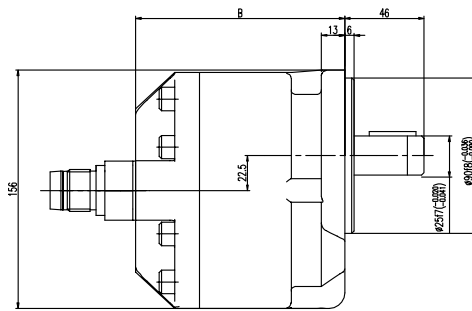
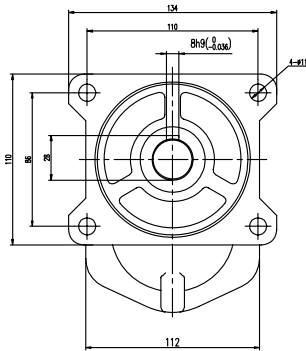
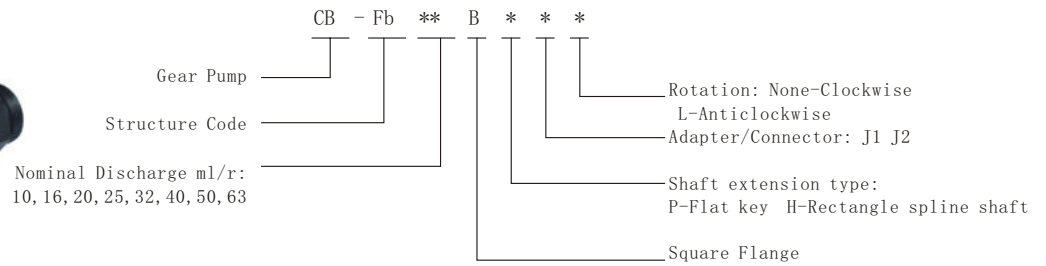
Model	Disp. (Ml/r)	Pressure (Mpa)		Speed (r/min)	
		Rated	Max.	Rated	Max.
CBX3028FJL-ST	28	4	6.3	2300	3000

CB-Fb**A SERIES GEAR PUMP



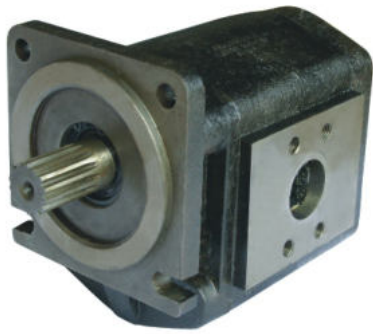
Model	Disp. (Ml/r)	Pressure (Mpa)		Speed (r/min)		B
		Rated	Max.	Rated	Max.	
CB-Fb10	10	20	25	2000	2500	105.5
CB-Fb16	16	20	25	2000	2500	109.5
CB-Fb20	20	20	25	2000	2500	112.5
CB-Fb25	25	20	25	2000	2500	115.5
CB-Fb32	32	20	25	2000	2500	120.5
CB-Fb40	40	20	25	2000	2500	125.5
CB-Fb50	50	20	25	2000	2500	134.5
CB-Fb63	63	20	25	2000	2500	142.5

CB-Fb**B SERIES GEAR PUMP



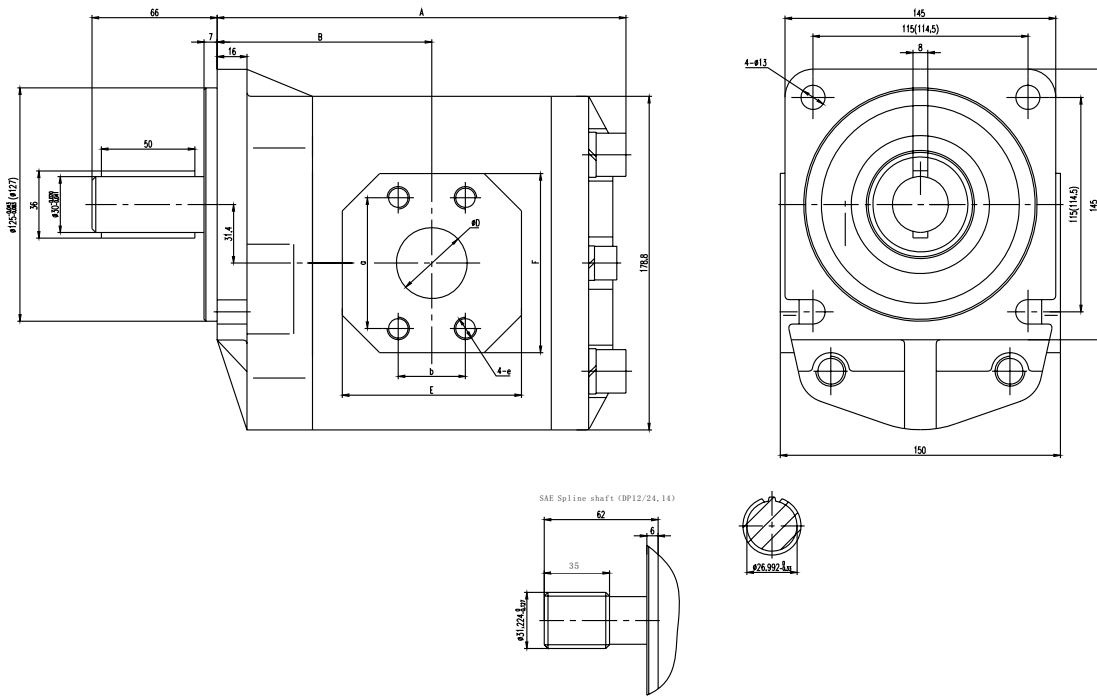
Model	Disp. (ml/r)	Pressure (Mpa)		Speed (r/min)		B
		Rated	Max.	Rated	Max.	
CB-Fb10	10	20	25	2000	2500	105.5
CB-Fb16	16	20	25	2000	2500	109.5
CB-Fb20	20	20	25	2000	2500	112.5
CB-Fb25	25	20	25	2000	2500	115.5
CB-Fb32	32	20	25	2000	2500	120.5
CB-Fb40	40	20	25	2000	2500	125.5
CB-Fb50	50	20	25	2000	2500	134.5
CB-Fb63	63	20	25	2000	2500	142.5

CBJ2 SERIES GEAR PUMP



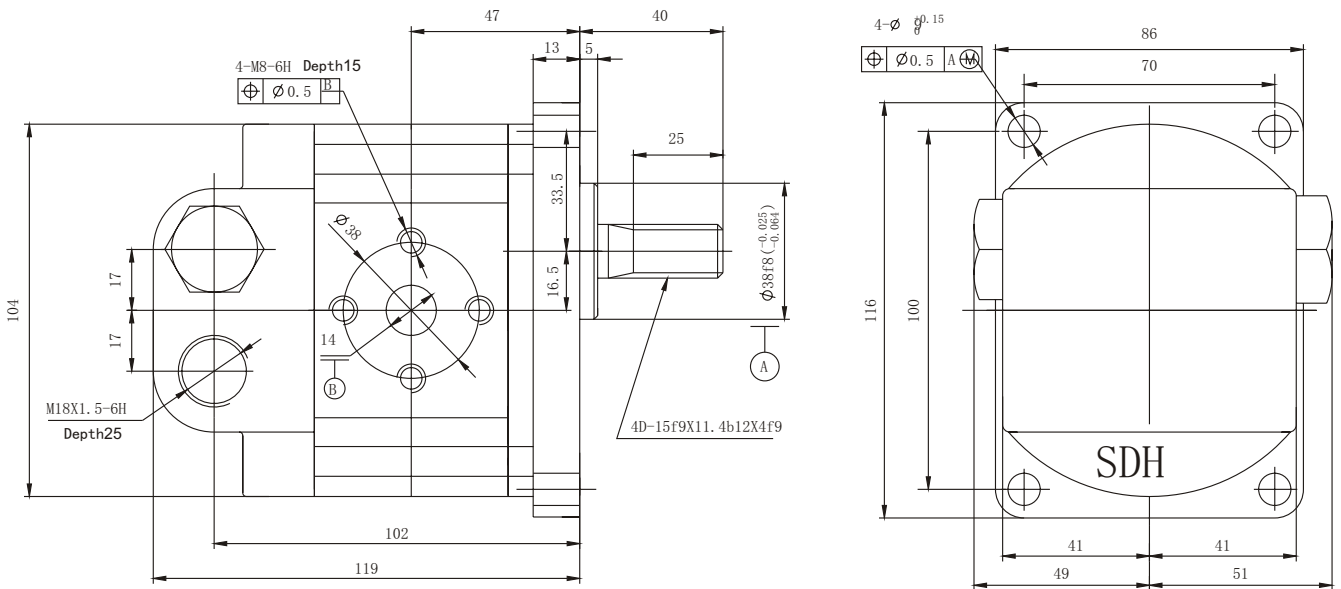
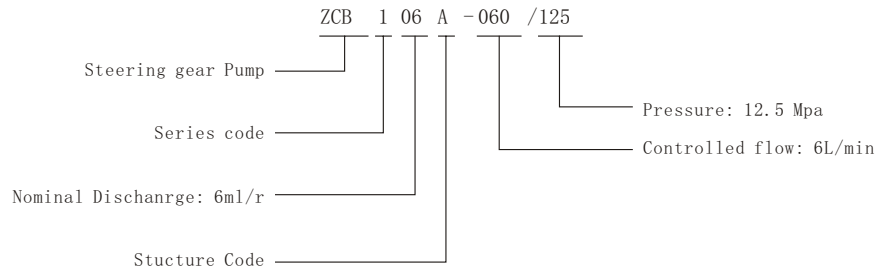
Steering gear Pump CB J 2 *** F * *
 Structure code
 Group code
 Displacement (ml/r) :
 32, 40, 50, 63, 80, 100

Rotation: None-Clockwise
 L-Anticlockwise
 Shaft: P-Flat key
 Oil in/outlet Thread connection



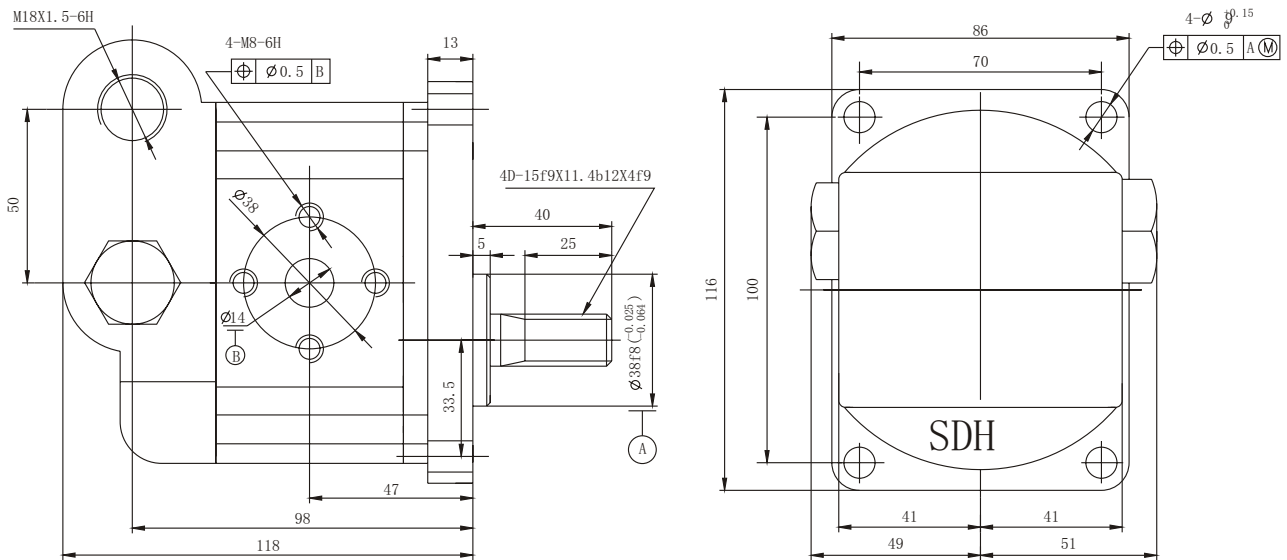
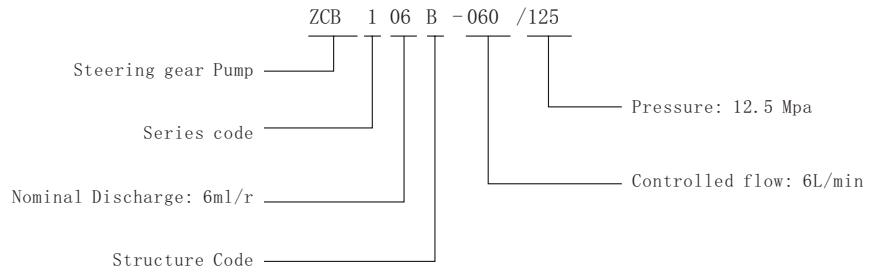
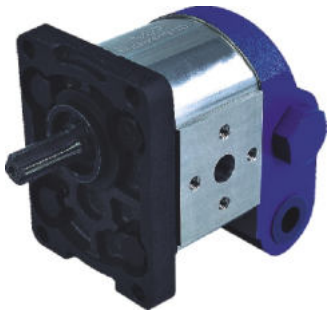
Model	Disp (Ml/r)	Pressure (Mpa)		Speed (r/min)		A	B	Inlet				Outlet			
		Rated	Max.	Rated	Max.			a	b	D	e	a	b	D	e
CBJ2032	32	20	25	2200	2800	188	99.5	48	22	19	M10	48	22	17	M8
CBJ2040	40	20	25	2200	2800	192	101	48	22	20	M10	48	22	18	M8
CBJ2050	50	20	25	2200	2800	196	103.5	52	26	25	M10	48	22	20	M8
CBJ2063	63	20	25	2200	2800	202	106.5	60	30	32	M10	52	26	25	M10
CBJ2080	80	20	25	2200	2800	210	110.5	70	36	35	M12	60	30	32	M10
CBJ2100	100	16	20	2200	2800	219	115	70	36	40	M12	60	30	32	M10

ZCB106A-060/125 SERIES POWER STEERING PUMP



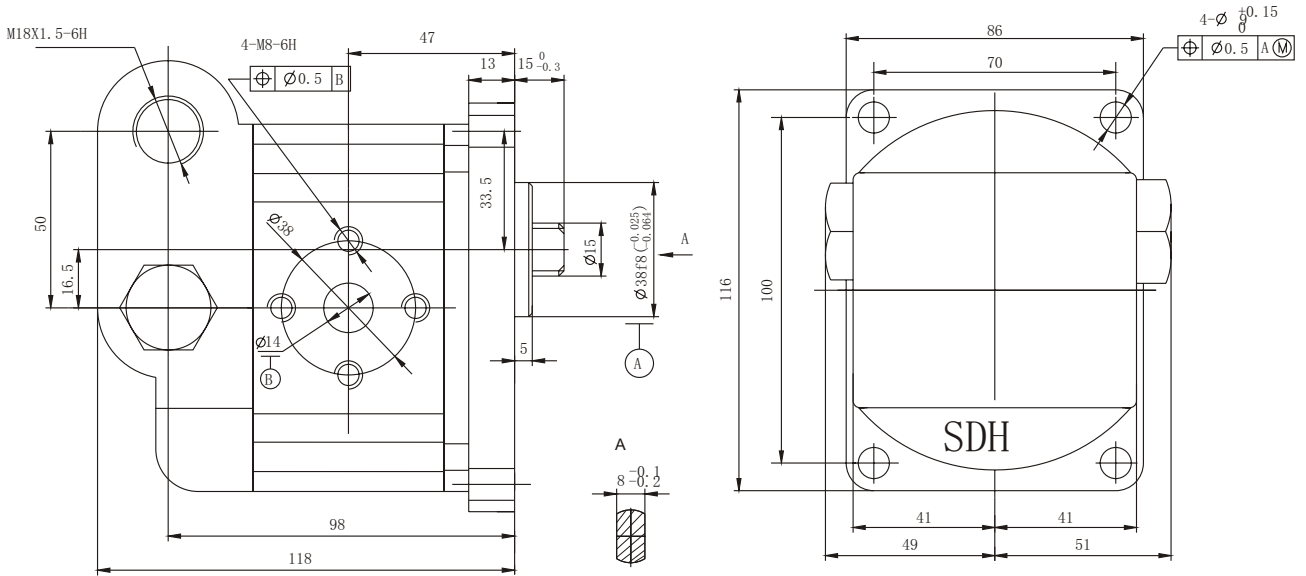
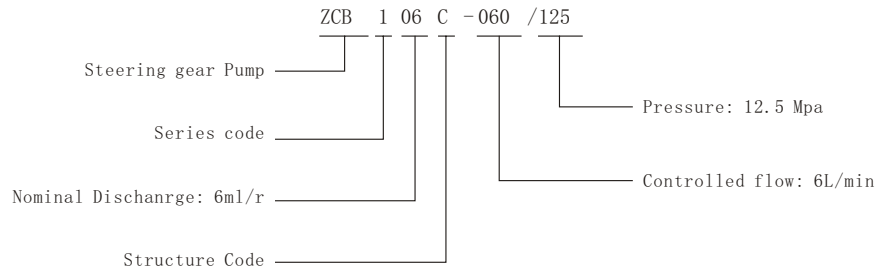
Model	Disp. (Ml/r)	Safety valve pressure (Mpa)	Speed range (r/min)	Controlled flow (L/min)
ZCB106A-060/125	6	12.5±0.5	1100~2000	6±0.5

ZCB106B-060/125 SERIES POWER STEERING PUMP



Model	Disp. (ml/r)	Safety valve pressure (Mpa)	Speed range (r/min)	Controlled flow (L/min)
ZCB106B-060/125	6	12.5 ± 0.5	1100 ~ 2000	6 ± 0.5

ZCB106C-060/125 SERIES POWER STEERING PUMP



Model	Disp. (ml/r)	Safety valve pressure (Mpa)	Speed range (r/min)	Controlled flow (L/min)
ZCB106C-060/125	6	12.5±0.5	1100~2000	6±0.5

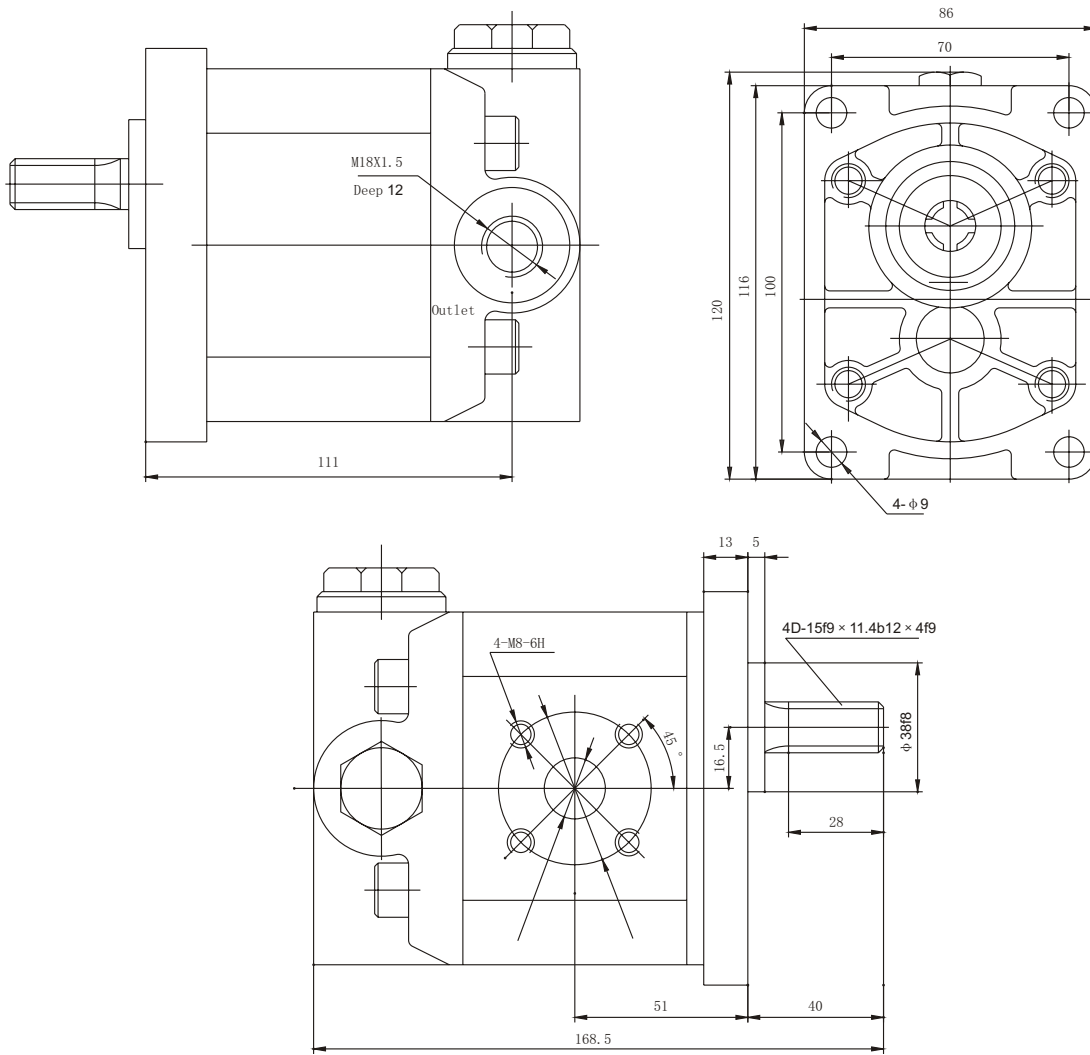
ZCB114-100/100 SERIES POWER STEERING PUMP



ZCB 1 14 -100 /100 *

Steering gear Pump ————
 Series code ————
 Nominal Discharge: 14ml/r ————

Rotation: None-Clockwise
 L-Anticlockwise
 Pressure: 10 Mpa
 Controlled flow: 10L/min

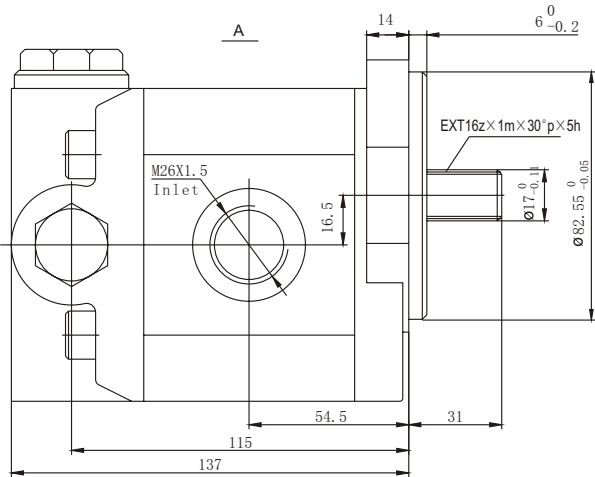
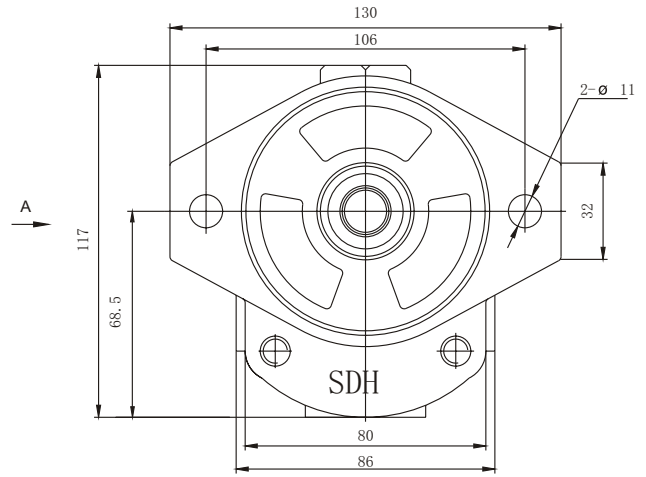
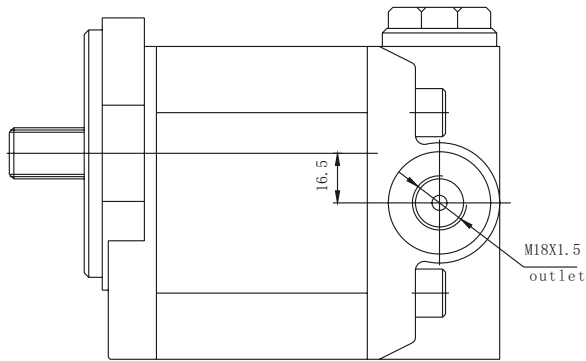


Model	Disp. (ml/r)	Safety valve pressure (Mpa)	Speed range (r/min)	Controlled flow (L/min)
ZCB106C-060/125	6	12.5 ± 0.5	1100 ~ 2000	6 ± 0.5

ZCB118-160/130* SERIES POWER STEERING PUMP



ZCB 1 18 -160 /130 *
 Steering gear Pump
 Series code
 Nominal Discharge: 18ml/r
 Rotation: None-Clockwise
 L-Anticlockwise
 Max. Pressure: 13 Mpa
 Controlled flow: 16L/min



Model	Disp. (ml/r)	Max. pressure (Mpa)	Speed range (r/min)	Controlled flow (L/min)
ZCB118-160/130	18	13	500~3200	16

ZCB118*-120/100 SERIES POWER STEERING PUMP

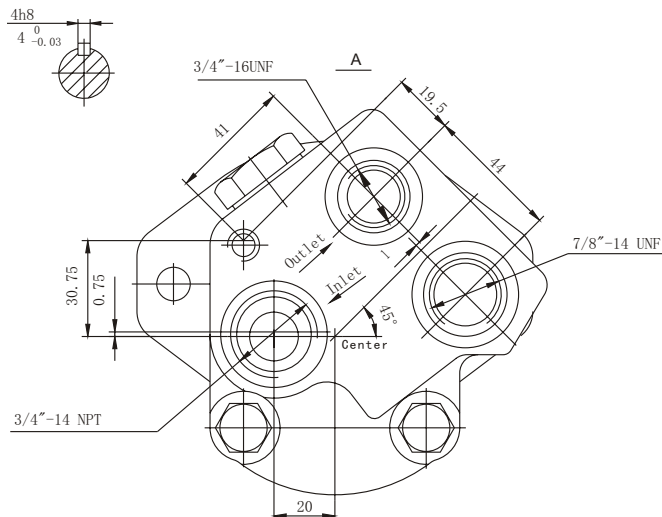
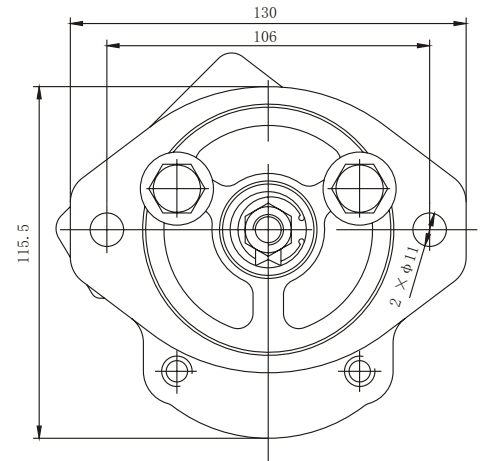
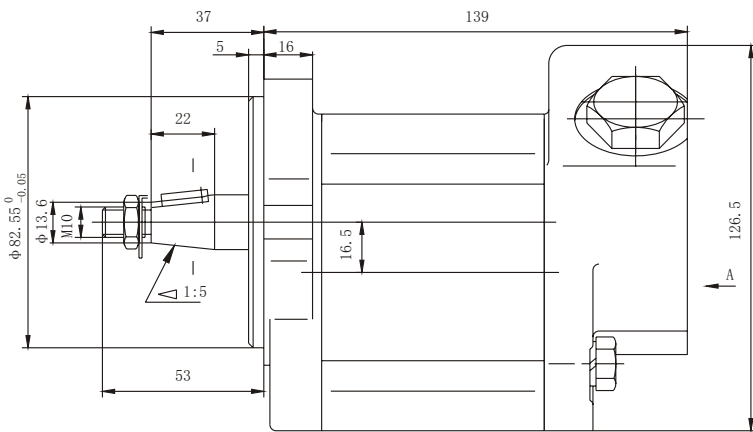


ZCB 1 18 * - 120 / 100

Steering gear Pump ———— Max. Pressure: 10 Mpa

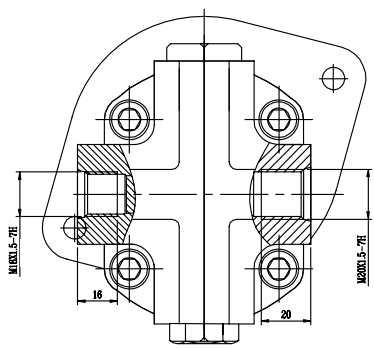
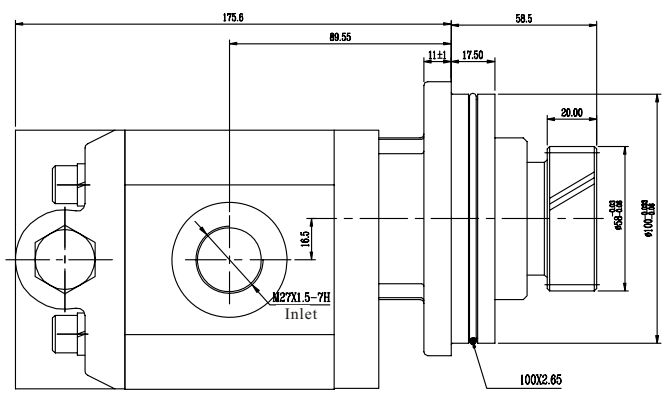
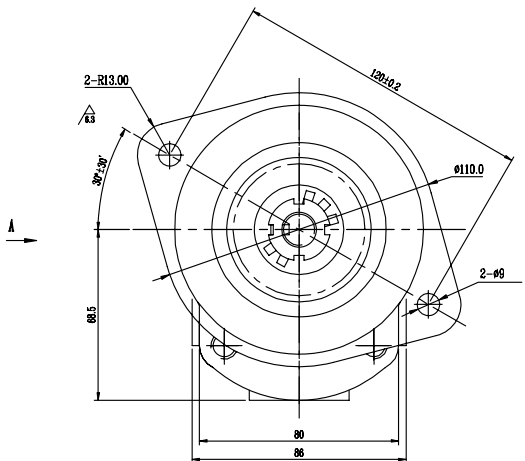
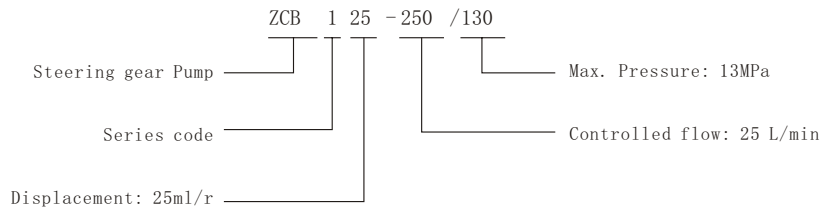
Series code ———— Controlled flow: 10L/min

Nominal Discharge: 18ml/r ———— None: SAE two-hole



Model	Disp. (ml/r)	Safety valve pressure (Mpa)	Speed range (r/min)	Controlled flow (L/min)
ZCB118-120/100	18	10	600~3000	12

ZCB125-250/130 SERIES POWER STEERING PUMP



Model	Disp. (ml/r)	Max. pressure (Mpa)	Speed range (r/min)	Controlled flow (L/min)	Max. Input power (kw)
ZCB125-250/130	25	13	500~3200	25	12



SHANGHAI DAZHONG HYDRAULIC TECHNOLOGY CO.,LTD.

Manufactory:2633 Bao'an Highway, Shanghai, 201801, China

Tel : 86-21-59108888

Fax :86-21-59108666

<http://www.sdh-hyd.com> E-mail: sdh@sdh-hyd.com

MEMBER OF SHANGLI HEAVY INDUSTRY