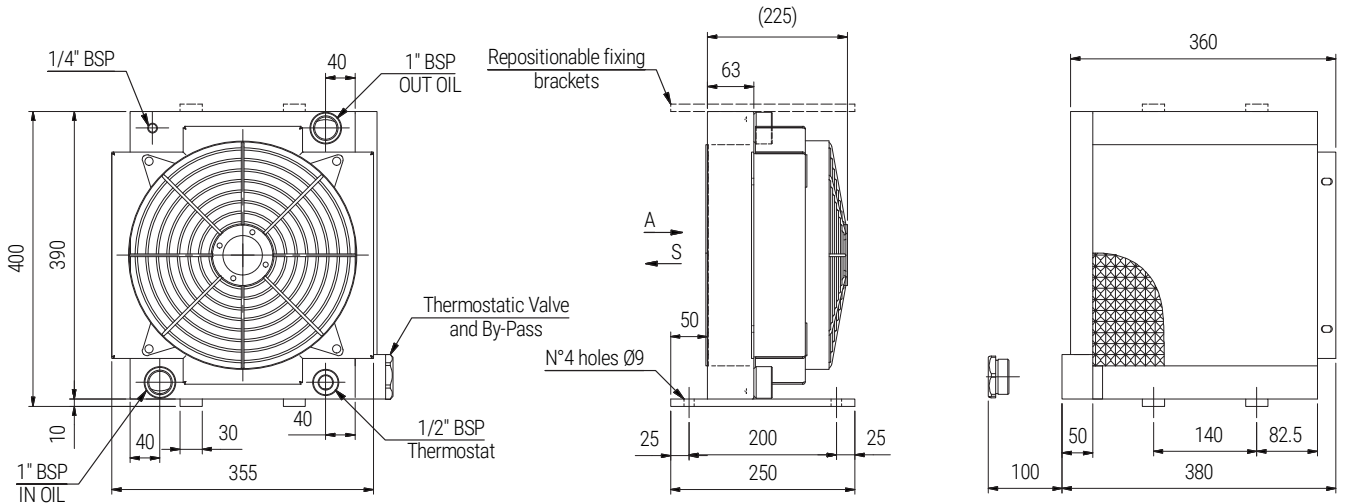
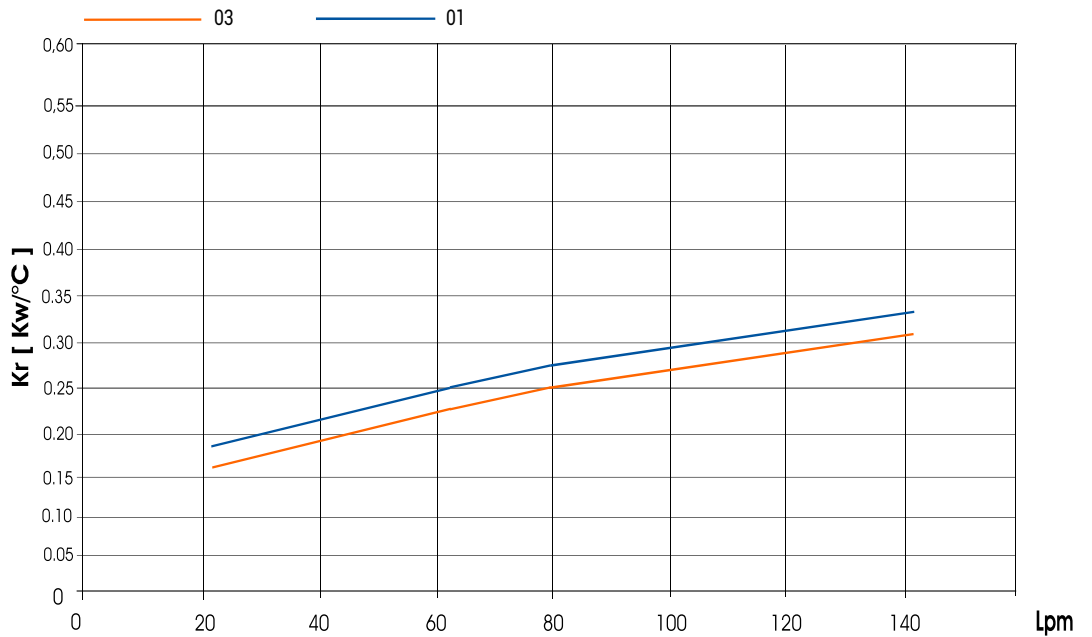


SSPV12.01 / SSPV12.03

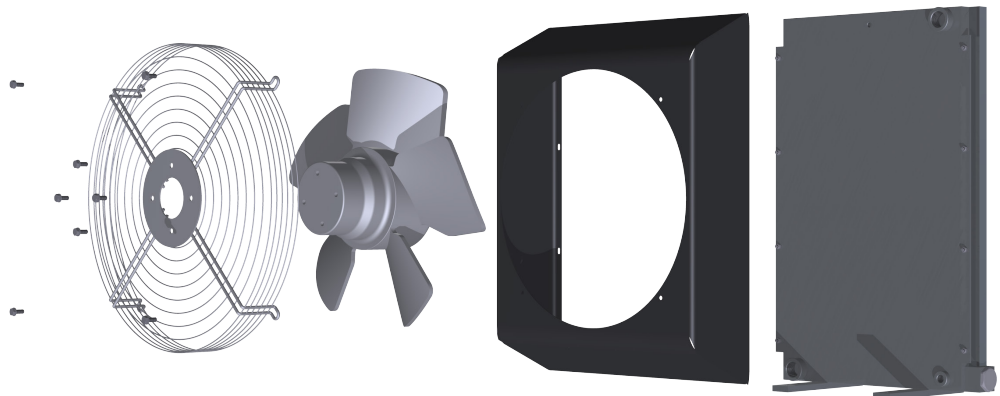


Type	Frequency HZ	Voltage V	RPM	Power KW	Fan Diameter mm	Noise level dB (A)	Air flow rate m ³ /h	Capacity lt	Weight KG	IP
01	50/60	230	2300/2250	0,145/0,175	300	64	2010	1,8	16	44
03	50/60	400	1380/1550	0,075/0,095		62	1870			

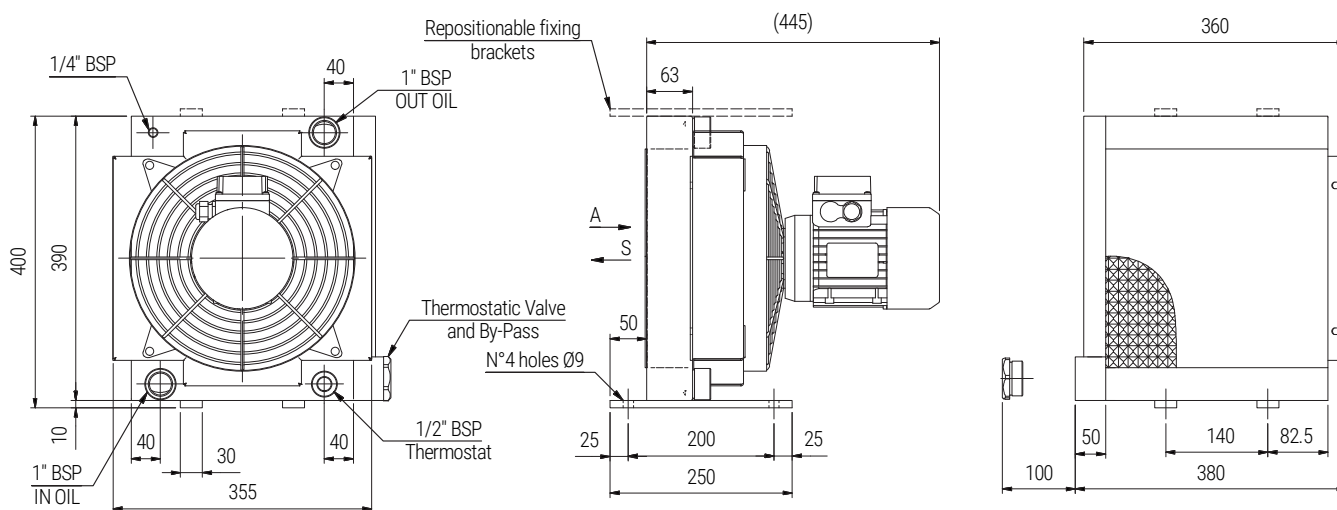
PERFORMANCE DIAGRAM



Fluid power handling

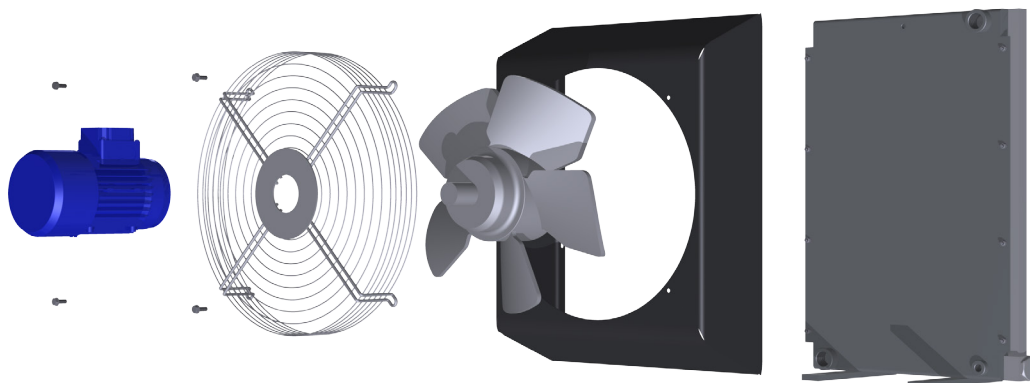
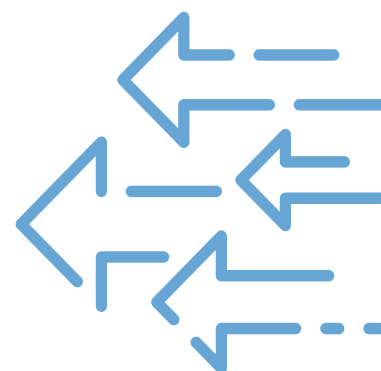
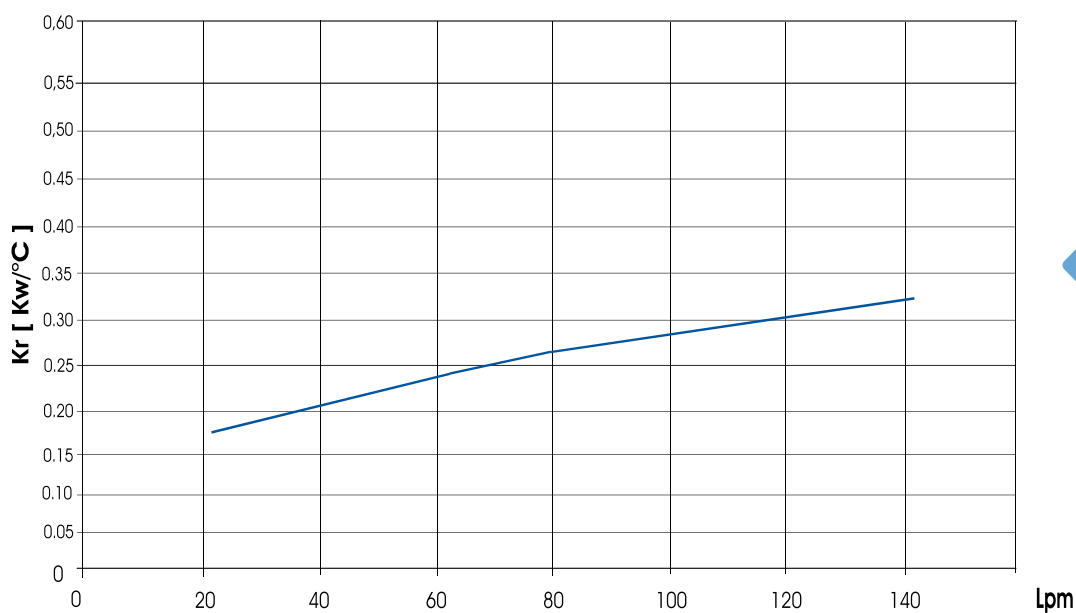


SSPV12.14



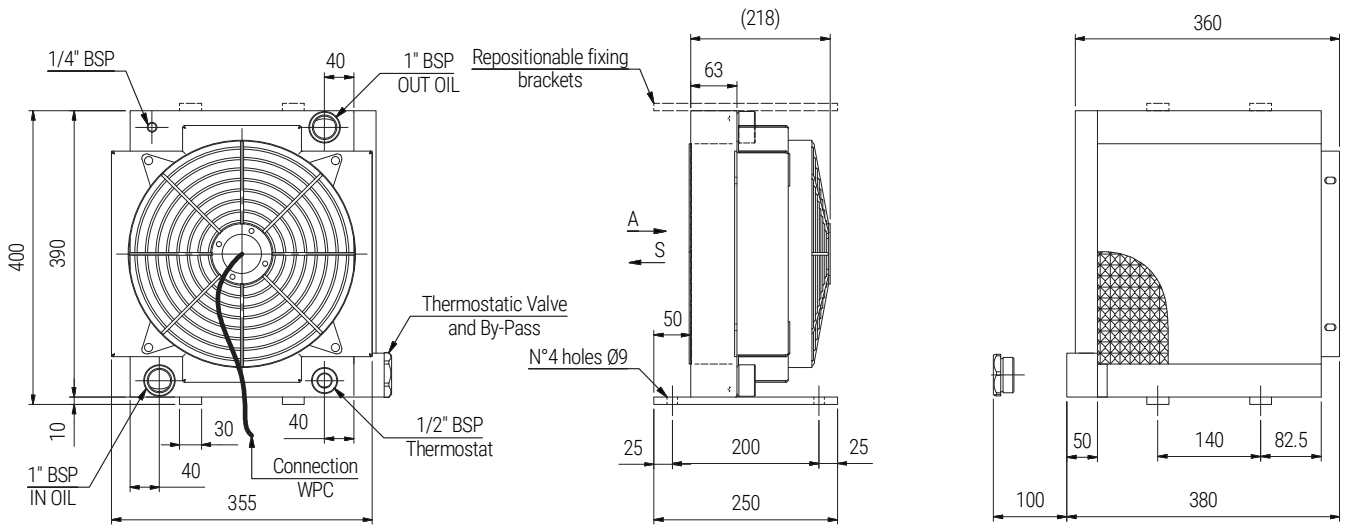
Type	Frequency HZ	Voltage V	RPM	Power KW	Fan Diameter mm	Noise level dB (A)	Air flow rate m ³ /h	Capacity lt	Weight KG	IP
14	50	230/400	1390	0,370	315	71	2200	1,8	18	55
	60	276/480	1685	0,440		72	2300			

PERFORMANCE DIAGRAM



HEAT EXCHANGERS

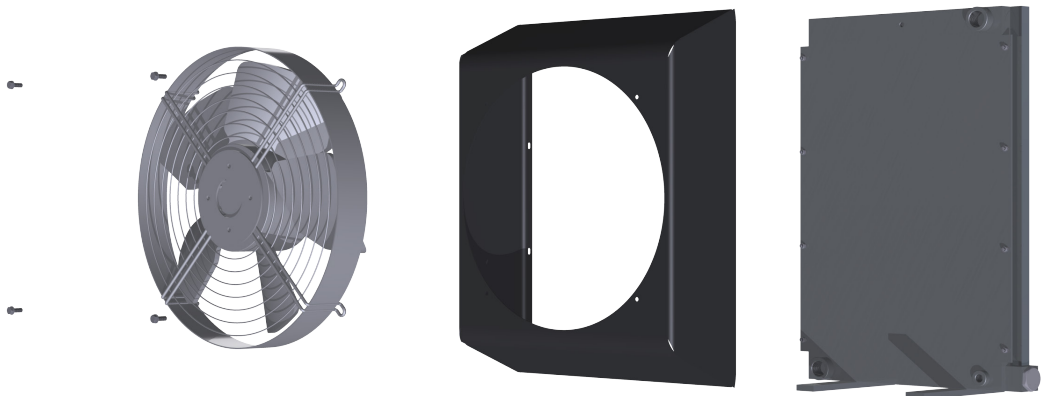
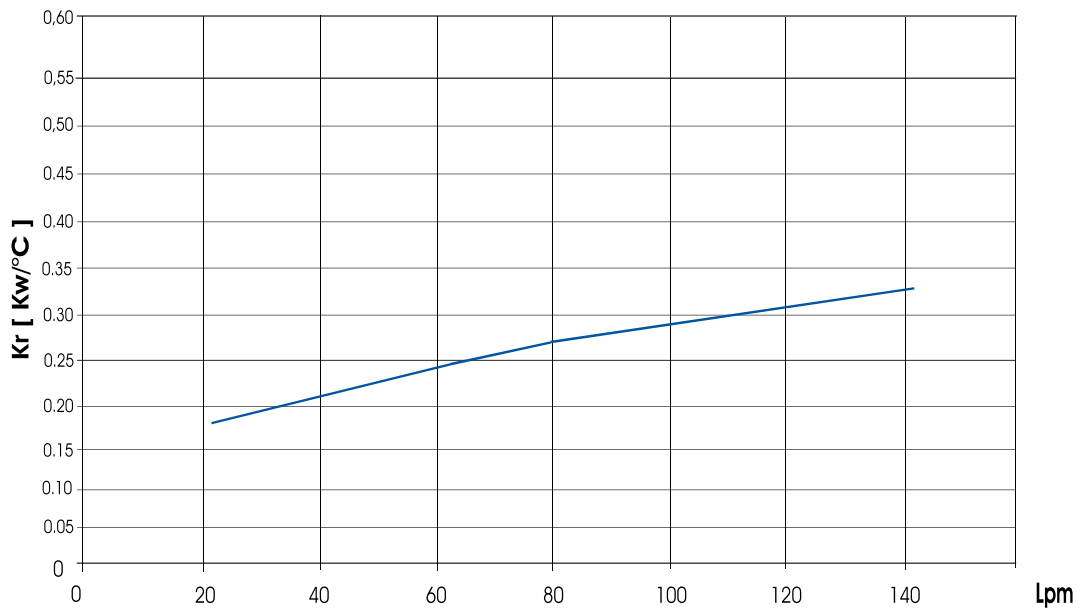
SSPV12.12 / SSPV12.24



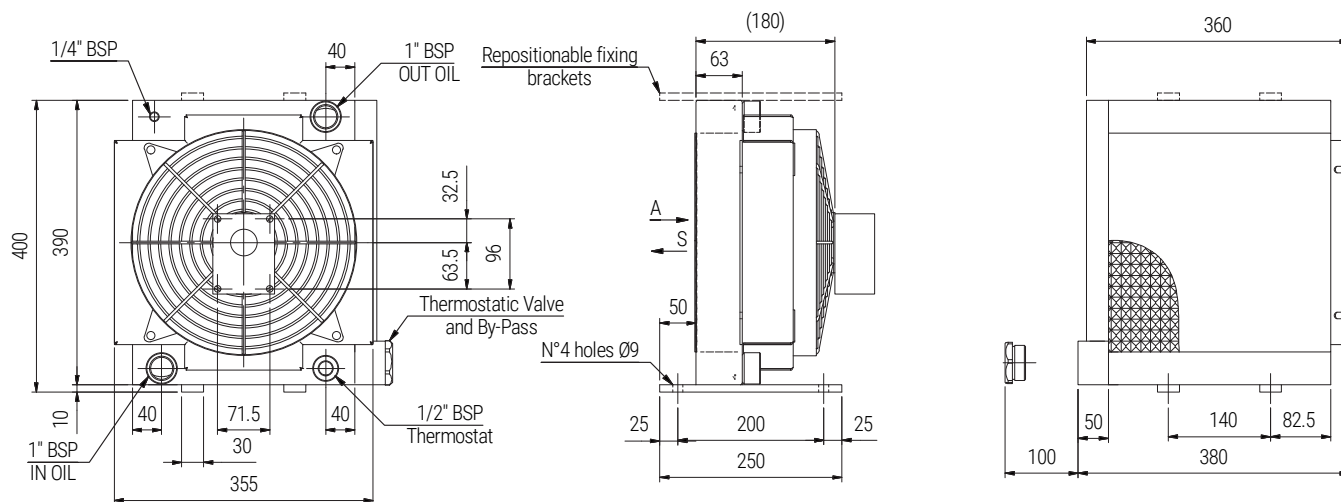
Type	Frequency HZ	Voltage V	RPM	Power KW	Fan Diameter mm	Noise level dB (A)	Air flow rate m ³ /h	Capacity lt	Weight KG	IP
12	DC	12	3090	0,218	305	68	2600	1,8	15	68
24		24					2350			

PERFORMANCE DIAGRAM

Fluid power handling

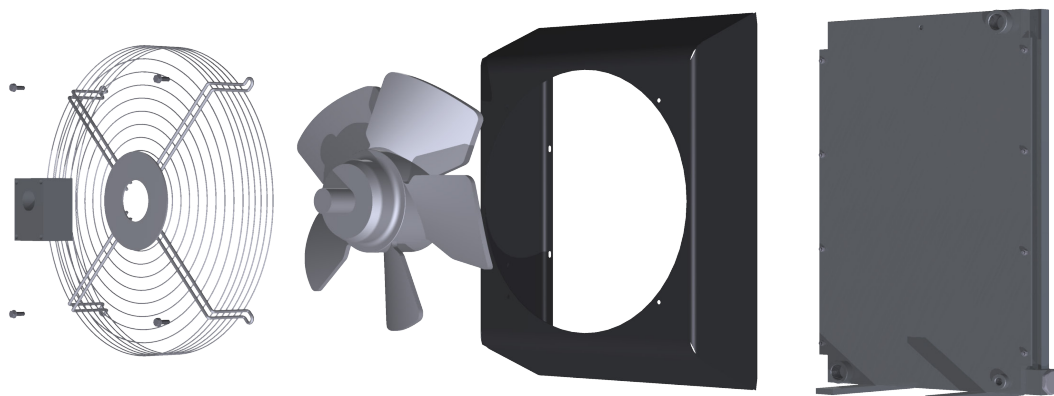
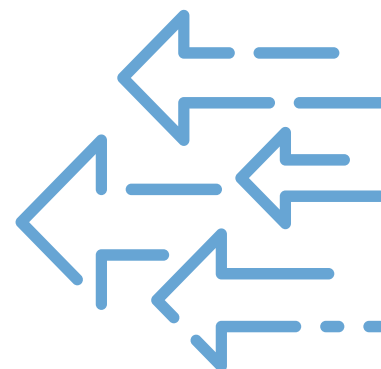
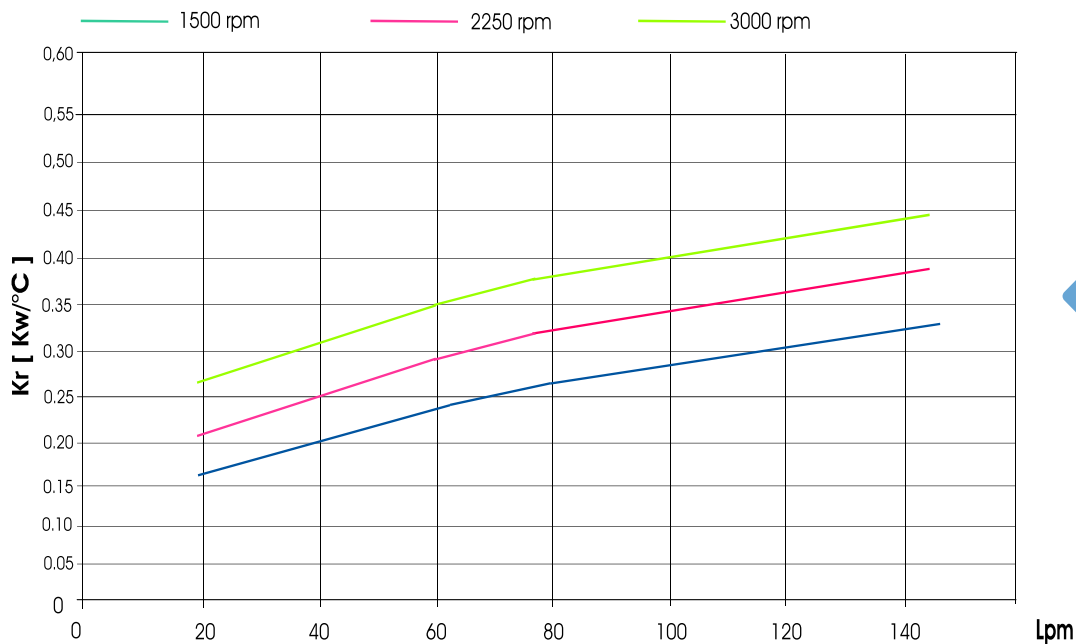


SSPV12.G2



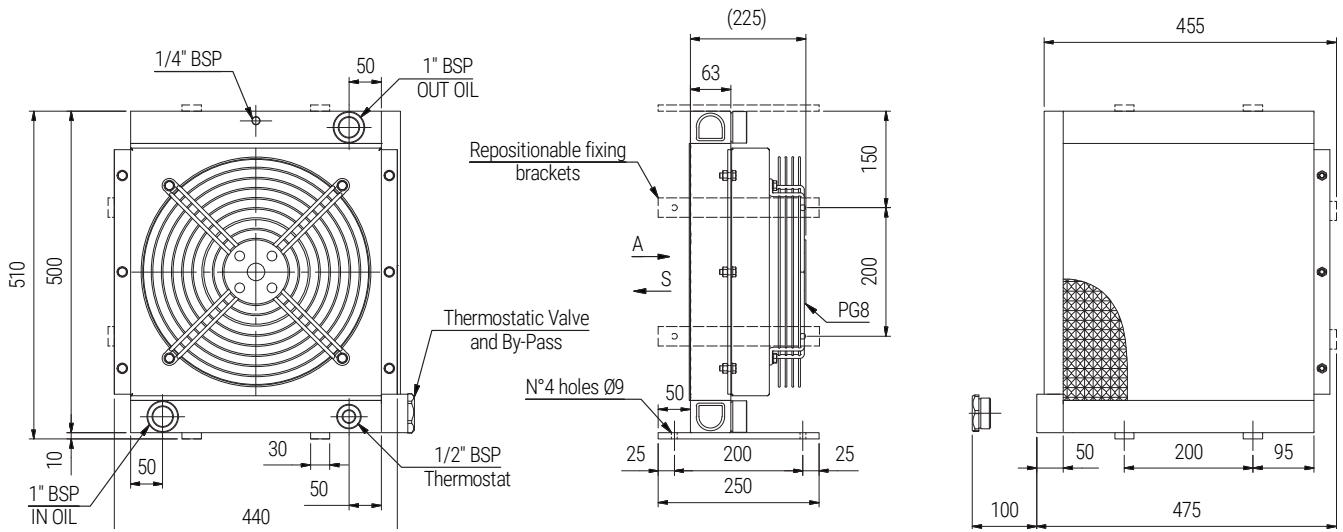
Type	Frequency HZ	Voltage V	RPM	Power KW	Fan Diameter mm	Noise level dB (A)	Air flow rate m ³ /h	Capacity lt	Weight KG	IP
G2			800/3000		300			1,8	14	

PERFORMANCE DIAGRAM



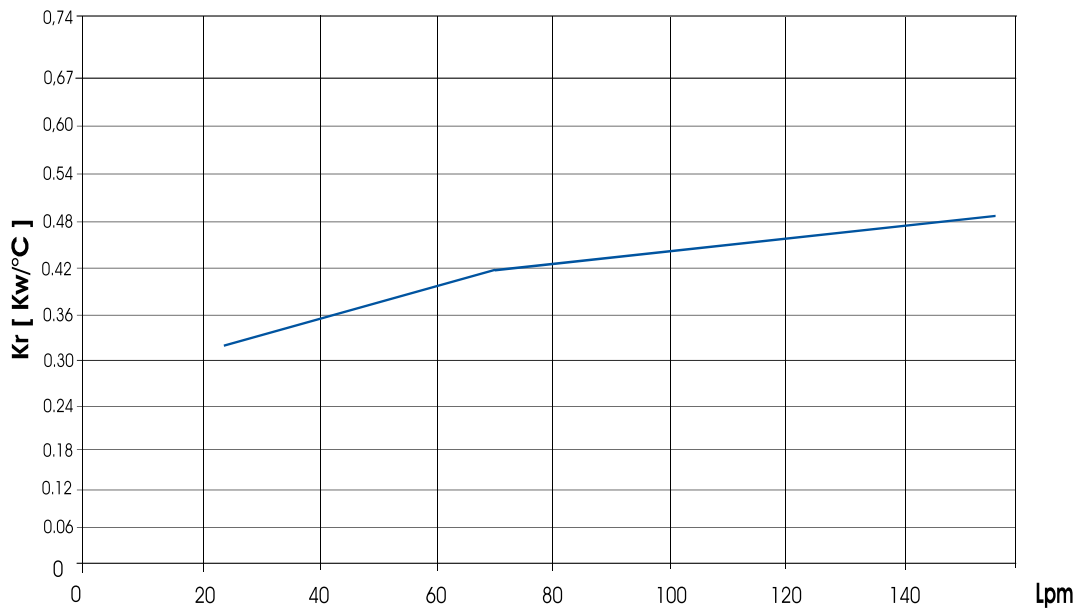
HEAT EXCHANGERS

SSPV18.01 / SSPV18.03

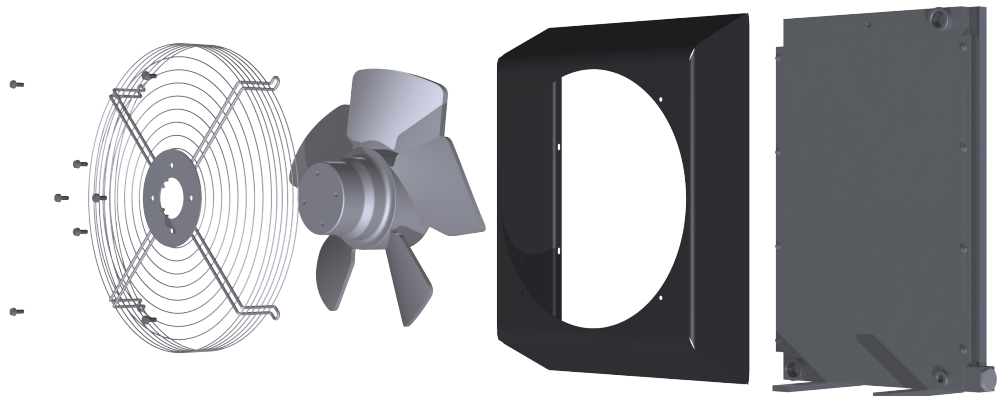


Type	Frequency HZ	Voltage V	RPM	Power KW	Fan Diameter mm	Noise level dB (A)	Air flow rate m ³ /h	Capacity lt	Weight KG	IP
01	50/60	230	1380/1550	0,180/0,250	400	68	4000	2,8	19	44
03	50/60	400	1380/1520	0,180/0,250		68	4300			

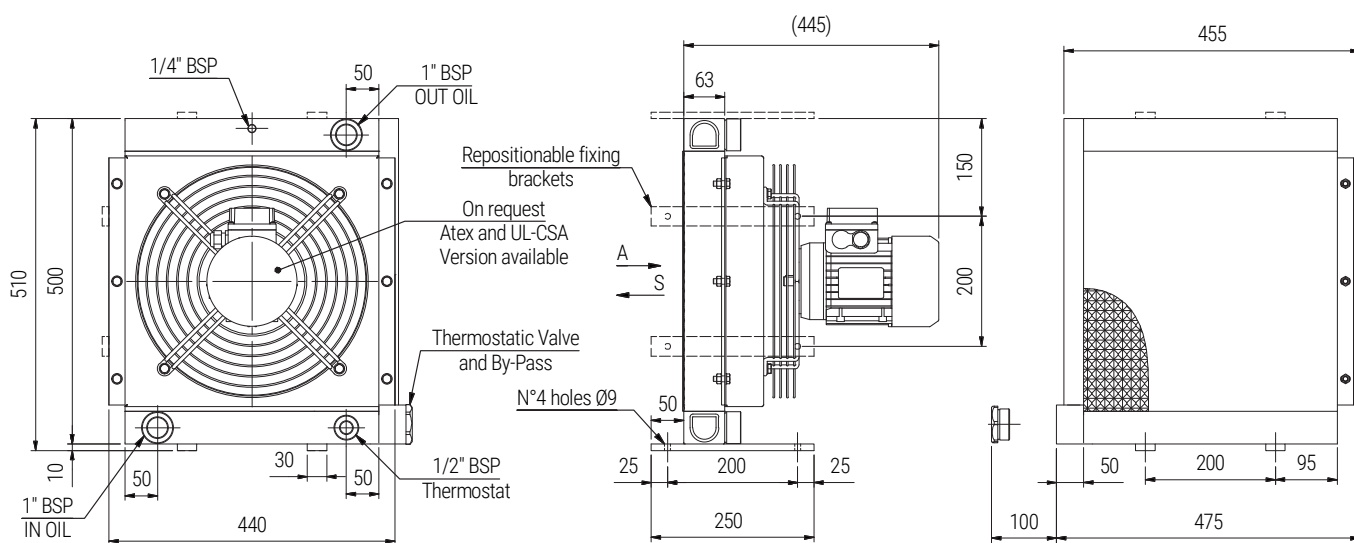
PERFORMANCE DIAGRAM



Fluid power handling

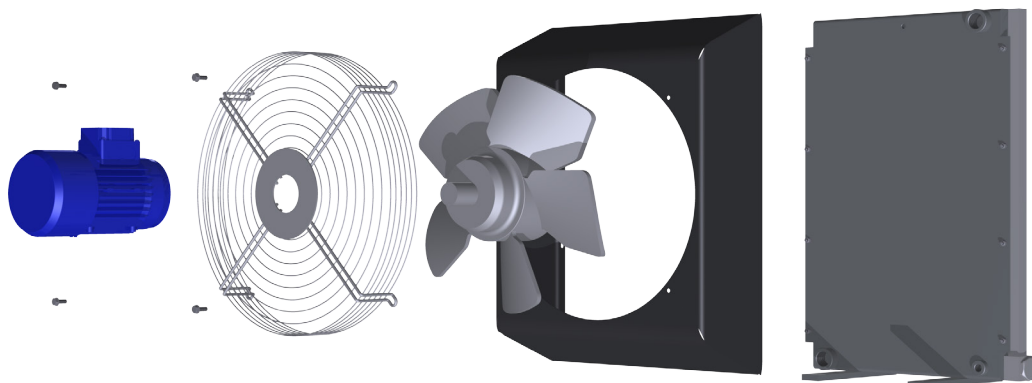
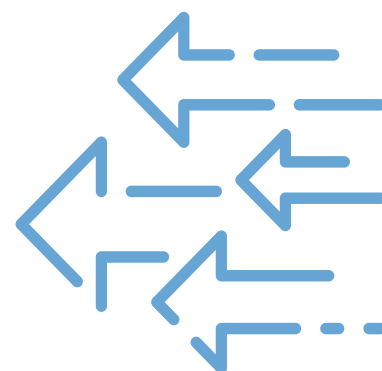
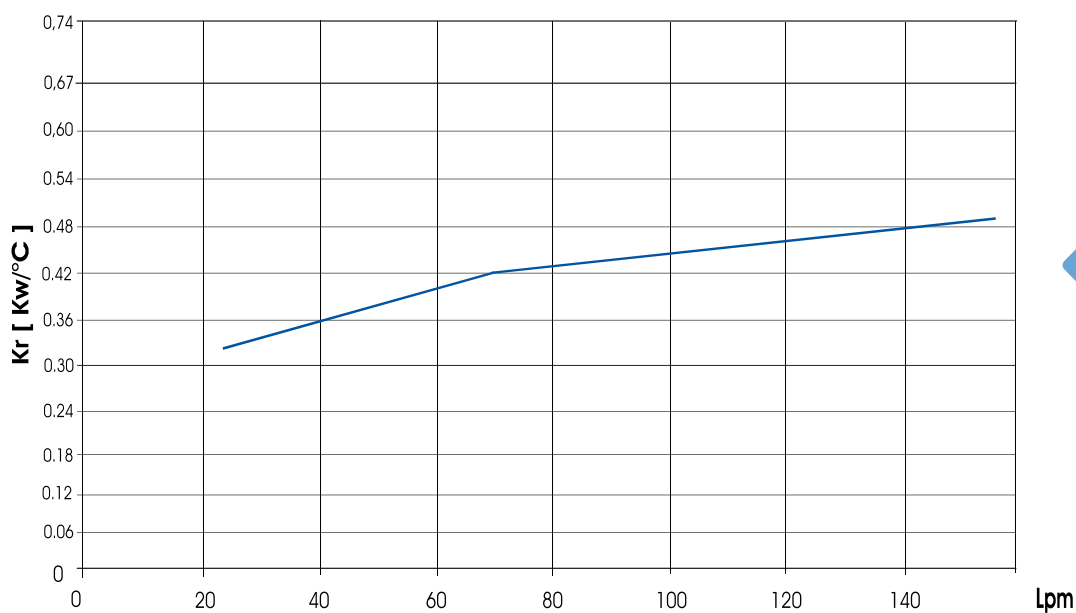


SSPV18.14



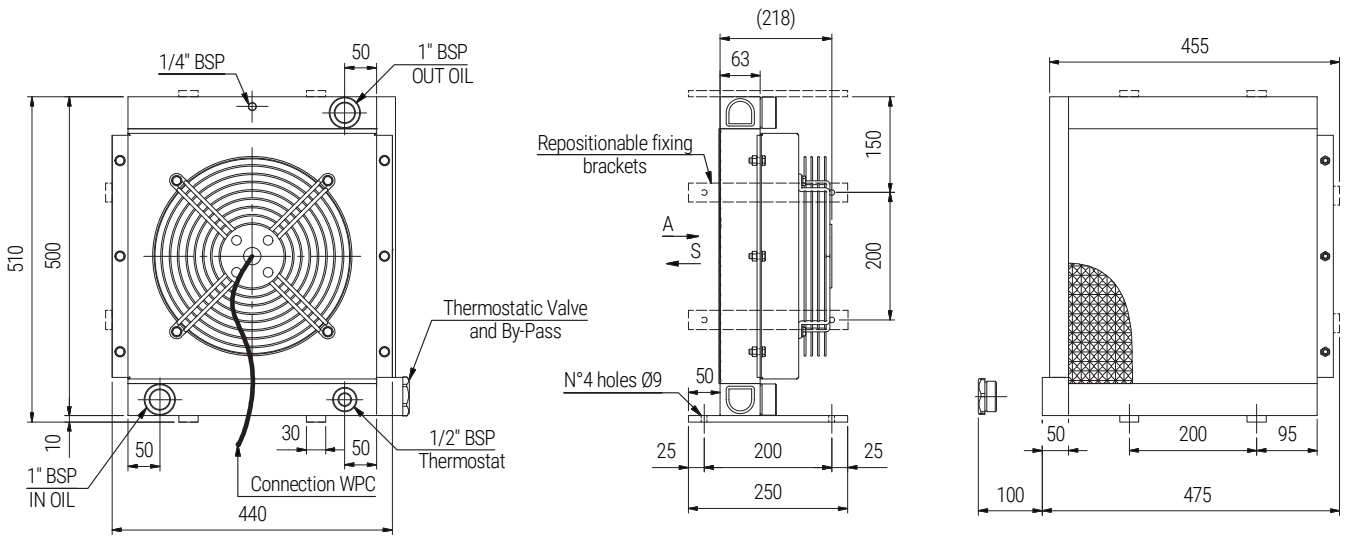
Type	Frequency HZ	Voltage V	RPM	Power KW	Fan Diameter mm	Noise level dB (A)	Air flow rate m ³ /h	Capacity lt	Weight KG	IP
14	50	230/400	1390	0,550	400	70	4000	2,8	21	55
	60	276/480	1685	0,660		71	4230			

PERFORMANCE DIAGRAM



HEAT EXCHANGERS

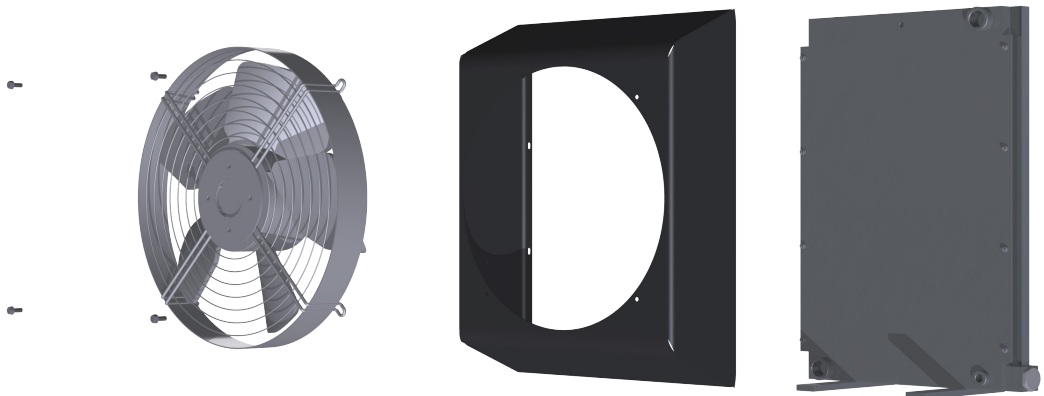
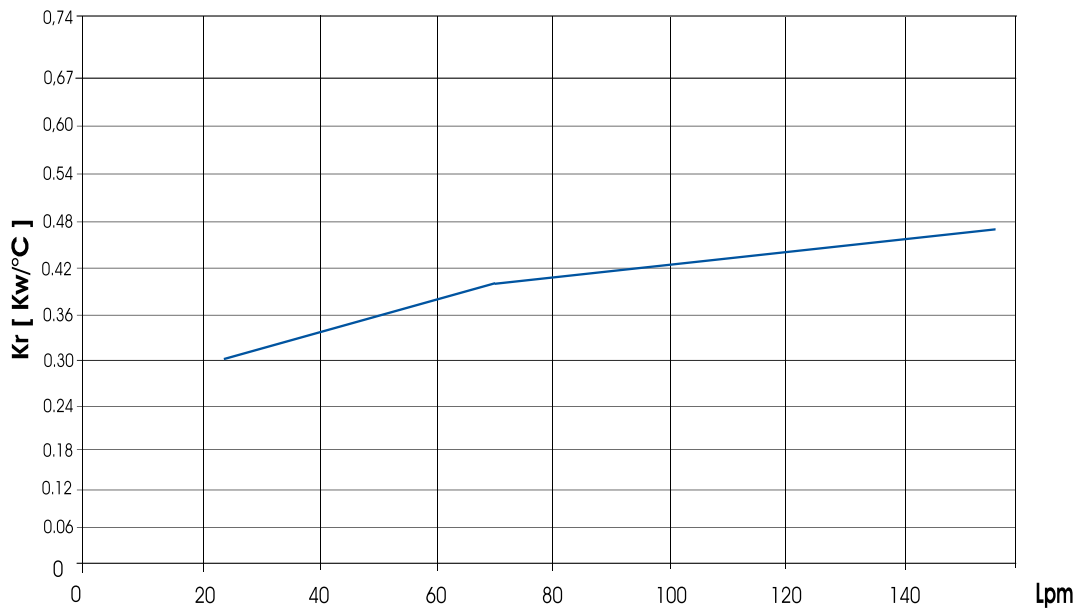
SSPV18.12 / SSPV18.24



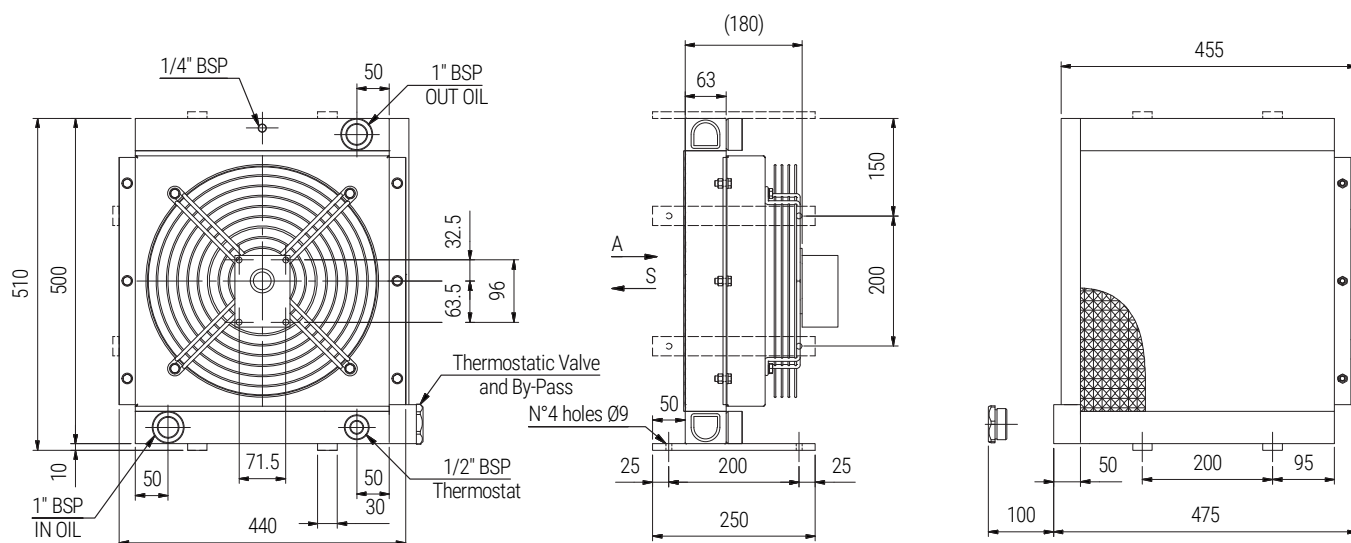
Type	Frequency HZ	Voltage V	RPM	Power KW	Fan Diameter mm	Noise level dB (A)	Air flow rate m ³ /h	Capacity lt	Weight KG	IP
12	DC	12	2248	0.151	385	77	2950	3.1	18	68
24		24					3100			

PERFORMANCE DIAGRAM

Fluid power handling

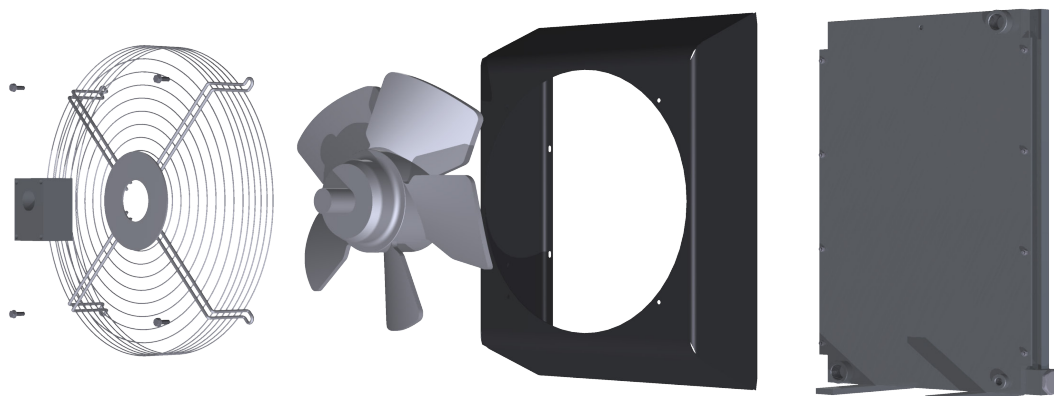
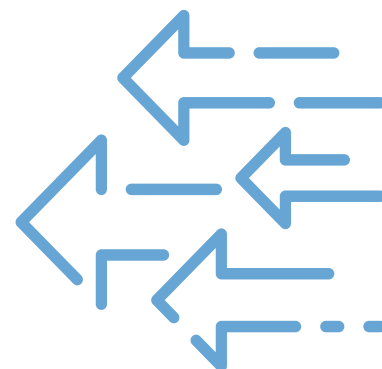
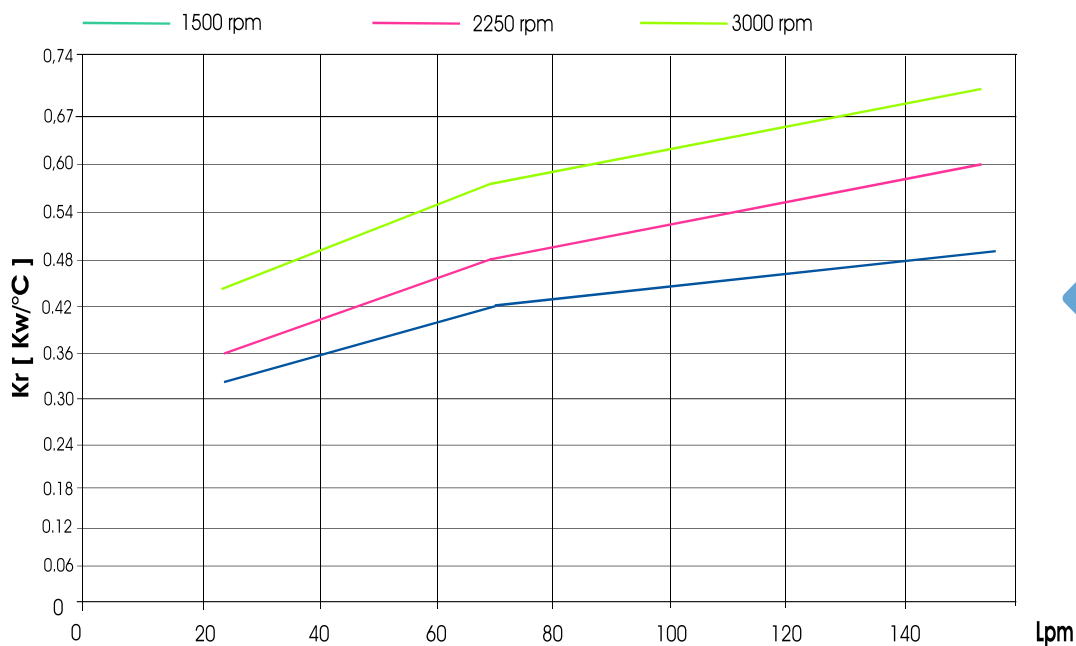


SSPV18.G2



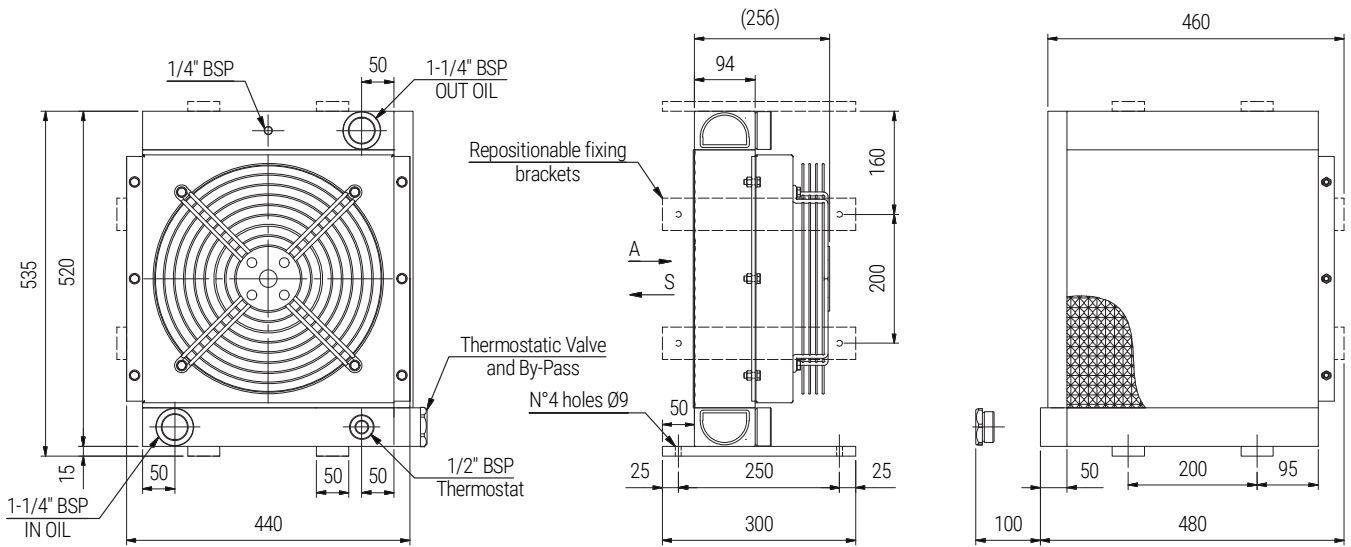
Type	Frequency HZ	Voltage V	RPM	Power KW	Fan Diameter mm	Noise level dB (A)	Air flow rate m ³ /h	Capacity lt	Weight KG	IP
G2			800/3000		400			2,8	20	

PERFORMANCE DIAGRAM



HEAT EXCHANGERS

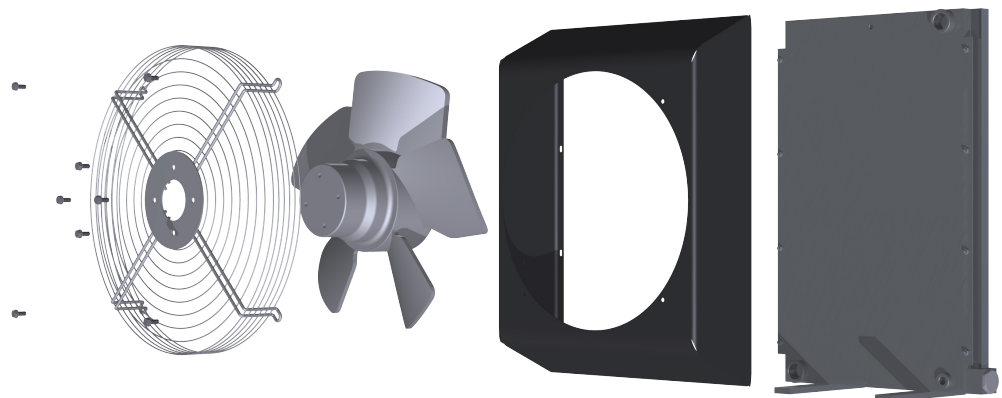
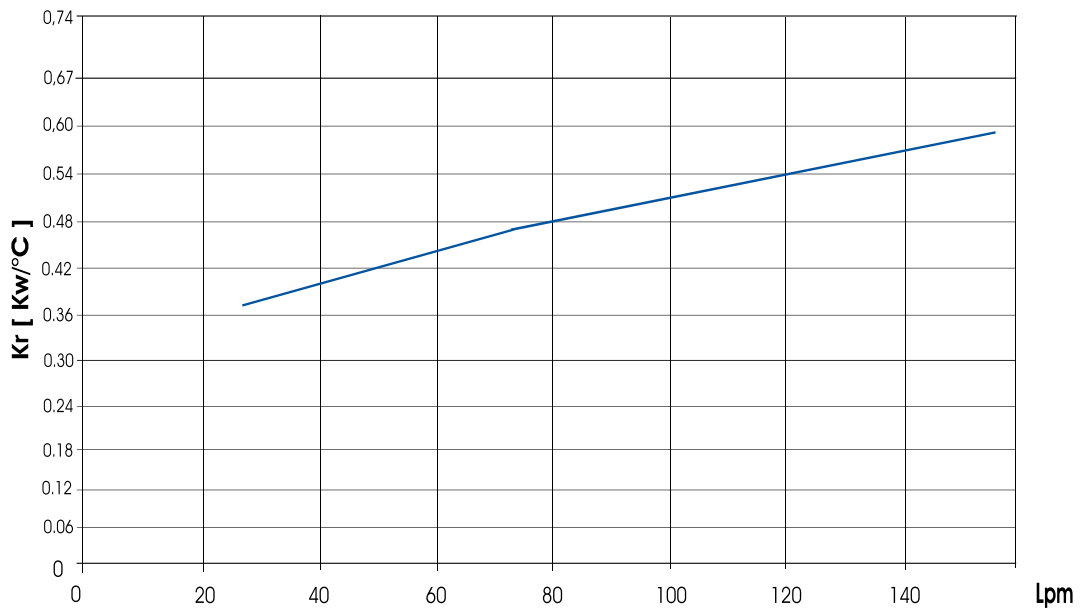
SSPV24.01 / SSPV24.03



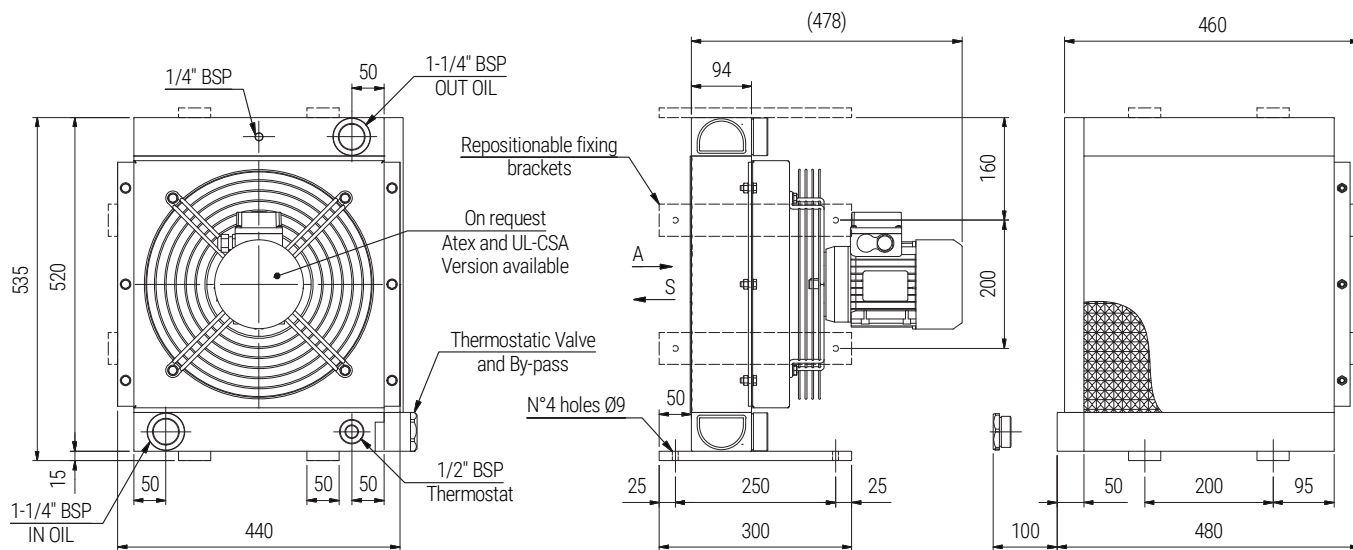
Type	Frequency HZ	Voltage V	RPM	Power KW	Fan Diameter mm	Noise level dB (A)	Air flow rate m ³ /h	Capacity lt	Weight KG	IP
01	50/60	230	1380/1550	0,180/0,250	400	68	3900	3,1	22	44
03	50/60	400	1380/1520	0,180/0,250		68	4100			

PERFORMANCE DIAGRAM

Fluid power handling

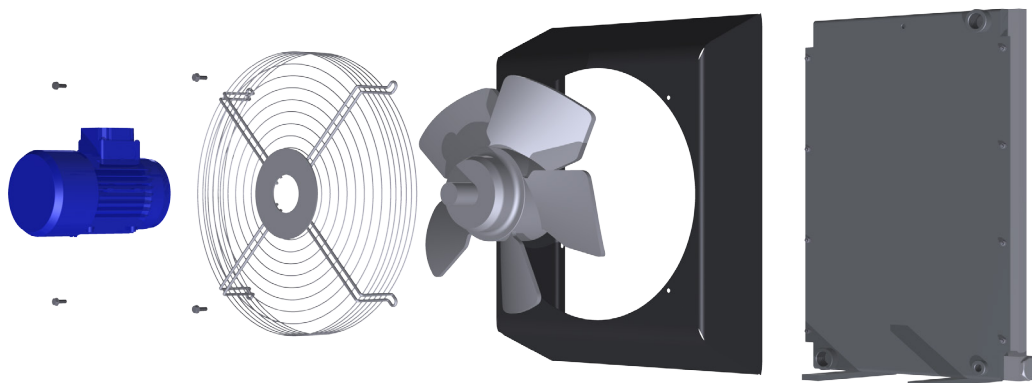
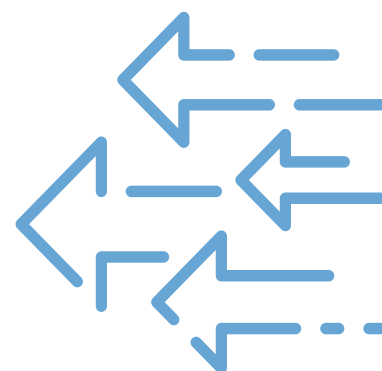
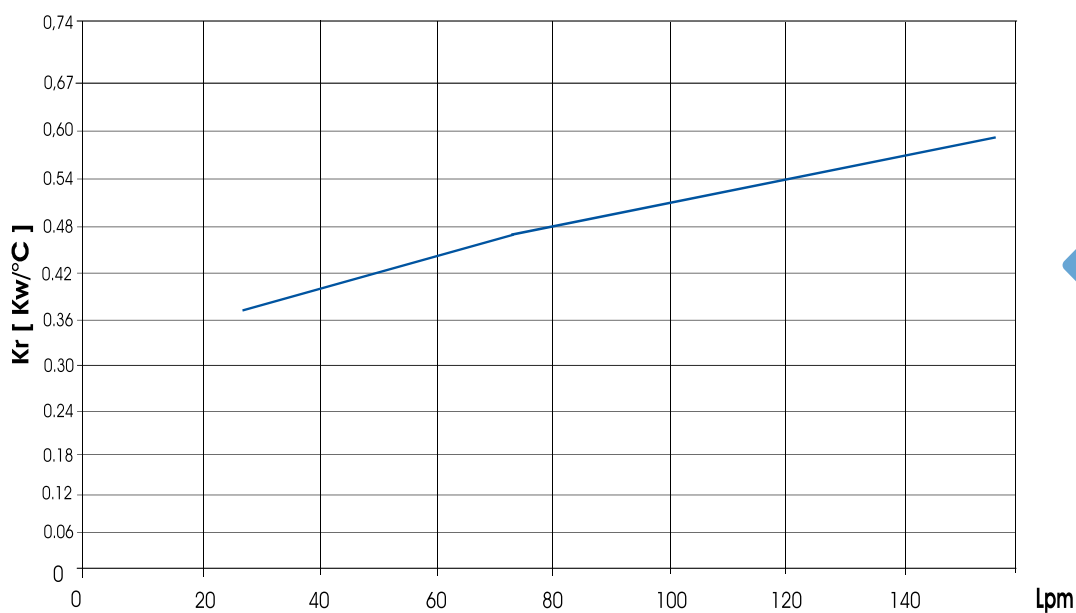


SSPV24.14



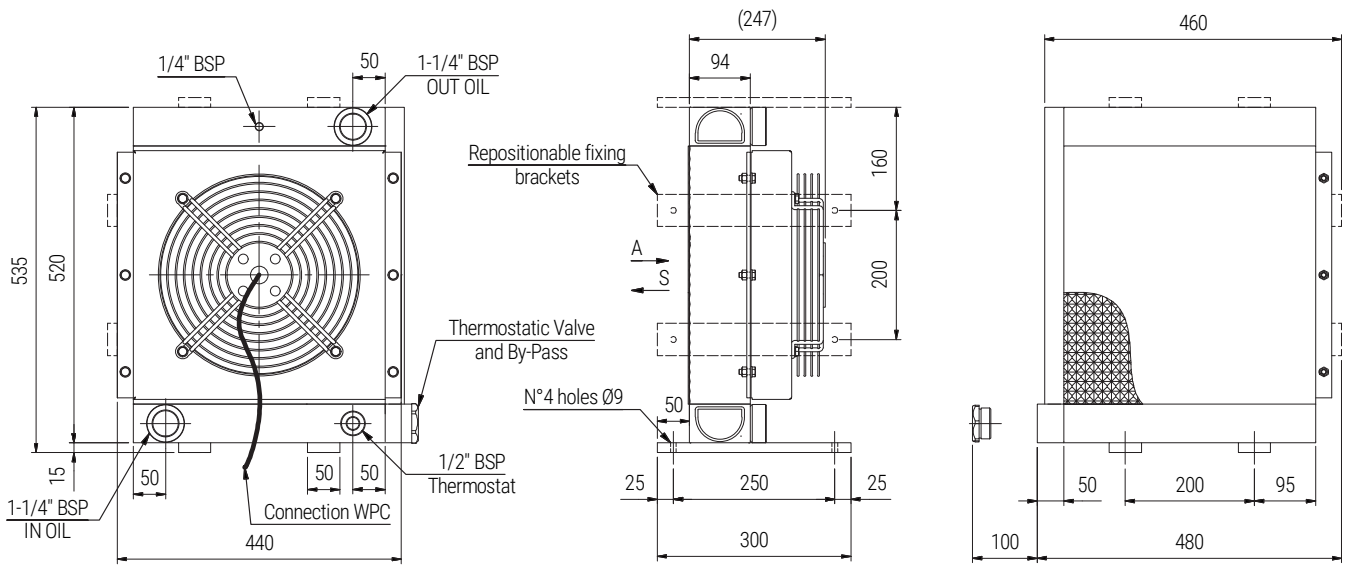
Type	Frequency HZ	Voltage V	RPM	Power KW	Fan Diameter mm	Noise level dB (A)	Air flow rate m ³ /h	Capacity lt	Weight KG	IP
14	50	230/400	1390	0,550	400	70	3850	3,1	27	55
	60	276/480	1685	0,660		71	4030			

PERFORMANCE DIAGRAM



HEAT EXCHANGERS

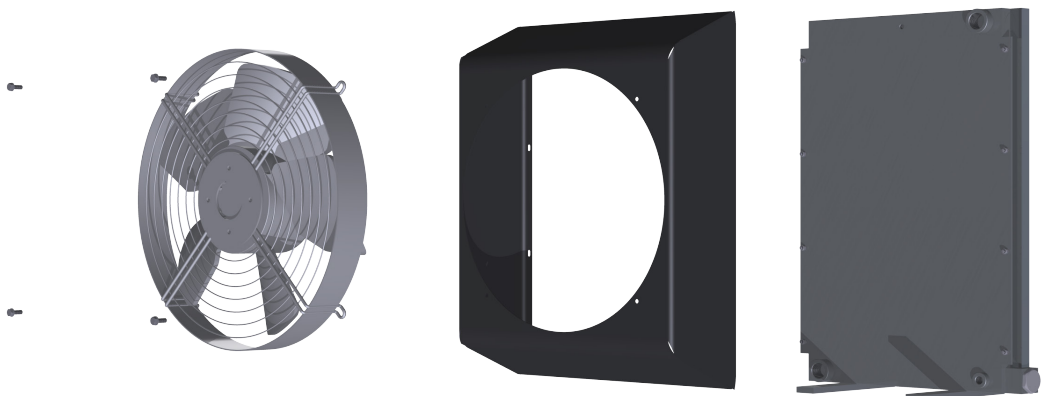
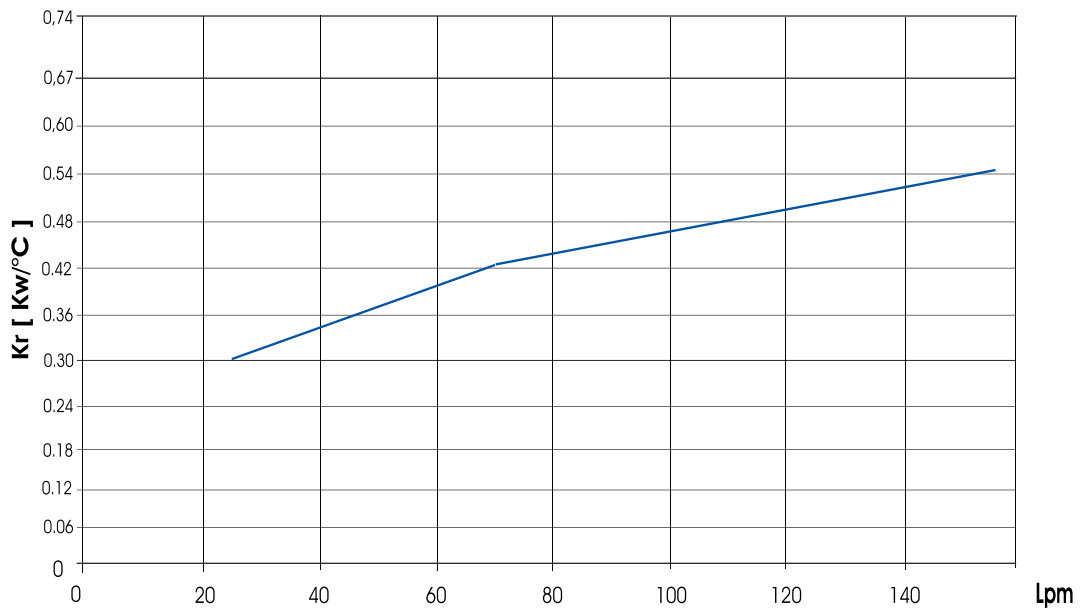
SSPV24.12 / SSPV24.24



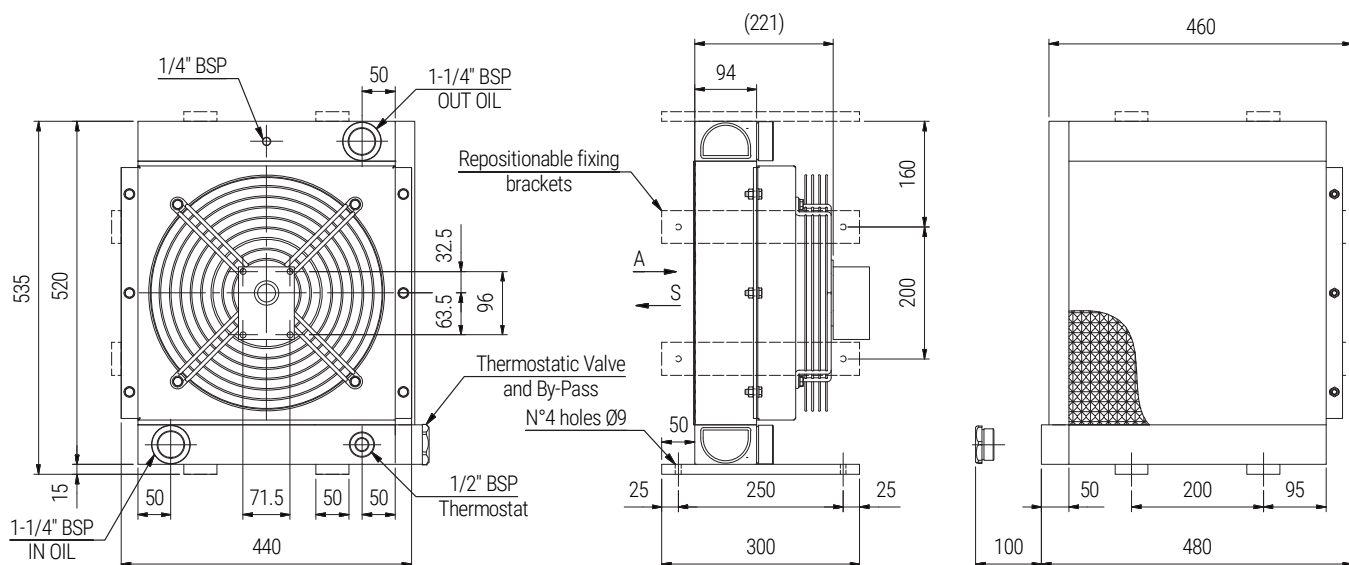
Type	Frequency HZ	Voltage V	RPM	Power KW	Fan Diameter mm	Noise level dB (A)	Air flow rate m ³ /h	Capacity lt	Weight KG	IP
12	DC	12	2248	0,151	385	77	2850	2,8	21	68
24		24					3000			

PERFORMANCE DIAGRAM

Fluid power handling

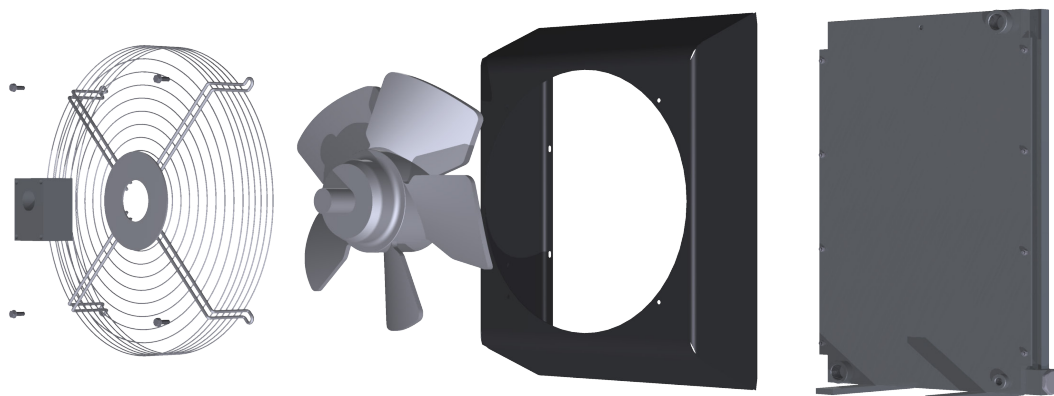
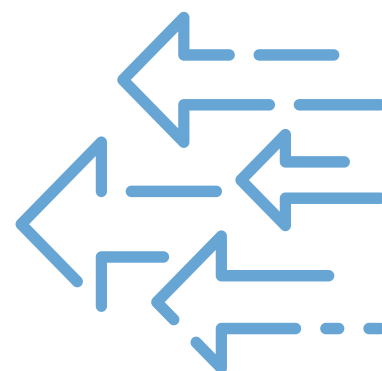
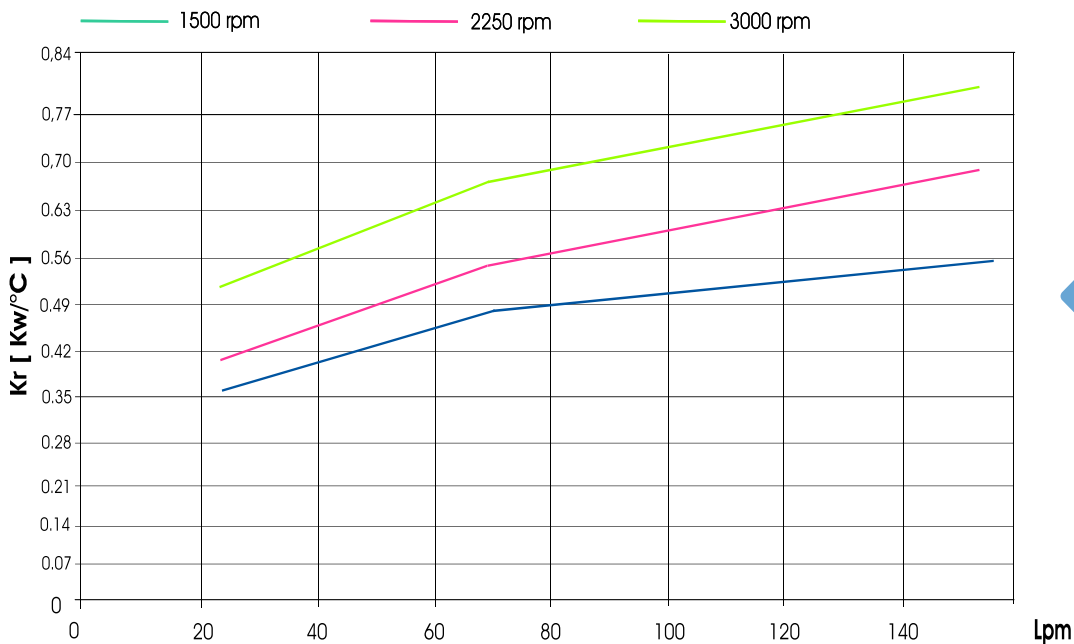


SSPV24.G2



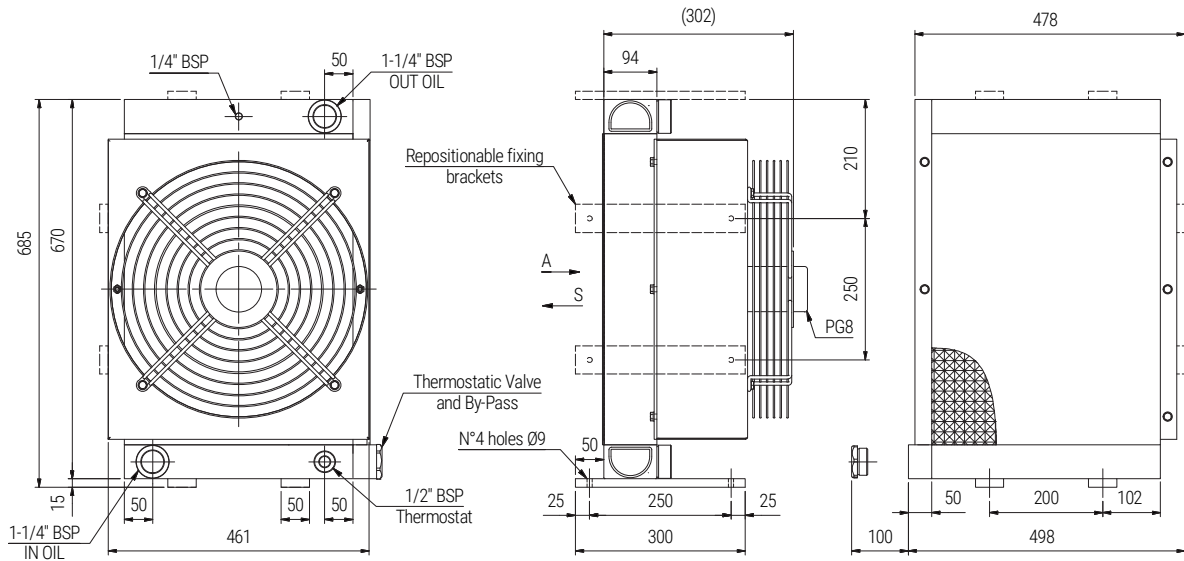
Type	Frequency HZ	Voltage V	RPM	Power KW	Fan Diameter mm	Noise level dB (A)	Air flow rate m ³ /h	Capacity lt	Weight KG	IP
G2			800/3000		400			3,1	23	

PERFORMANCE DIAGRAM



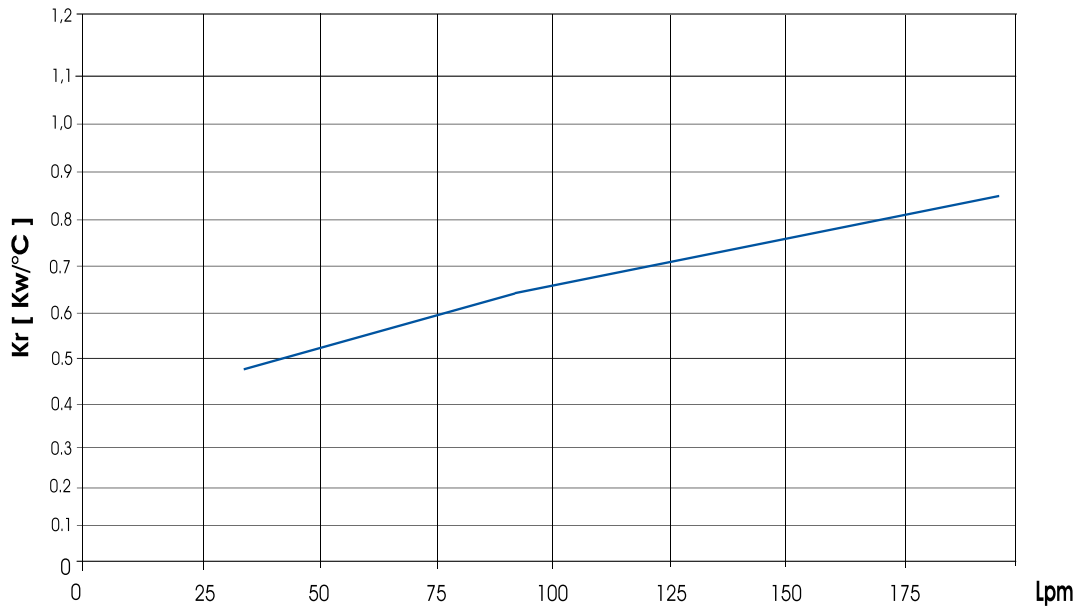
HEAT EXCHANGERS

SSPV30.01 / SSPV30.03

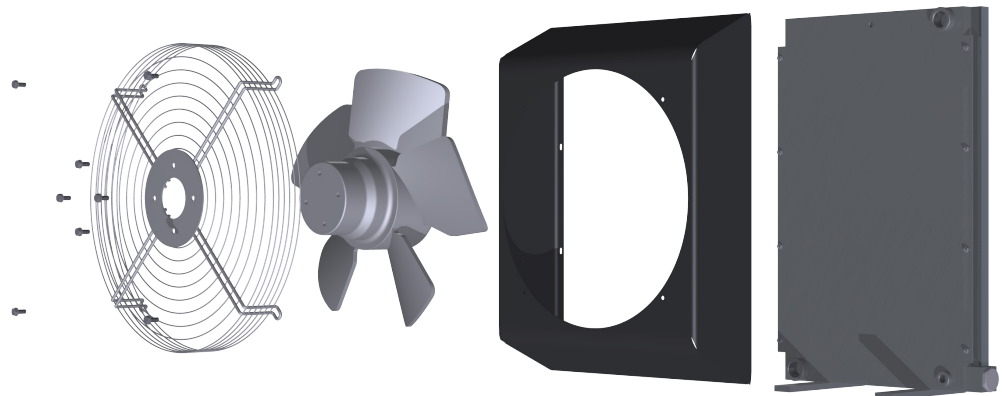


Type	Frequency HZ	Voltage V	RPM	Power KW	Fan Diameter mm	Noise level dB (A)	Air flow rate m ³ /h	Capacity lt	Weight KG	IP
01	50/60	230	1600/1750	0,660/0,800	450	73	6200	6,7	32	44
03	50/60	400	1600/1750	0,660/0,800		73	6200			

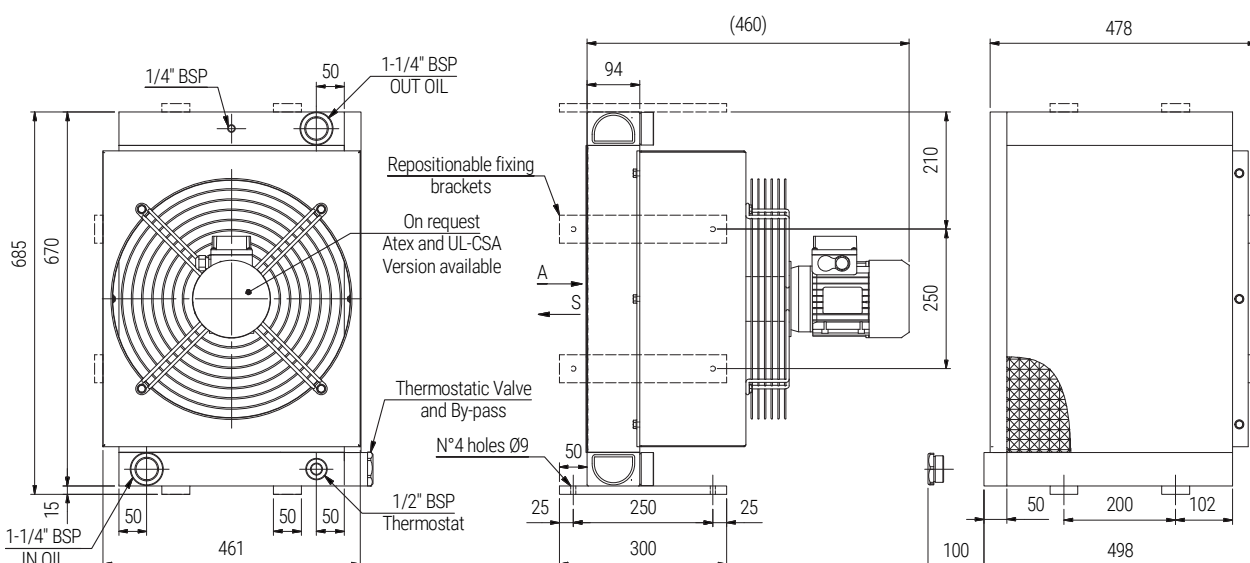
PERFORMANCE DIAGRAM



Fluid power handling

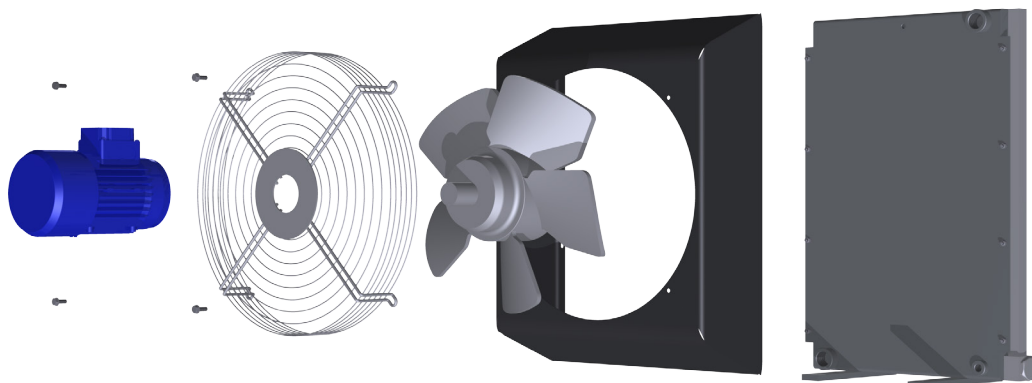
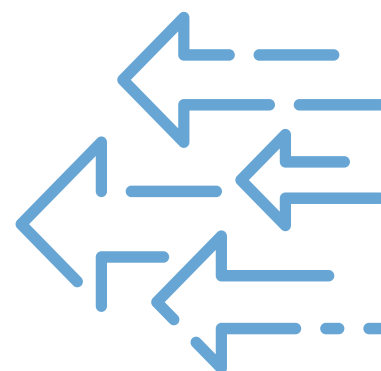
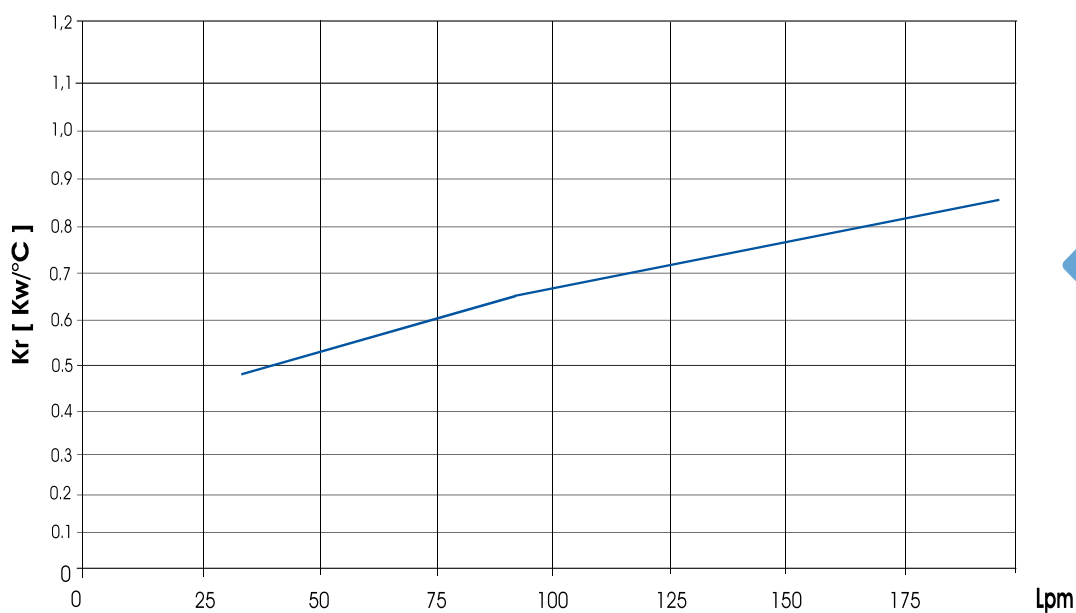


SSPV30.14



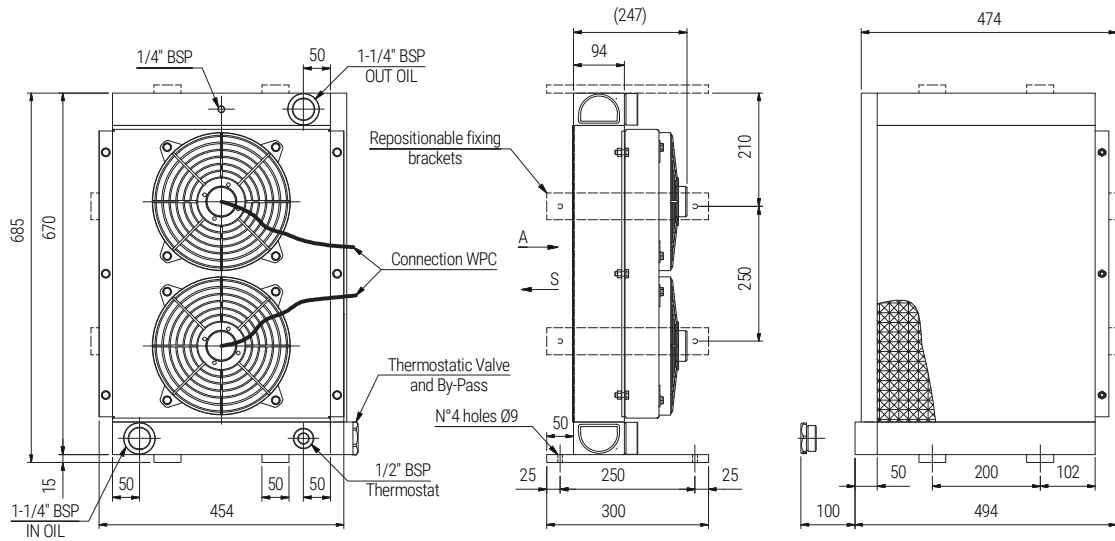
Type	Frequency HZ	Voltage V	RPM	Power KW	Fan Diameter mm	Noise level dB (A)	Air flow rate m ³ /h	Capacity lt	Weight KG	IP
14	50	230/400	1390	0.750	450	73	6830	6,7	36	55
	60	276/480	1685	0.900		74	6980			

PERFORMANCE DIAGRAM



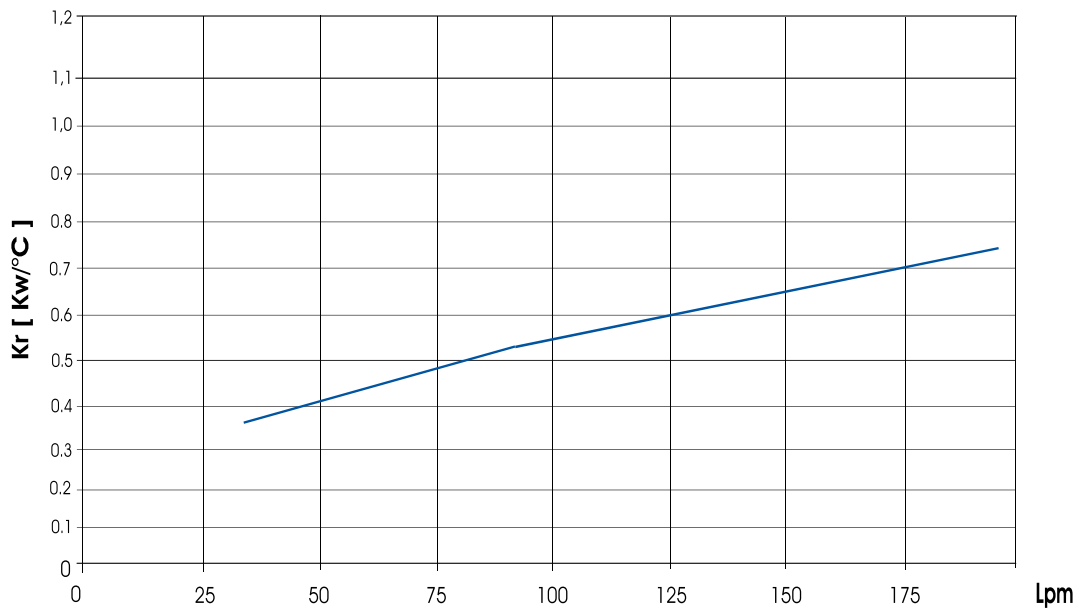
HEAT EXCHANGERS

SSPV30.12 / SSPV30.24

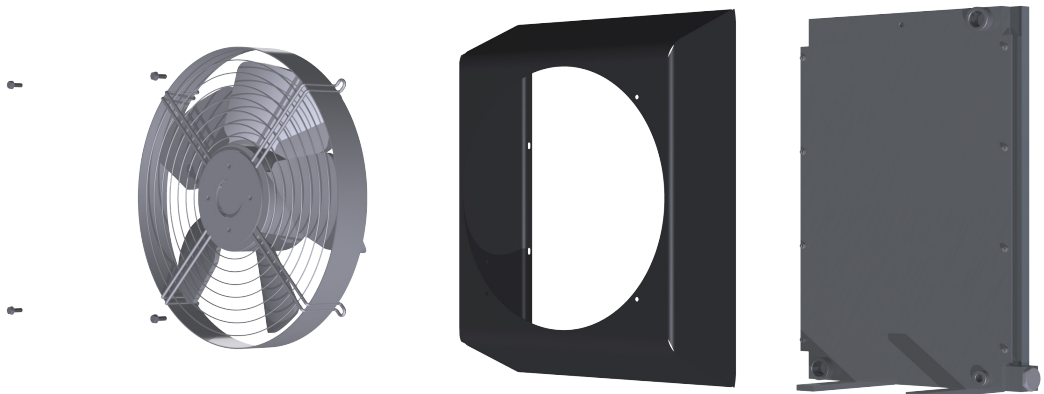


Type	Frequency HZ	Voltage V	RPM	Power KW	Fan Diameter mm	Noise level dB (A)	Air flow rate m ³ /h	Capacity lt	Weight KG	IP
12	DC	12	3005	0,106x2	280	74	2800	6,7	31	68
24		24					2900			

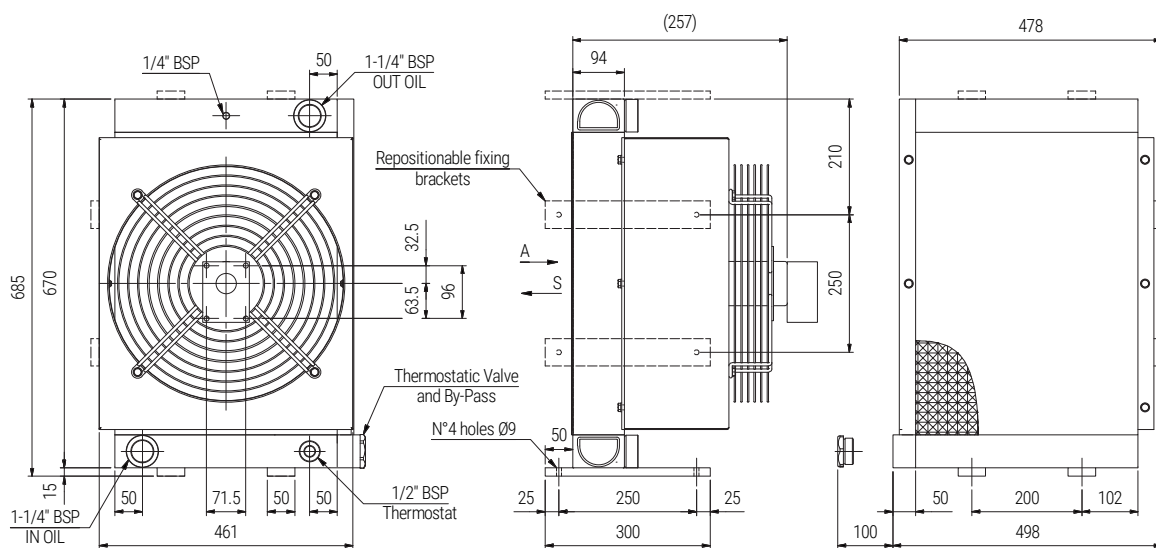
PERFORMANCE DIAGRAM



Fluid power handling

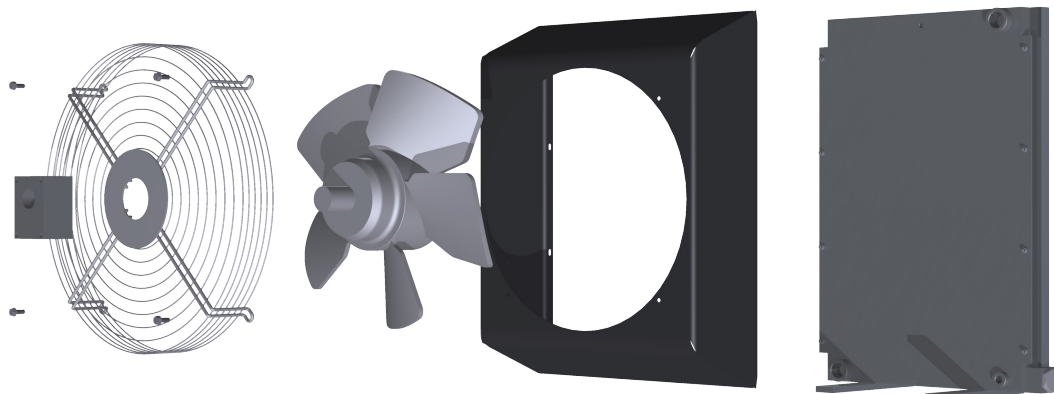
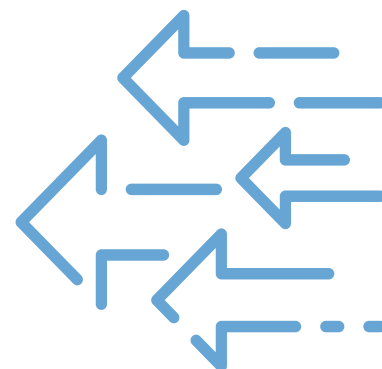
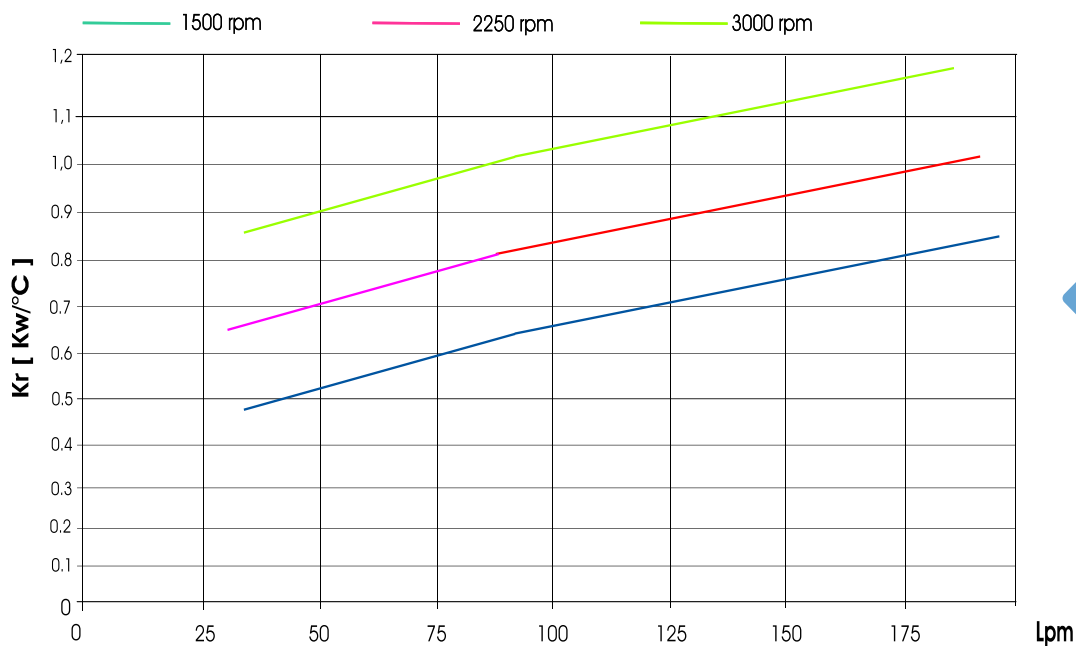


SSPV30.G2



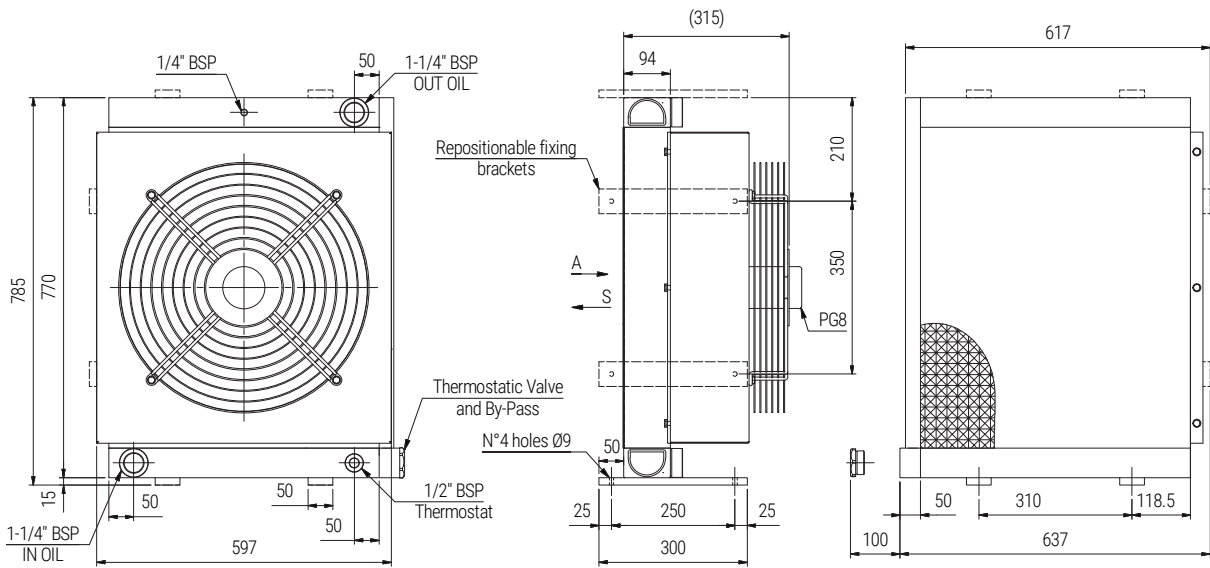
Type	Frequency HZ	Voltage V	RPM	Power KW	Fan Diameter mm	Noice level dB (A)	Air flow rate m ³ /h	Capacity lt	Weight KG	IP
G2			800/3000		450			6,7	33	

PERFORMANCE DIAGRAM



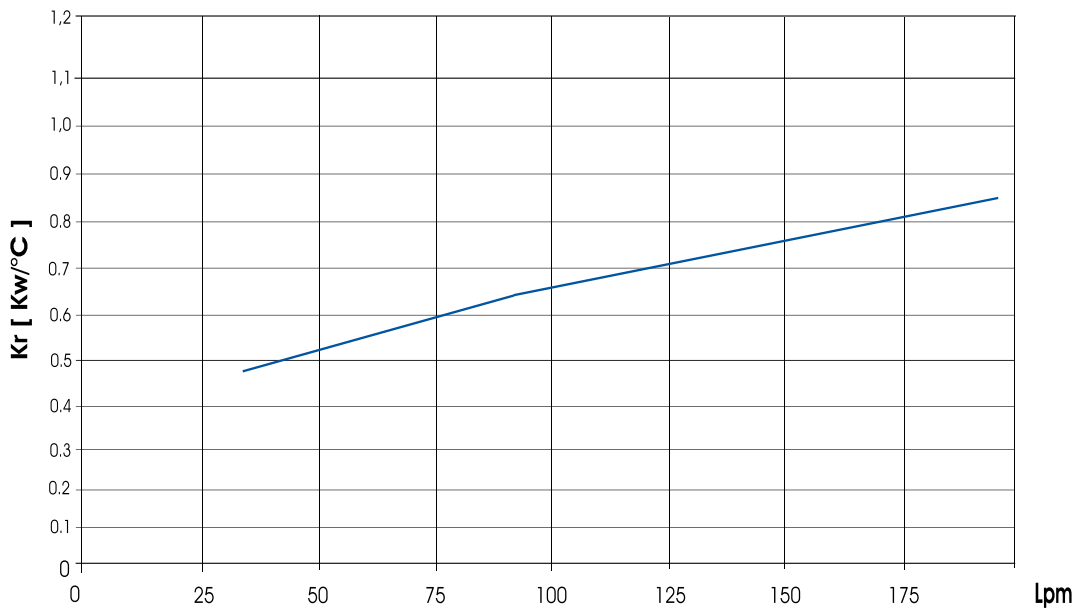
HEAT EXCHANGERS

SSPV36.01 / SSPV36.03

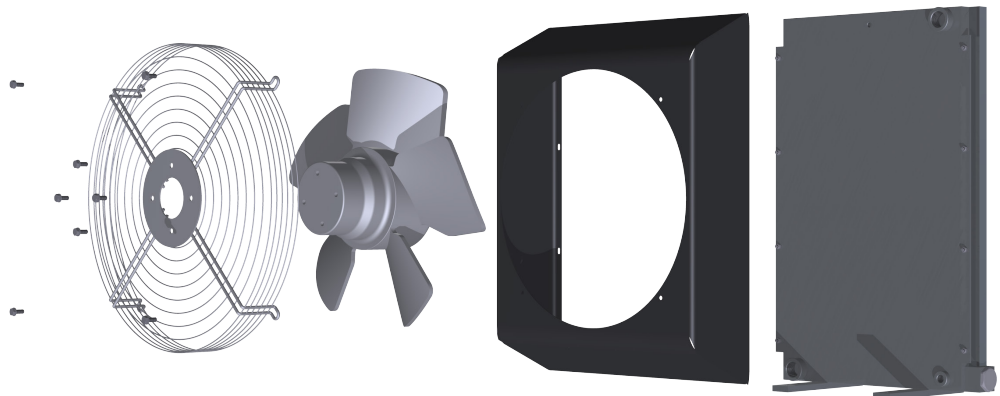


Type	Frequency HZ	Voltage V	RPM	Power KW	Fan Diameter mm	Noise level dB (A)	Air flow rate m ³ /h	Capacity lt	Weight KG	IP
01	50/60	230	1480/1620	0,670/0,800	500	83	6200	9,5	51	54
03	50/60	400	1480/1620	0,100/0,130		83	6200			

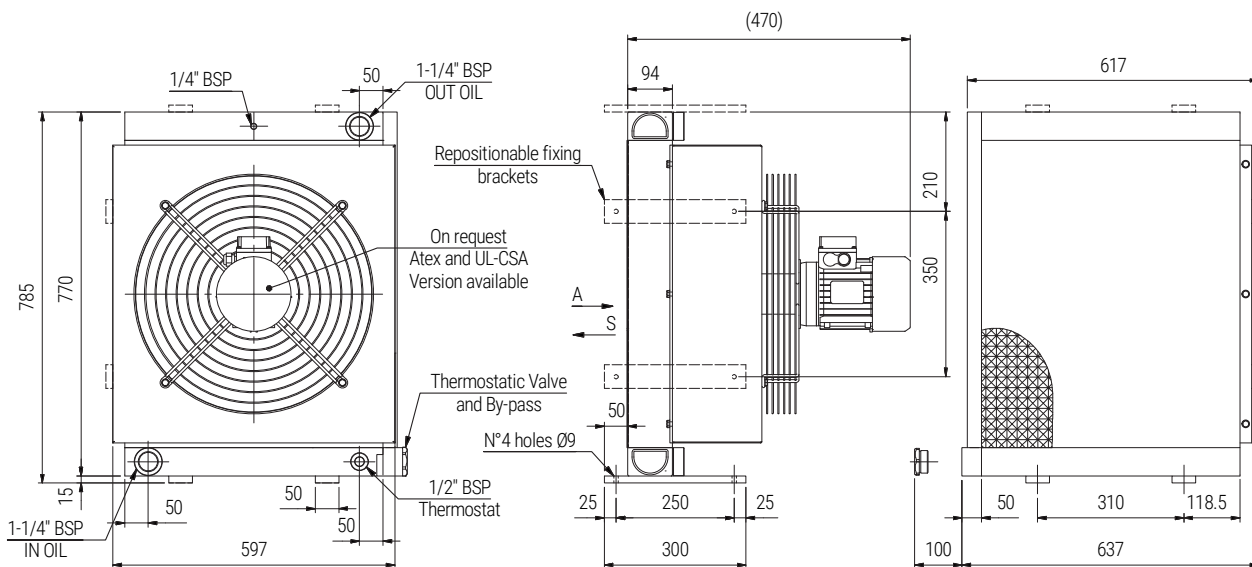
PERFORMANCE DIAGRAM



Fluid power handling

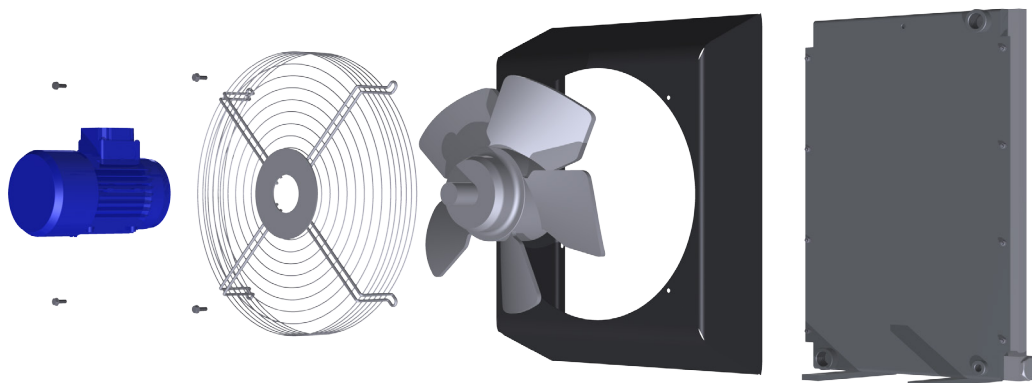
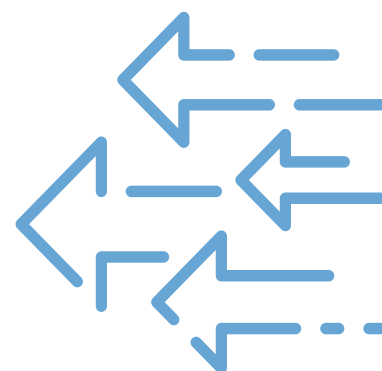
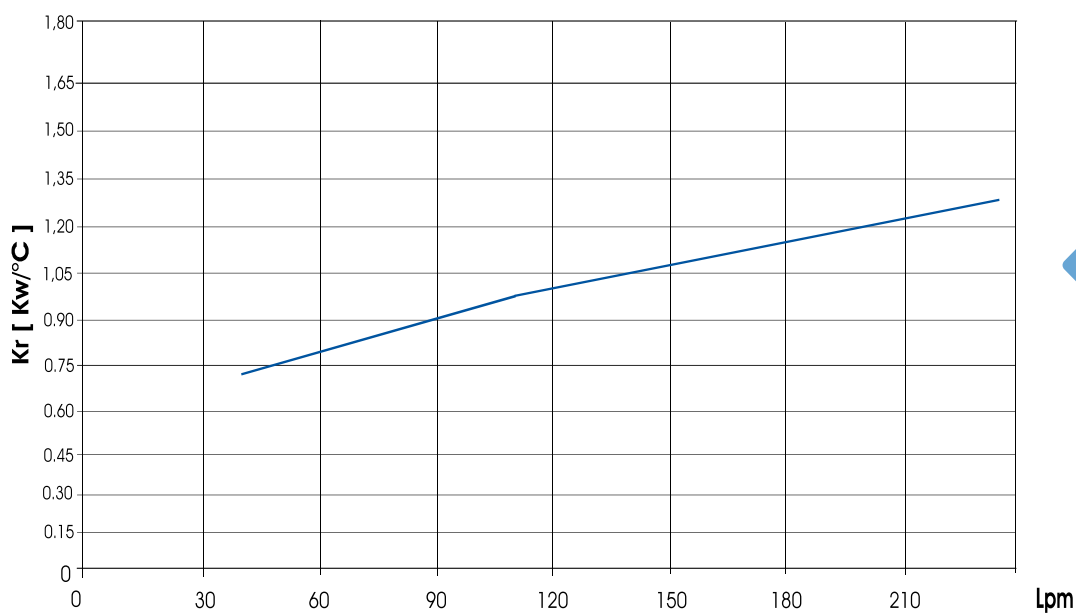


SSPV36.14



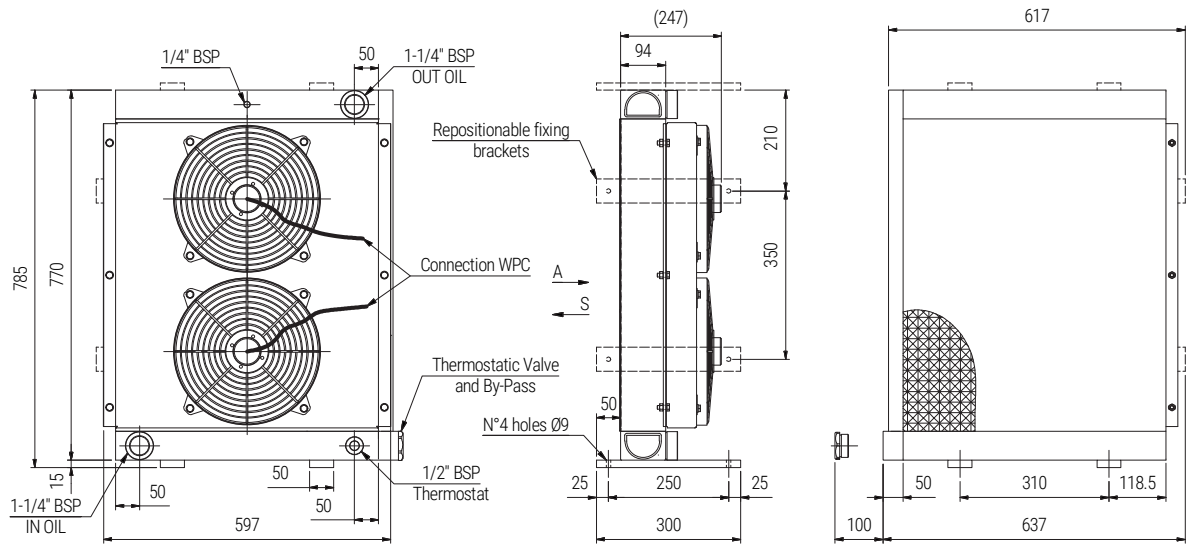
Type	Frequency HZ	Voltage V	RPM	Power KW	Fan Diameter mm	Noise level dB (A)	Air flow rate m ³ /h	Capacity lt	Weight KG	IP
14	50	230/400	1390	1,100	500	83	6100	9,5	59	55
	60	276/480	1685	1,120		84	6300			

PERFORMANCE DIAGRAM



HEAT EXCHANGERS

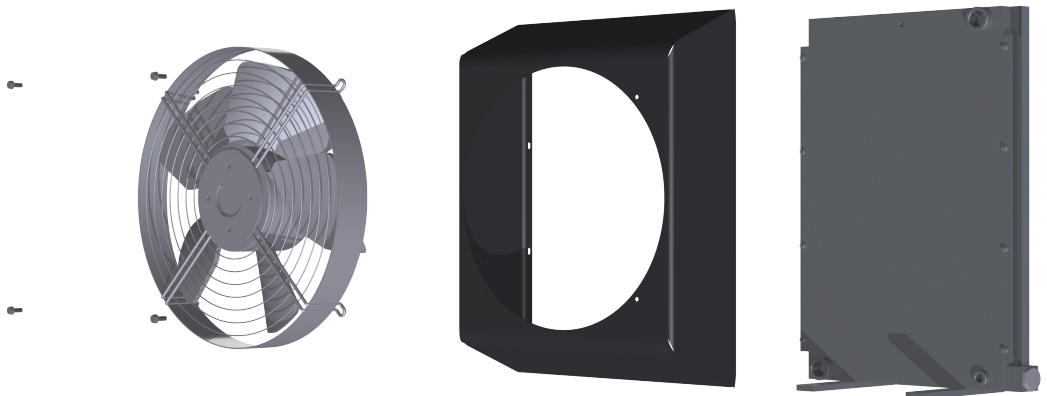
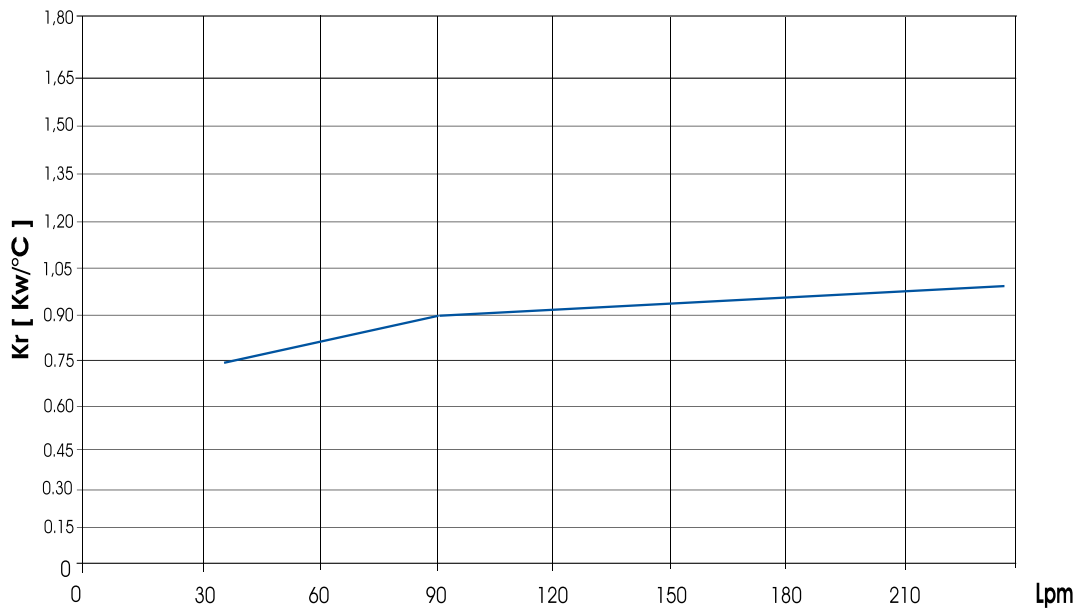
SSPV36.12 / SSPV36.24



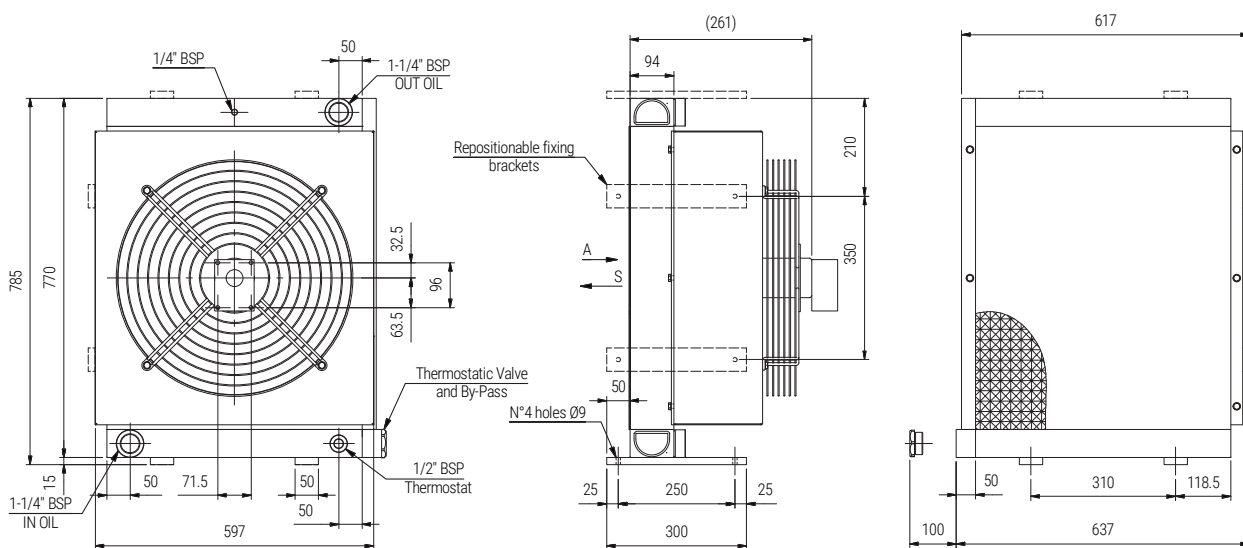
Type	Frequency HZ	Voltage V	RPM	Power KW	Fan Diameter mm	Noise level dB (A)	Air flow rate m ³ /h	Capacity lt	Weight KG	IP
12	DC	12	3090	0,218x2	305	84	5100	9,5	50	68
24		24					5050			

PERFORMANCE DIAGRAM

Fluid power handling

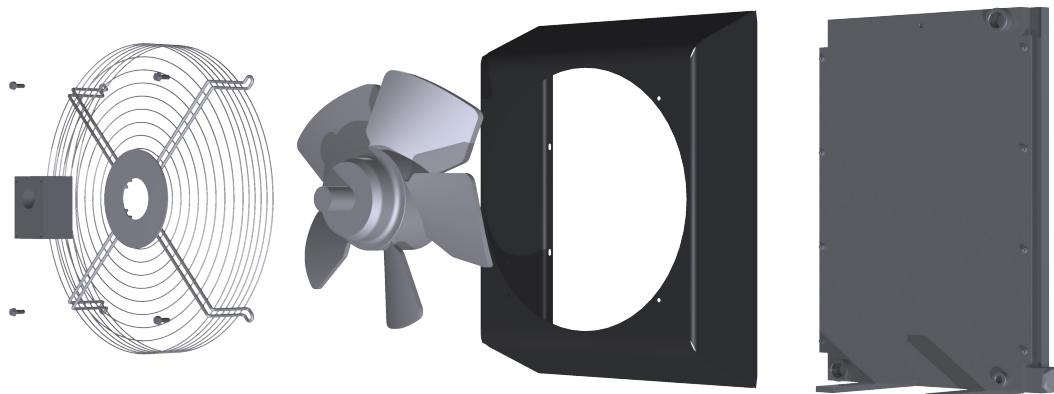
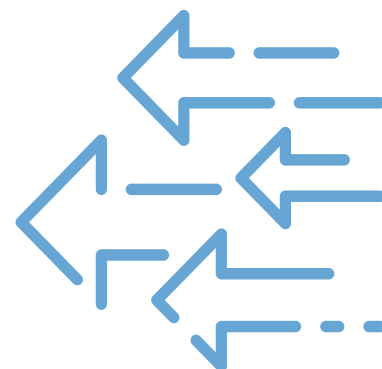
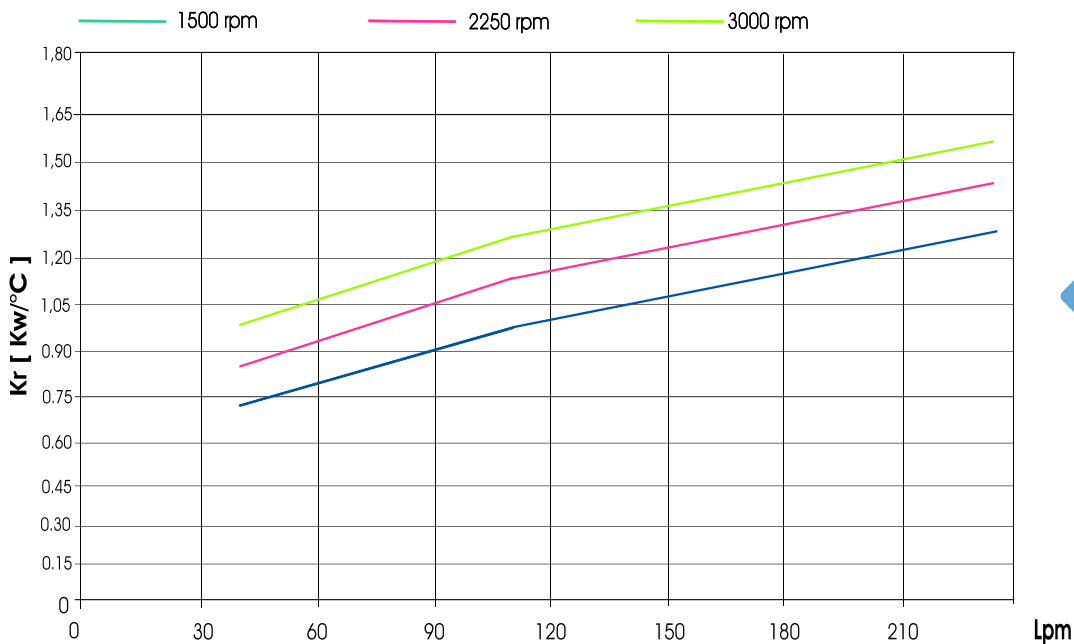


SSPV36.G2



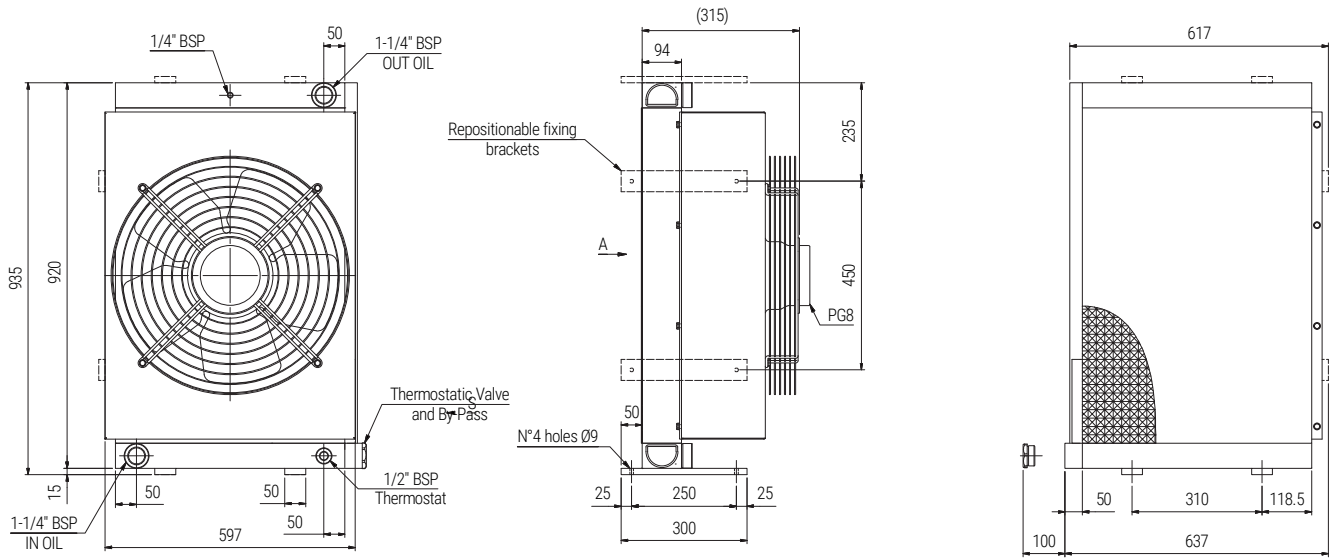
Type	Frequency HZ	Voltage V	RPM	Power KW	Fan Diameter mm	Noise level dB (A)	Air flow rate m ³ /h	Capacity lt	Weight KG	IP
G2			800/3000		500			9,5	52	

PERFORMANCE DIAGRAM



HEAT EXCHANGERS

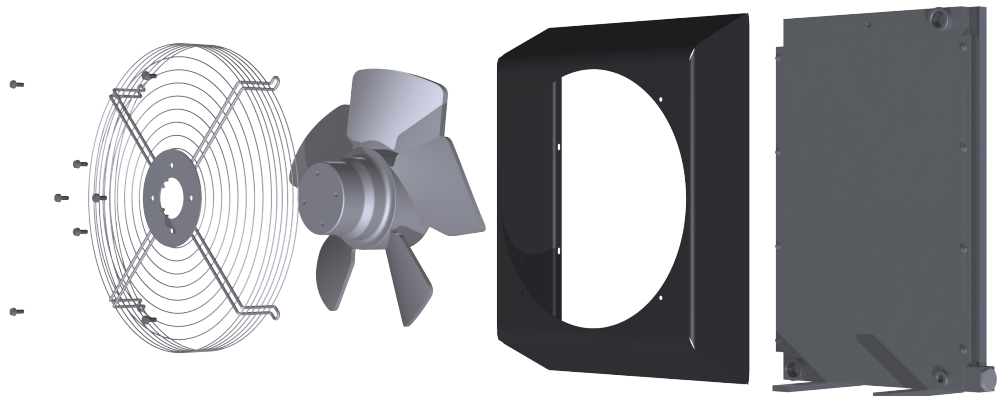
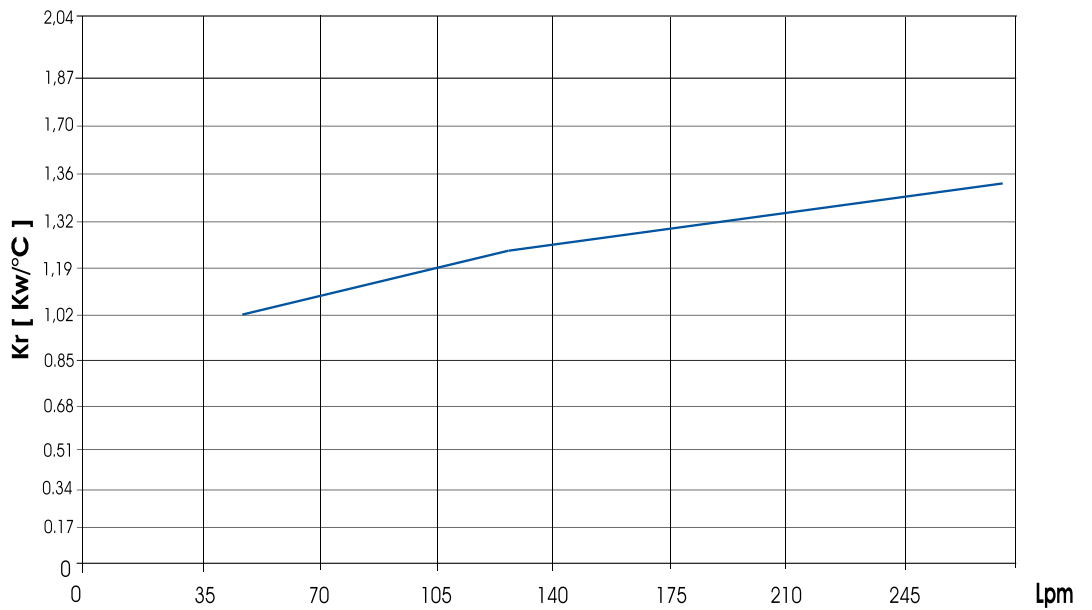
SSPV42.01 / SSPV42.03



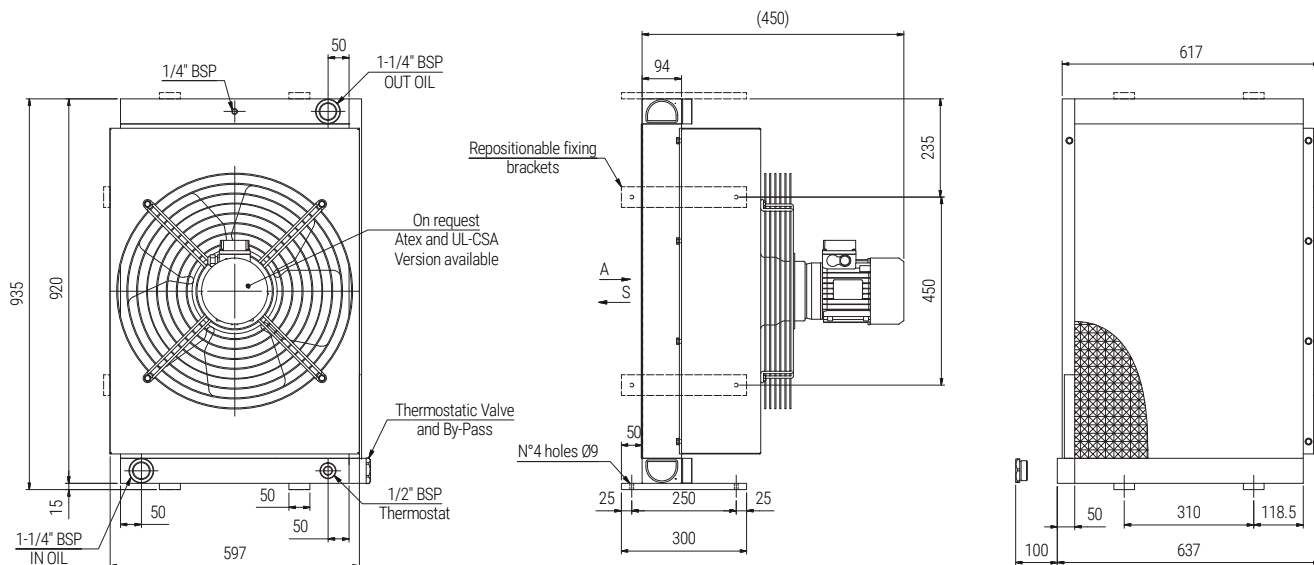
Type	Frequency HZ	Voltage V	RPM	Power KW	Fan Diameter mm	Noise level dB (A)	Air flow rate m ³ /h	Capacity lt	Weight KG	IP
01	50/60	230	1360/1520	0,750/0,980	560	84	7250	10,5	59	54
03	50/60	400	1369/1520	1,07/0,125		84	7250			

PERFORMANCE DIAGRAM

Fluid power handling

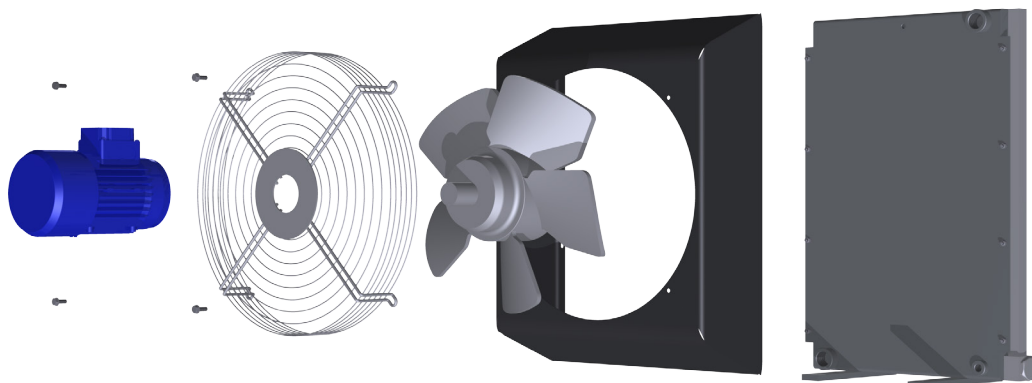
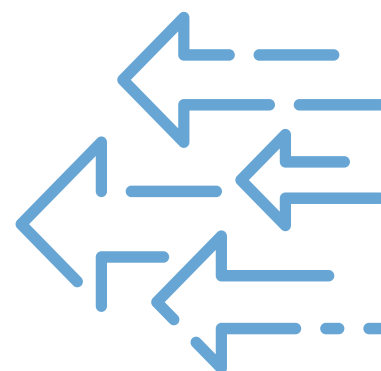
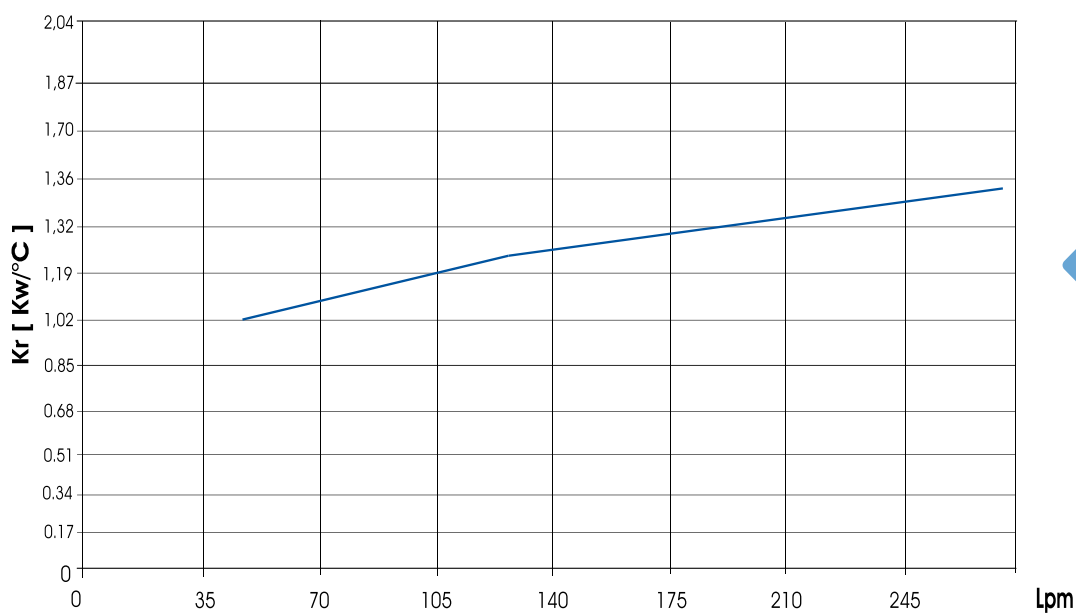


SSPV42.14



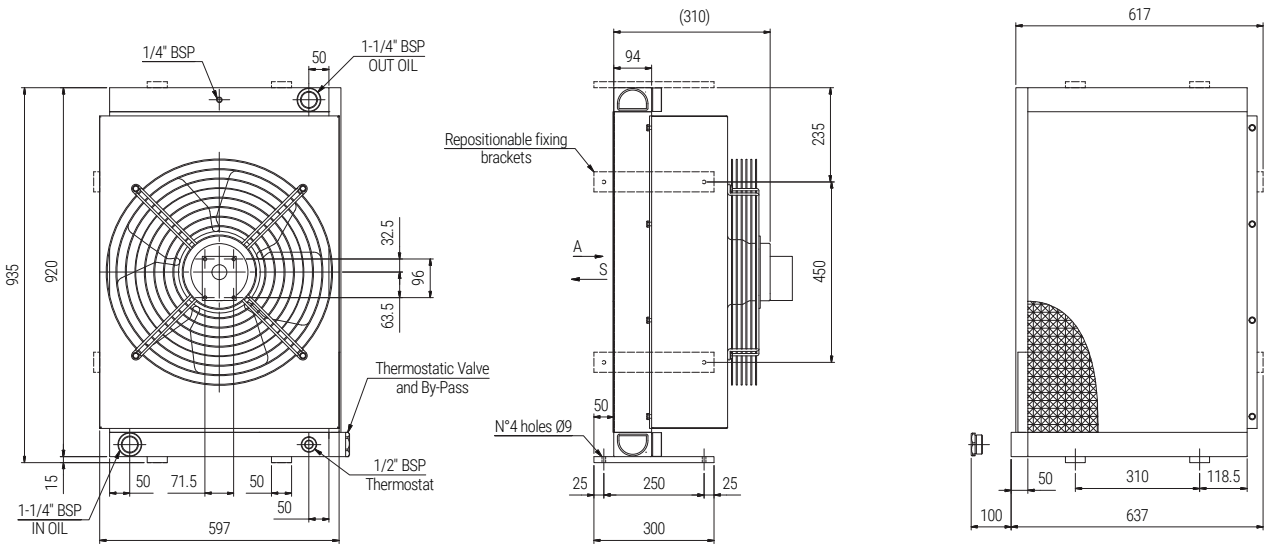
Type	Frequency HZ	Voltage V	RPM	Power KW	Fan Diameter mm	Noise level dB (A)	Air flow rate m ³ /h	Capacity lt	Weight KG	IP
14	50	230/400	1440	1,100	560	83	7500	10,5	64	55
	60	276/480	1730	1,300		84	7500			

PERFORMANCE DIAGRAM



HEAT EXCHANGERS

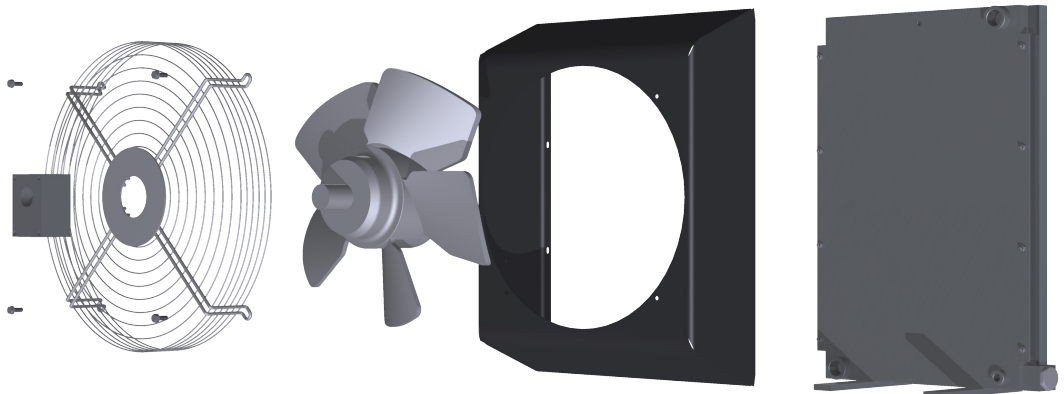
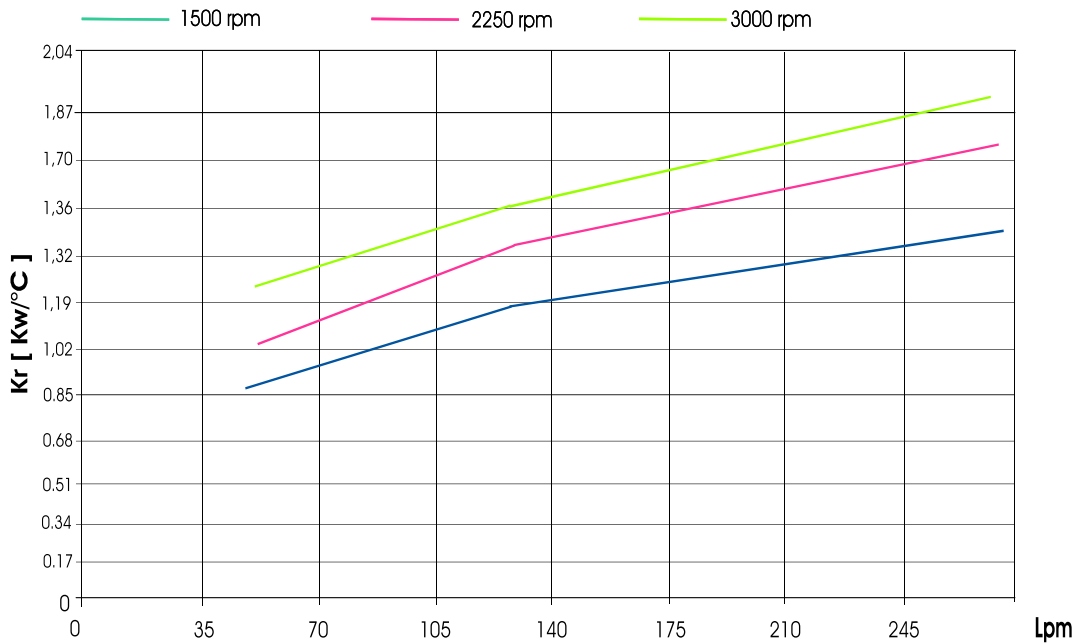
SSPV42.G2



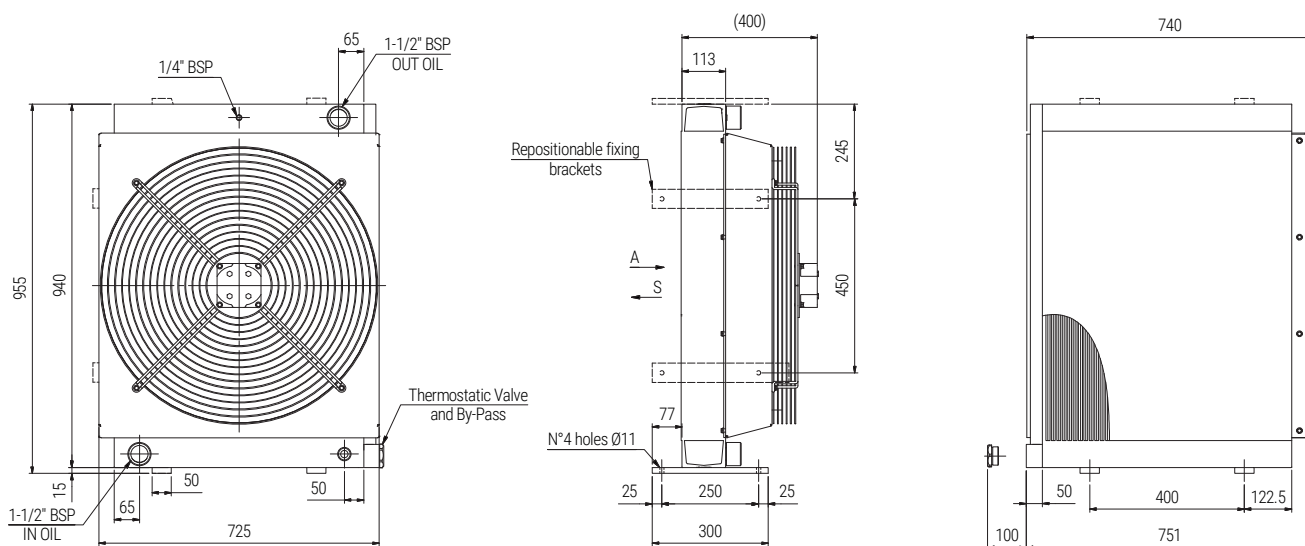
Type	Frequency HZ	Voltage V	RPM	Power KW	Fan Diameter mm	Noise level dB (A)	Air flow rate m ³ /h	Capacity lt	Weight KG	IP
G2			800/3000		560			10,5	60	

Fluid power handling

PERFORMANCE DIAGRAM

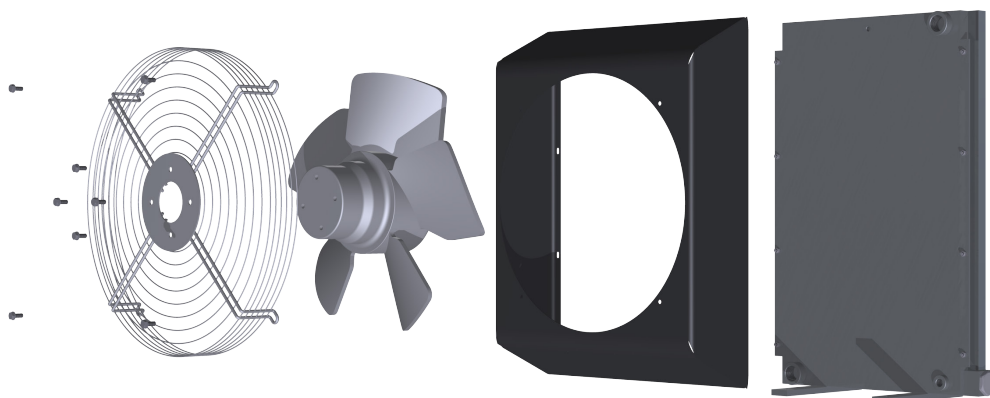
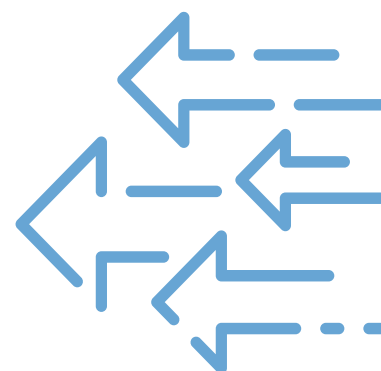
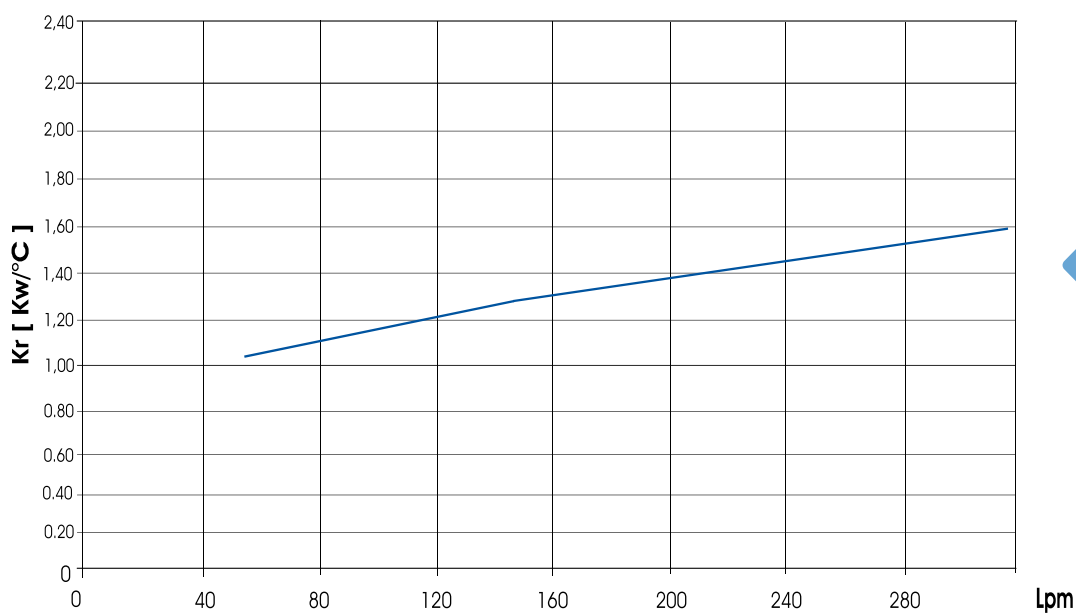


SSPV50.01 / SSPV50.03



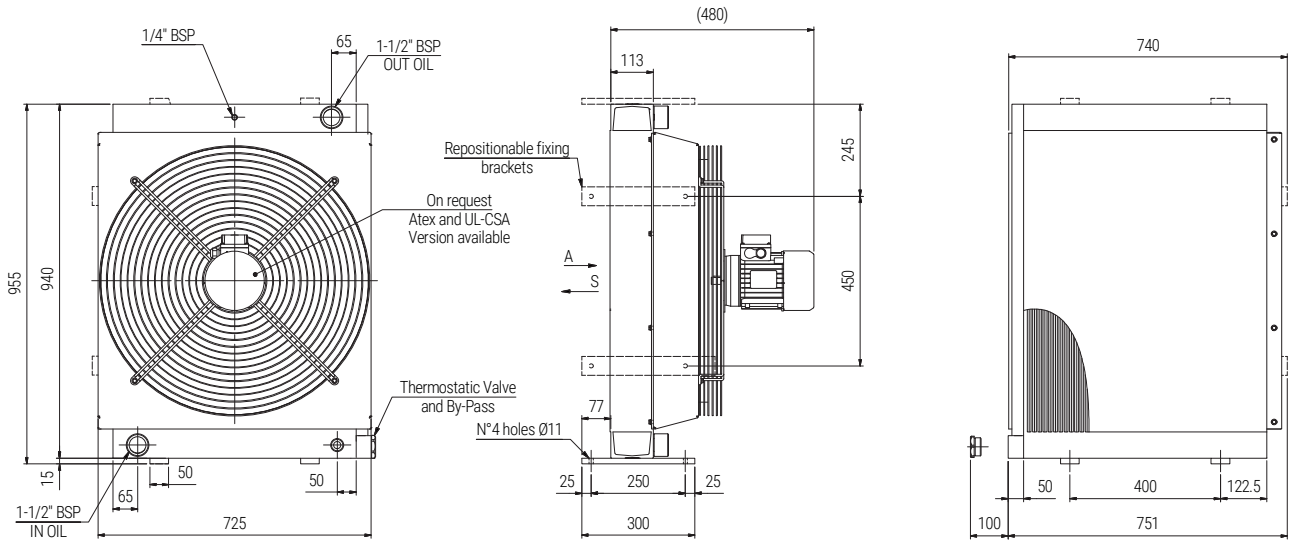
Type	Frequency HZ	Voltage V	RPM	Power KW	Fan Diameter mm	Noise level dB (A)	Air flow rate m ³ /h	Capacity lt	Weight KG	IP
01	50/60	230	910/1050	0.750/0.980	630	82	7900	14	90	54
03	50/60	400	910/1050	0.700/0.930		82	7950			

PERFORMANCE DIAGRAM



HEAT EXCHANGERS

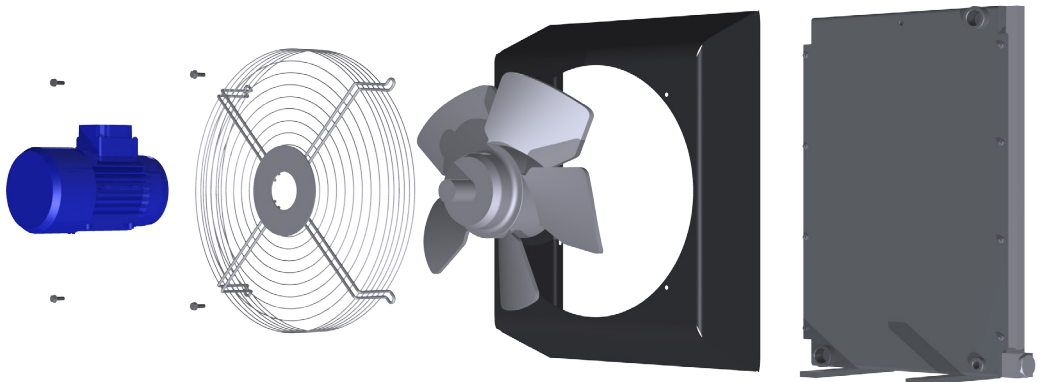
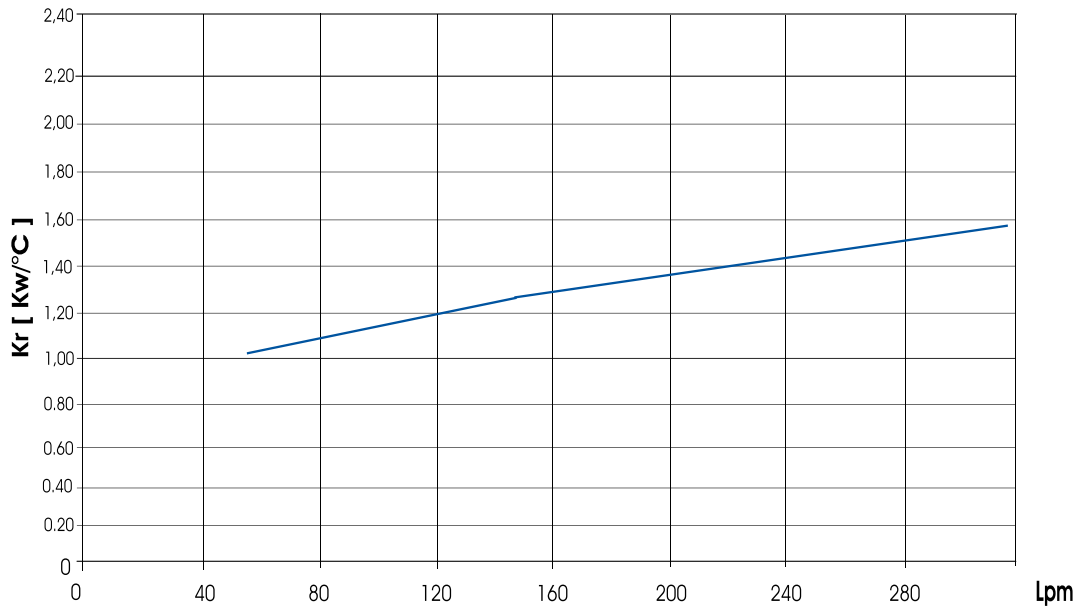
SSPV50.14



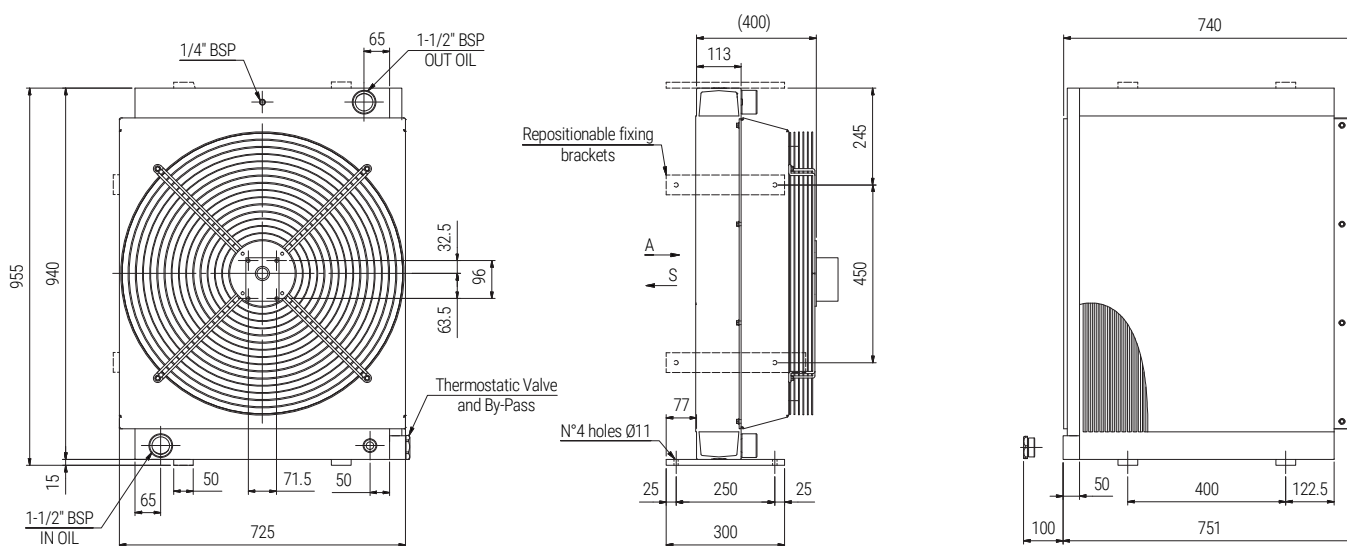
Type	Frequency HZ	Voltage V	RPM	Power KW	Fan Diameter mm	Noise level dB (A)	Air flow rate m ³ /h	Capacity lt	Weight KG	IP
14	50	230/400	840	1,100	630	88	7900	14	90	55
	60	276/480	1125	1,300		88	8100			

PERFORMANCE DIAGRAM

Fluid power handling

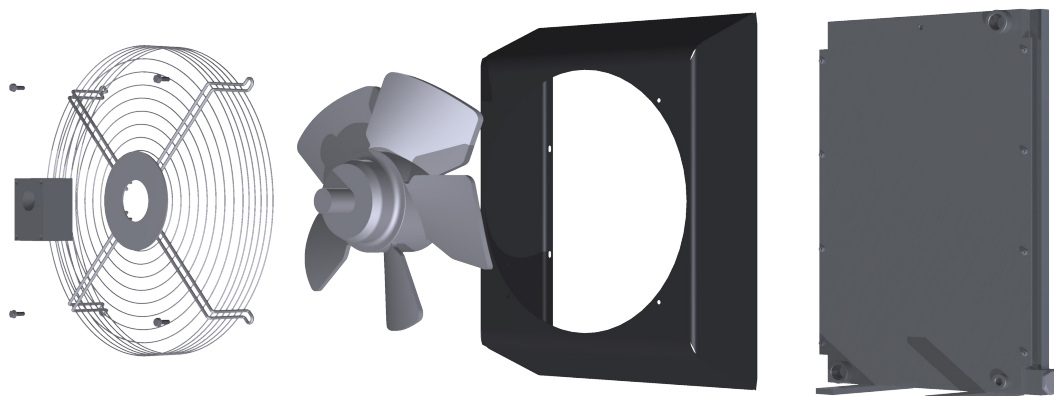
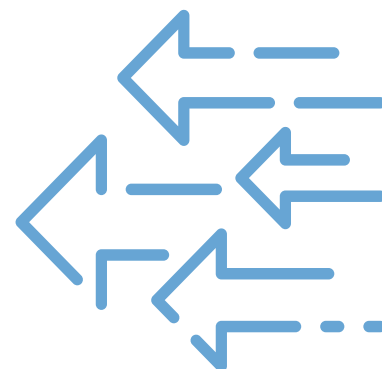
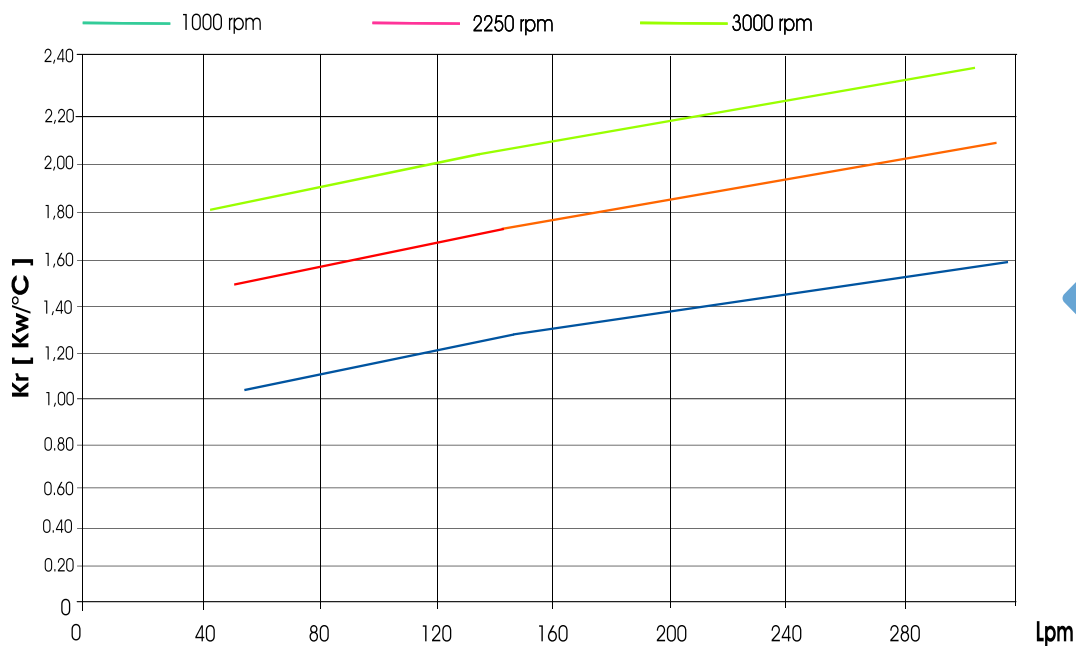


SSPV50.G2



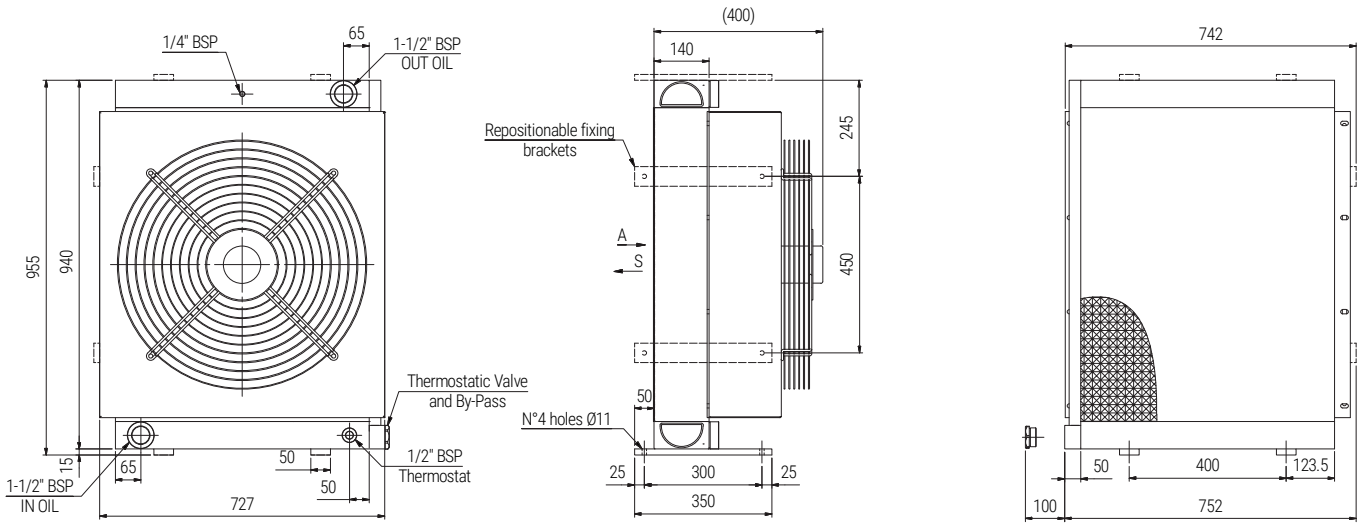
Type	Frequency HZ	Voltage V	RPM	Power KW	Fan Diameter mm	Noise level dB (A)	Air flow rate m ³ /h	Capacity lt	Weight KG	IP
G2			800/2800		630			14	90	

PERFORMANCE DIAGRAM



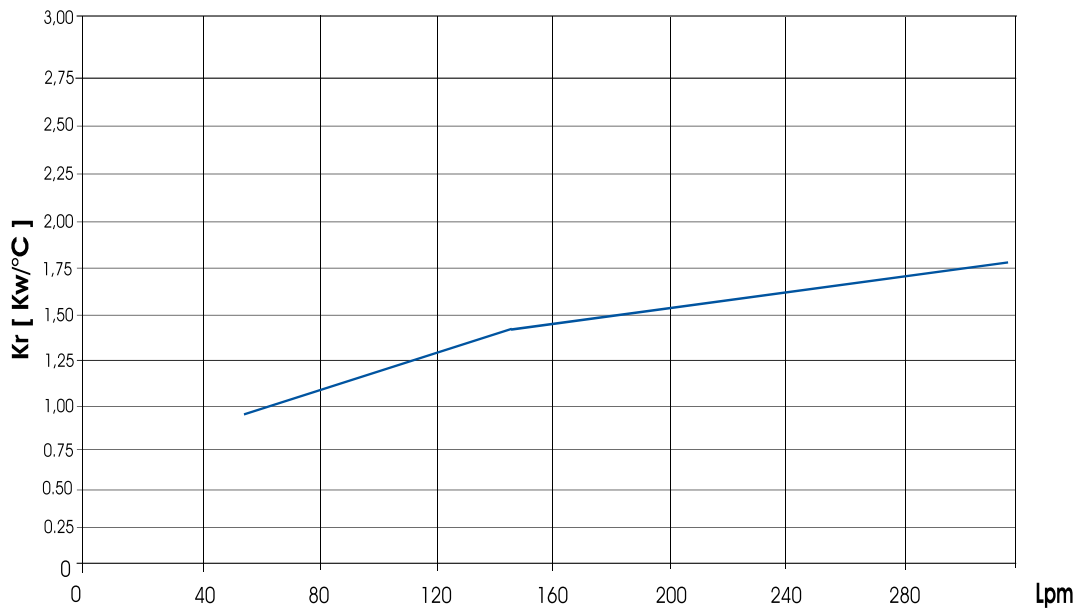
HEAT EXCHANGERS

SSPV52.01 / SSPV52.03

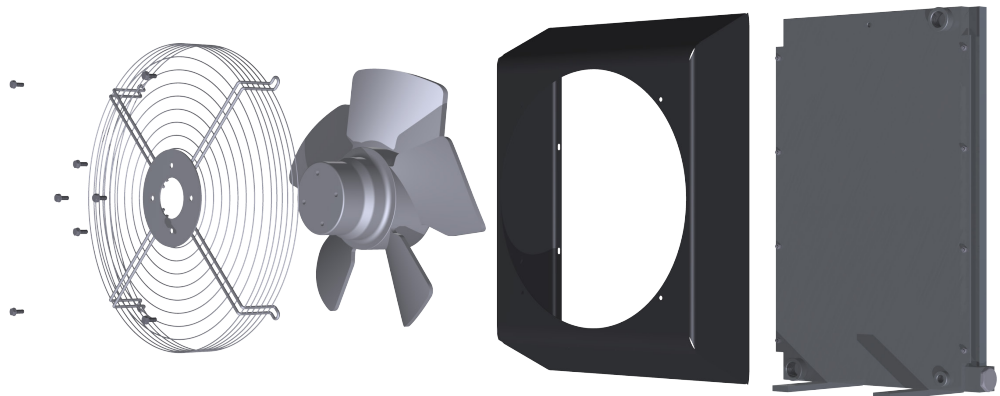


Type	Frequency HZ	Voltage V	RPM	Power KW	Fan Diameter mm	Noise level dB (A)	Air flow rate m ³ /h	Capacity lt	Weight KG	IP
01	50/60	230	910/1050	0.750/0.980	630	82	7900	17,5	96	54
03	50/60	400	910/1050	0.700/0.930		82	7950			

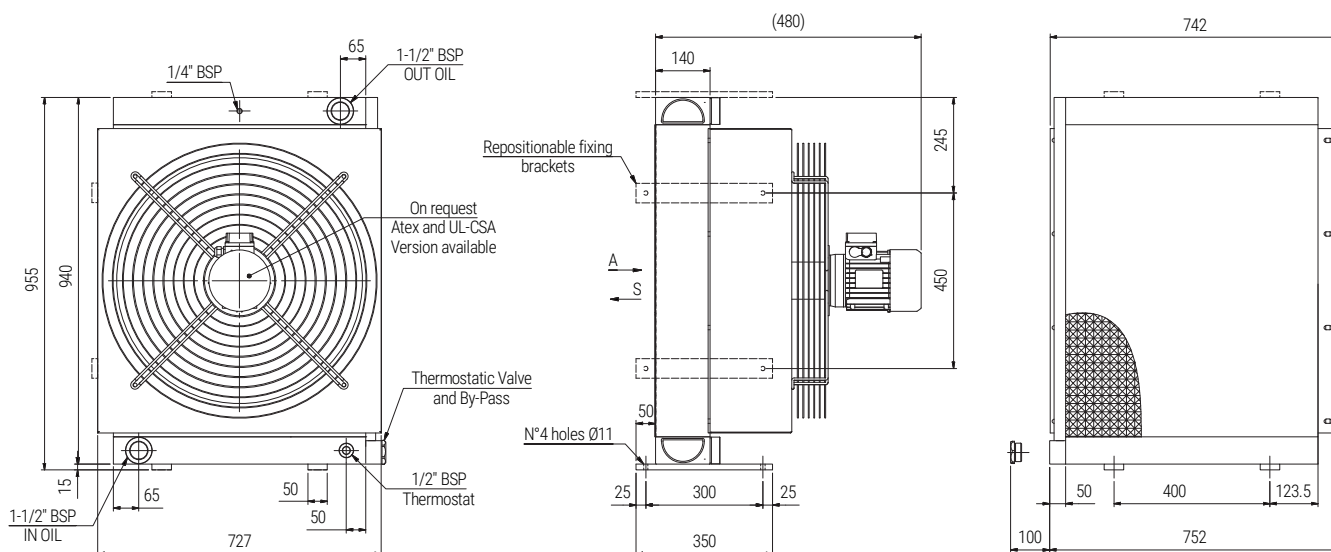
PERFORMANCE DIAGRAM



Fluid power handling

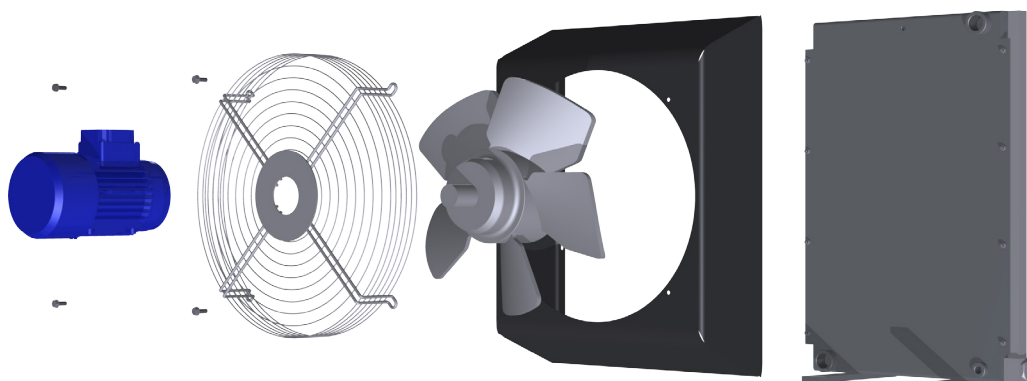
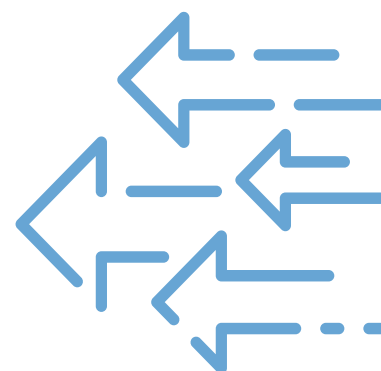
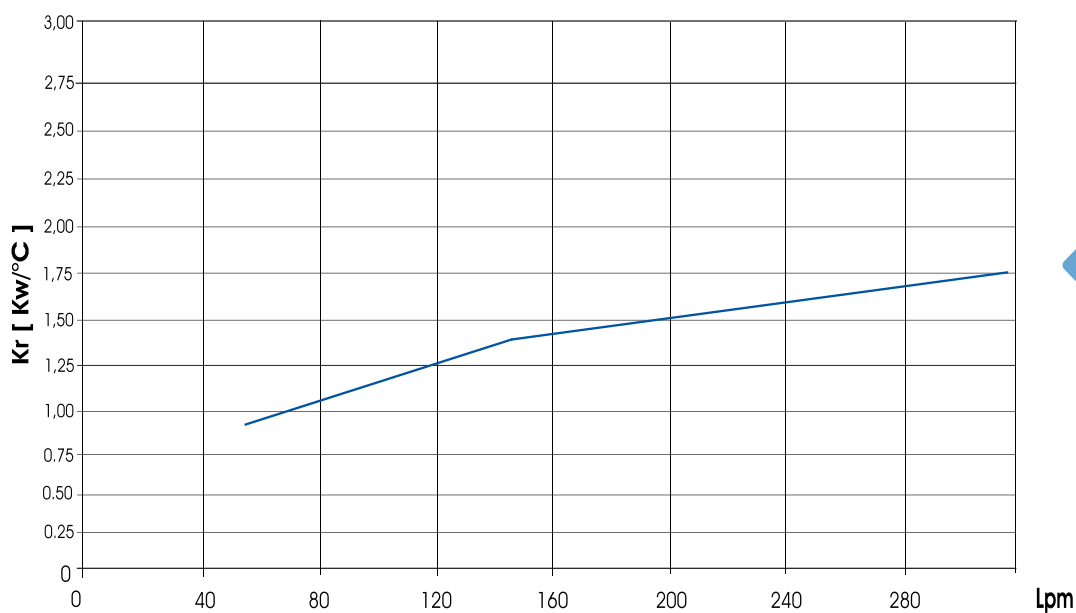


SSPV52.14



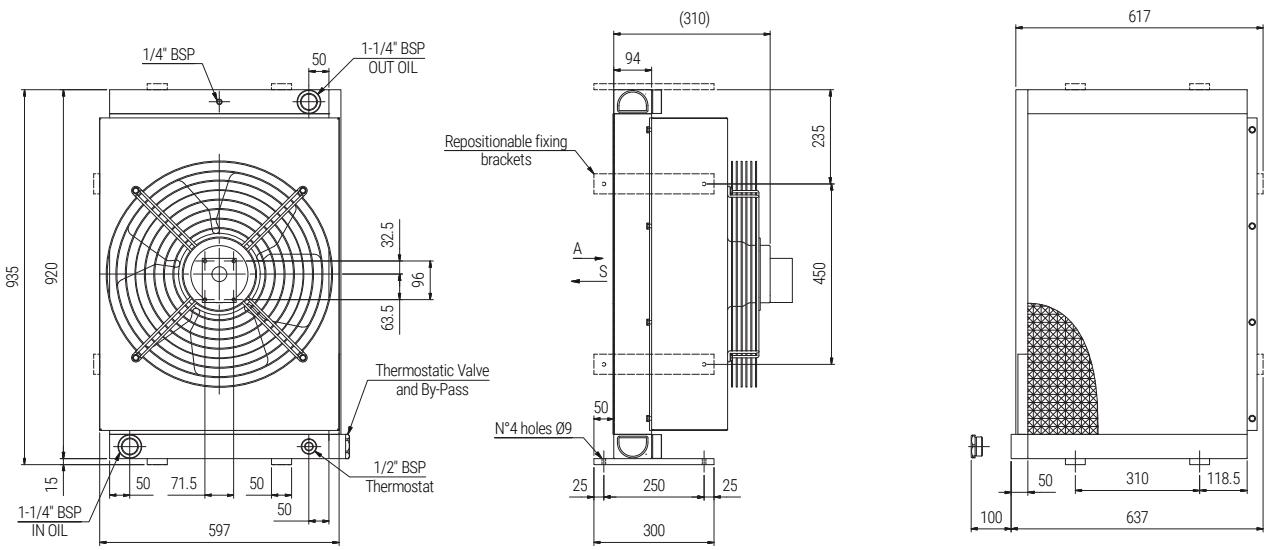
Type	Frequency HZ	Voltage V	RPM	Power KW	Fan Diameter mm	Noise level dB (A)	Air flow rate m ³ /h	Capacity lt	Weight KG	IP
14	50	230/400	840	1,100	630	88	7900	17,5	98	55
	60	276/480	1125	1,300		88	8100			

PERFORMANCE DIAGRAM



HEAT EXCHANGERS

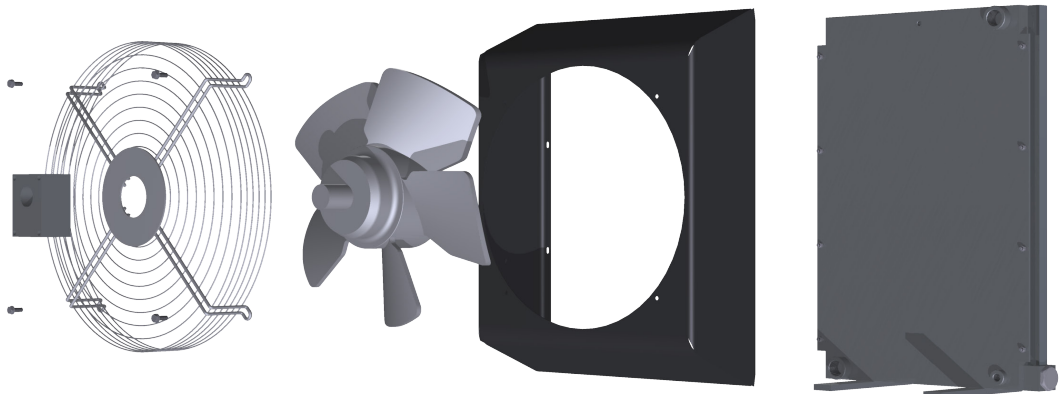
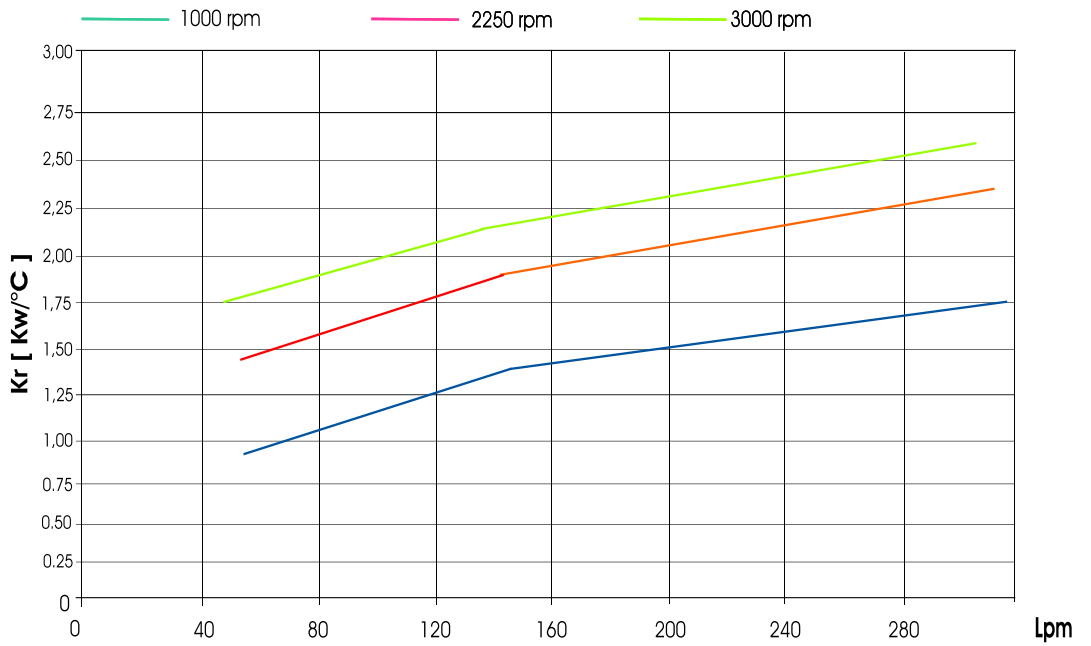
SSPV52.G2



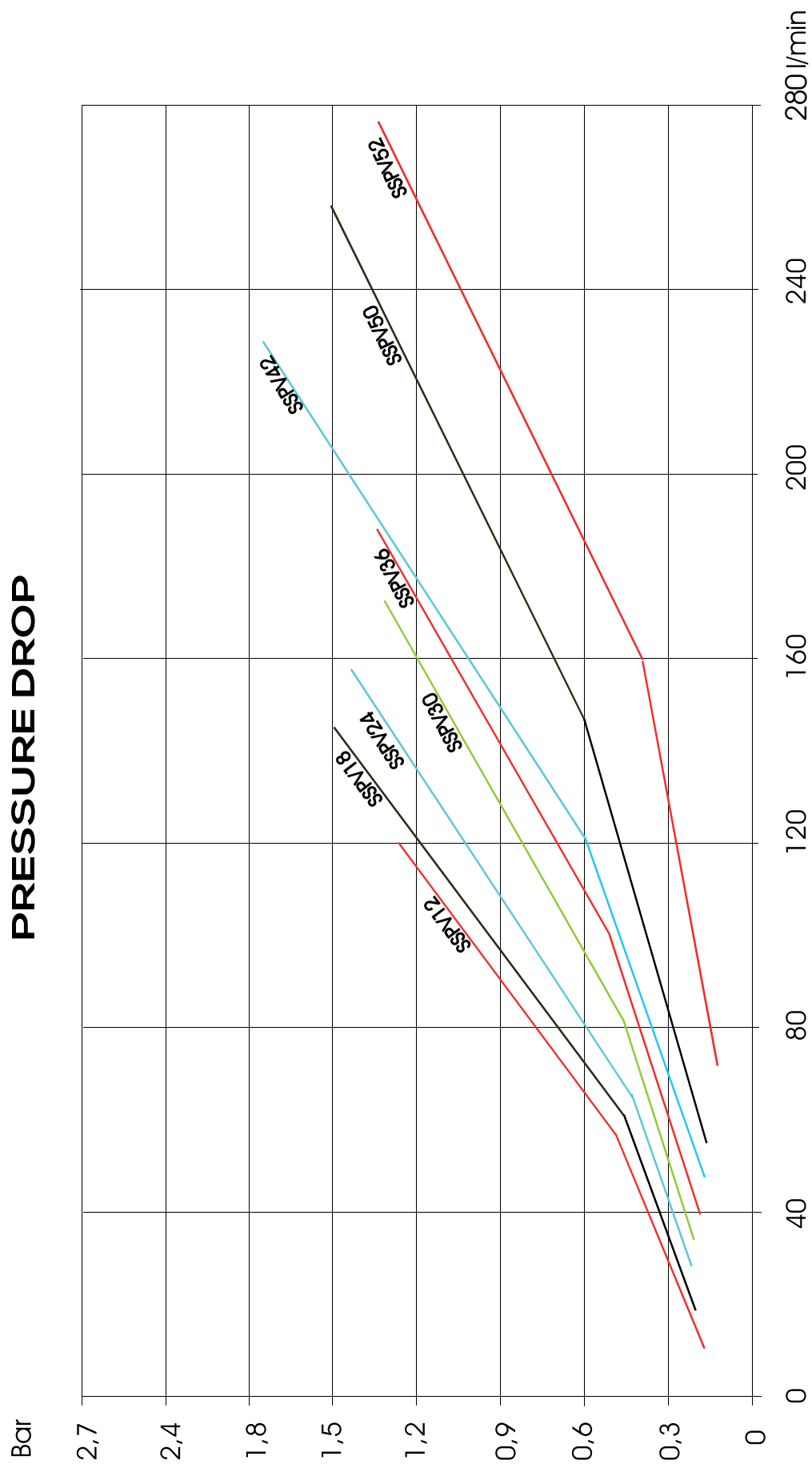
Type	Frequency HZ	Voltage V	RPM	Power KW	Fan Diameter mm	Noise level dB (A)	Air flow rate m ³ /h	Capacity lt	Weight KG	IP
G2			800/2800		630			17,5	95	

Fluid power handling

PERFORMANCE DIAGRAM



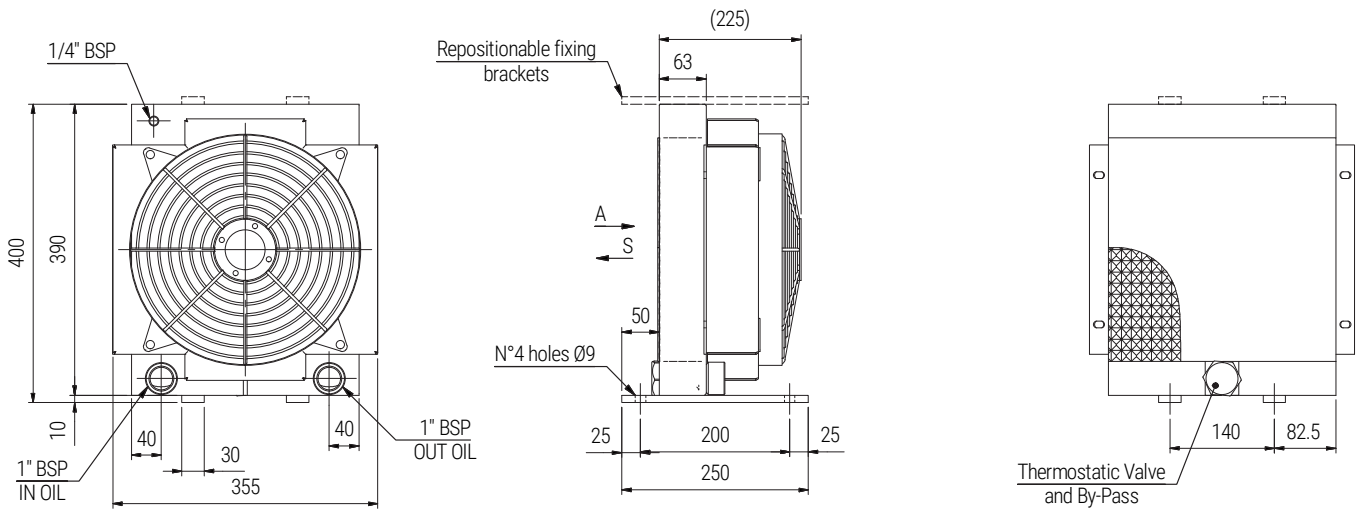
PRESSURE DROP



In order different viscosity, please multiply temp.x correction factor

CST	10	15	20	30	40	50	60	80	100	200	300
C	0,5	0,65	0,75	1,0	1,2	1,4	1,6	1,9	2,1	3,4	4,3

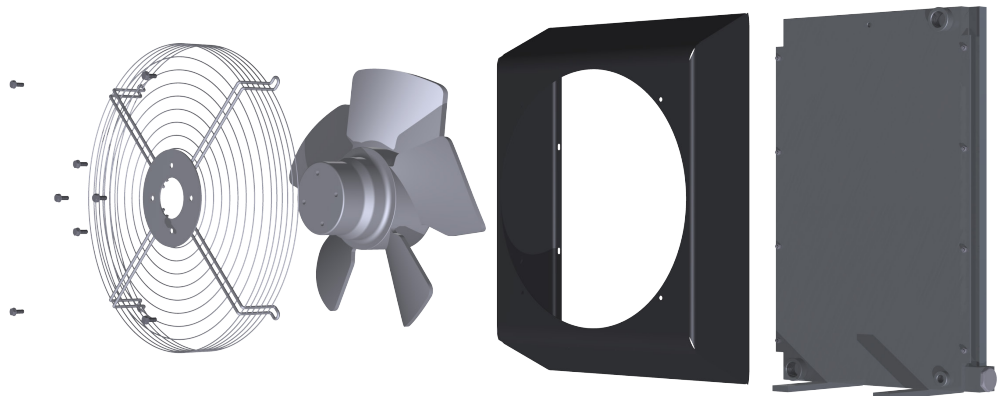
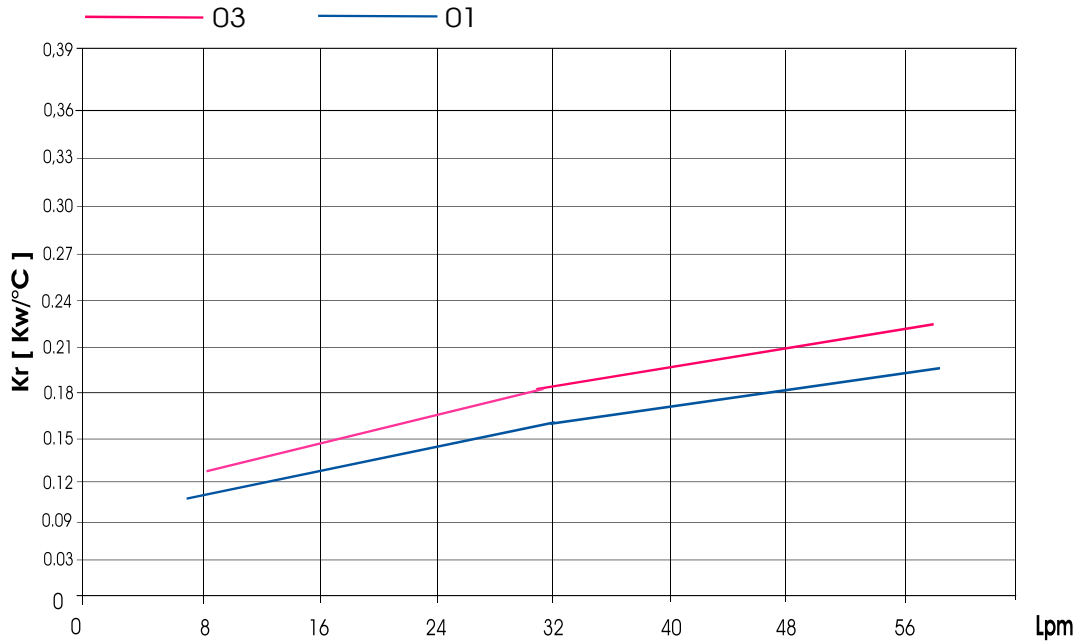
SSPV212.01 / SSPV212.03 (two pass)



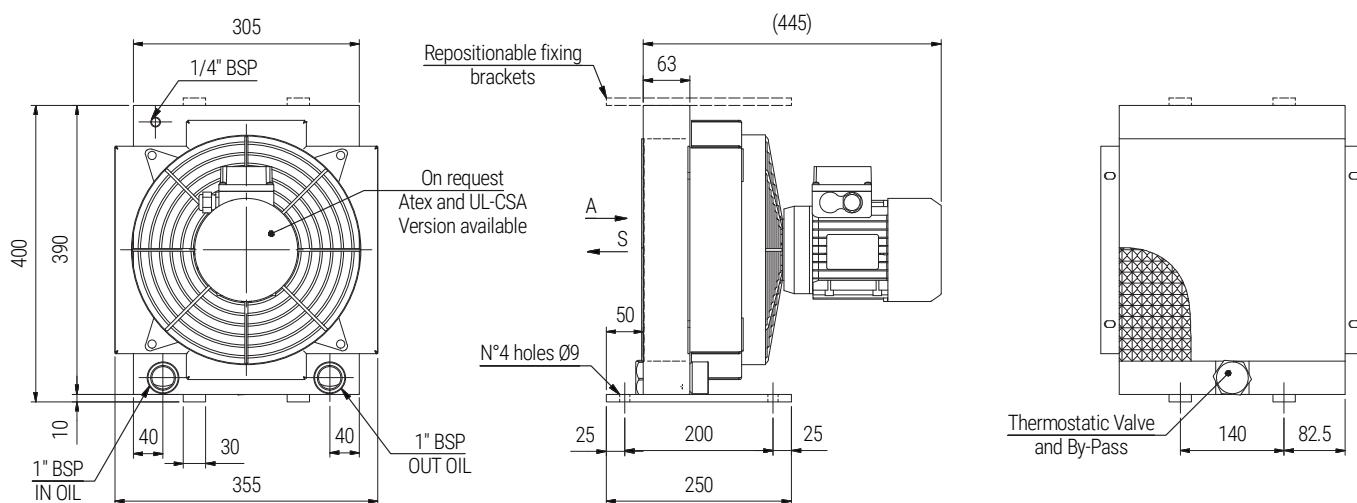
Type	Frequency HZ	Voltage V	RPM	Power KW	Fan Diameter mm	Noise level dB (A)	Air flow rate m ³ /h	Capacity lt	Weight KG	IP
01	50/60	230	2300/2250	0,145/0,175	300	64	2010	1,8	16	44
03	50/60	400	1380/1550	0,075/0,095		62	1870			

Fluid power handling

PERFORMANCE DIAGRAM

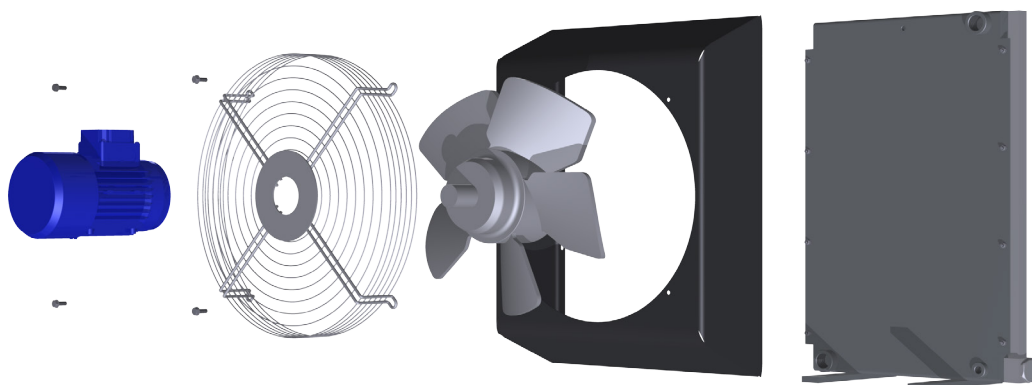
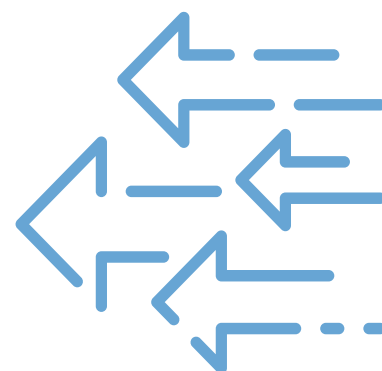
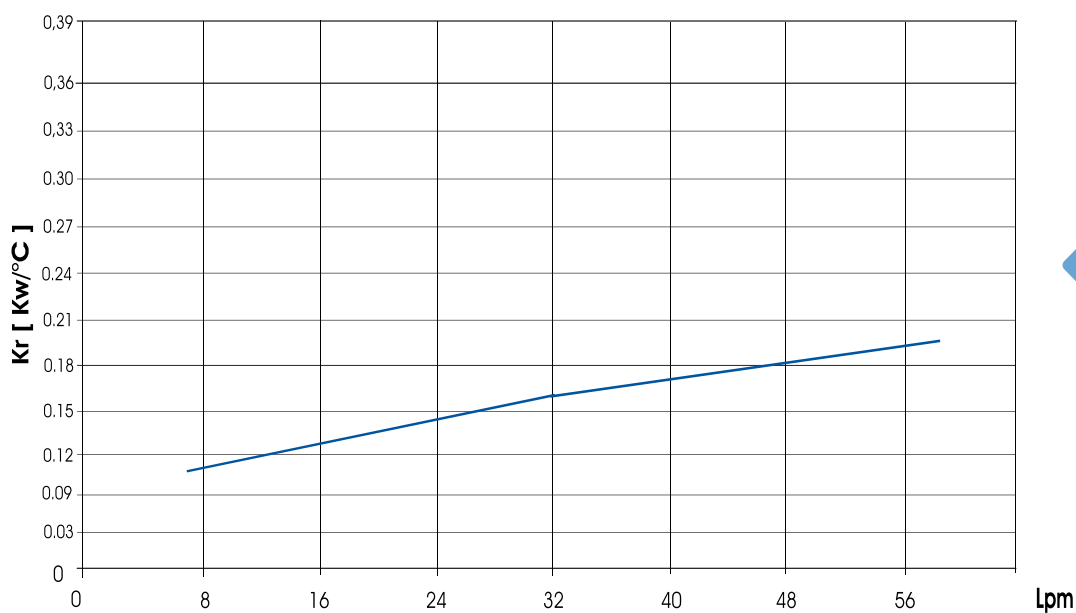


SSPV212.14 (two pass)



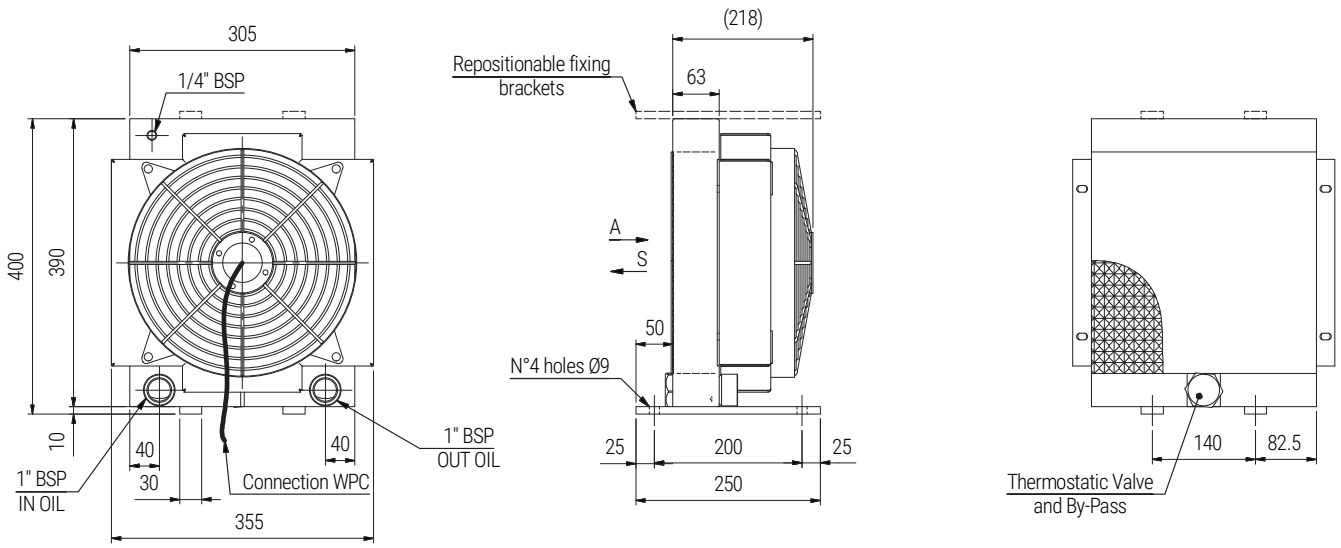
Type	Frequency HZ	Voltage V	RPM	Power KW	Fan Diameter mm	Noise level dB (A)	Air flow rate m ³ /h	Capacity lt	Weight KG	IP
14	50	230/400	1390	0.370	315	71	2200	1,8	18	55
	60	276/480	1685	0,440		72	2300			

PERFORMANCE DIAGRAM



HEAT EXCHANGERS

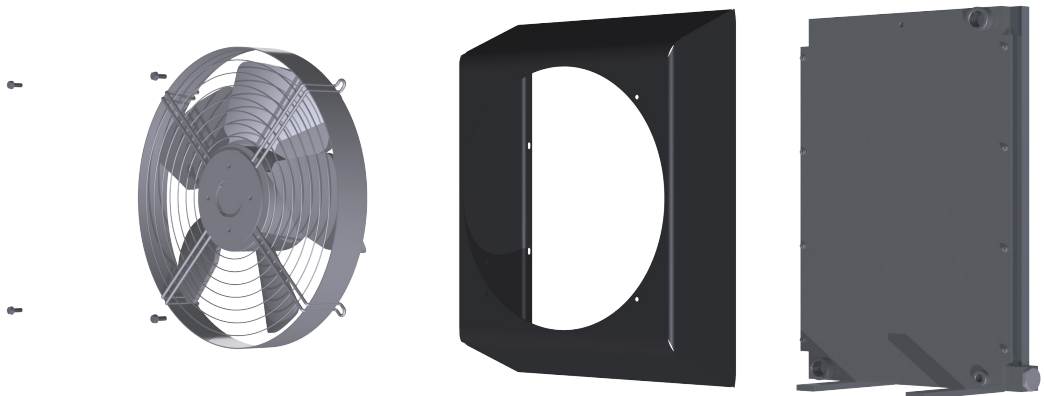
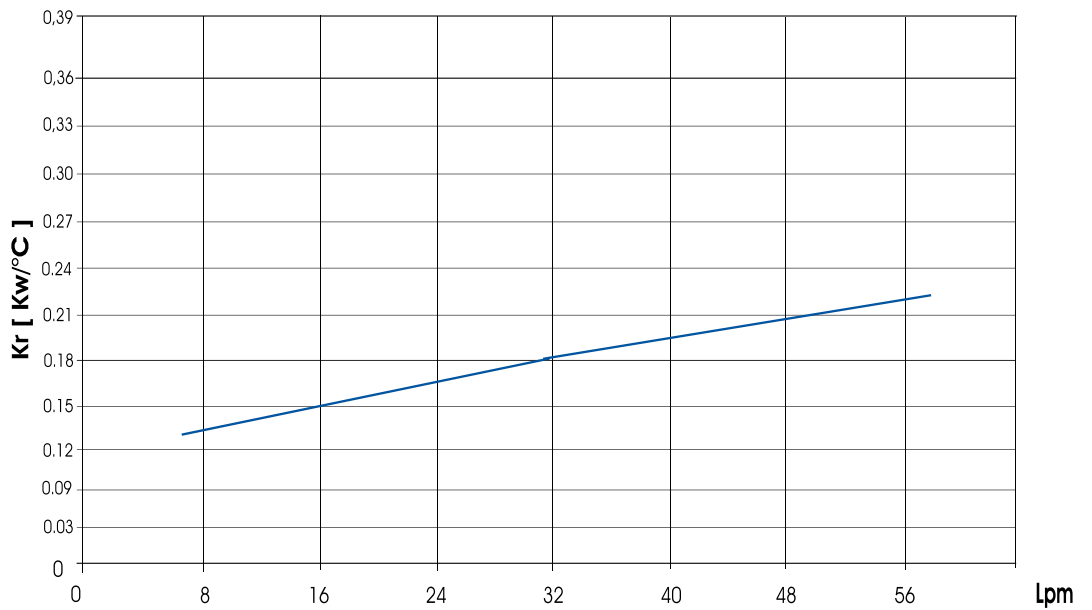
SSPV212.12 / SSPV212.24 (two pass)



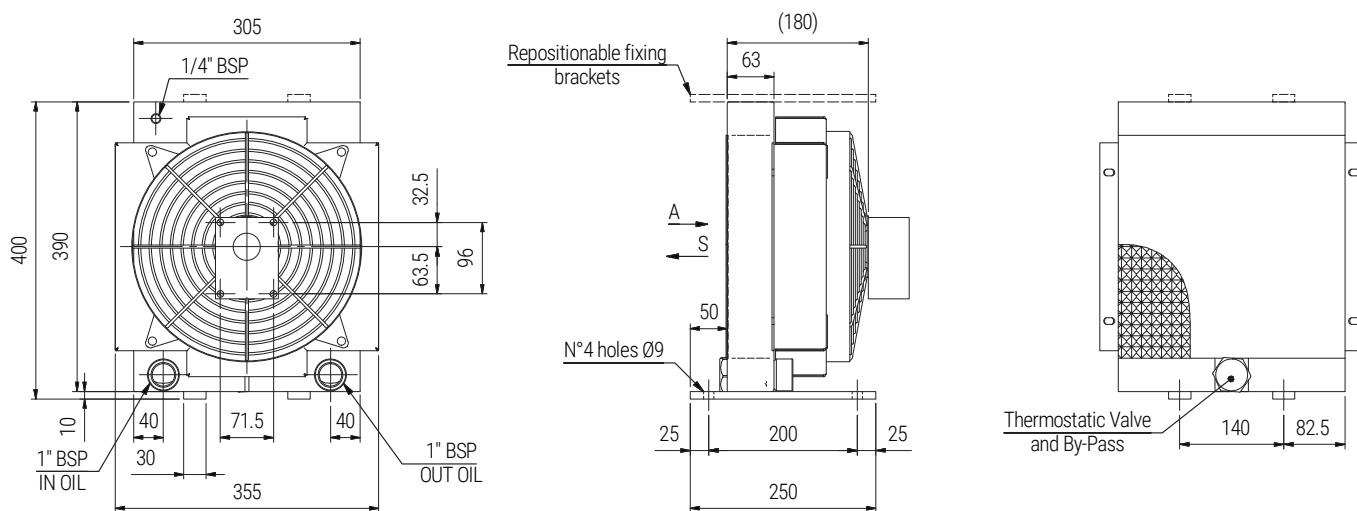
Type	Frequency HZ	Voltage V	RPM	Power KW	Fan Diameter mm	Noise level dB (A)	Air flow rate m ³ /h	Capacity lt	Weight KG	IP
12	DC	12	3090	0,218	305	68	2600	1,8	15	68
24		24					2350			

PERFORMANCE DIAGRAM

Fluid power handling

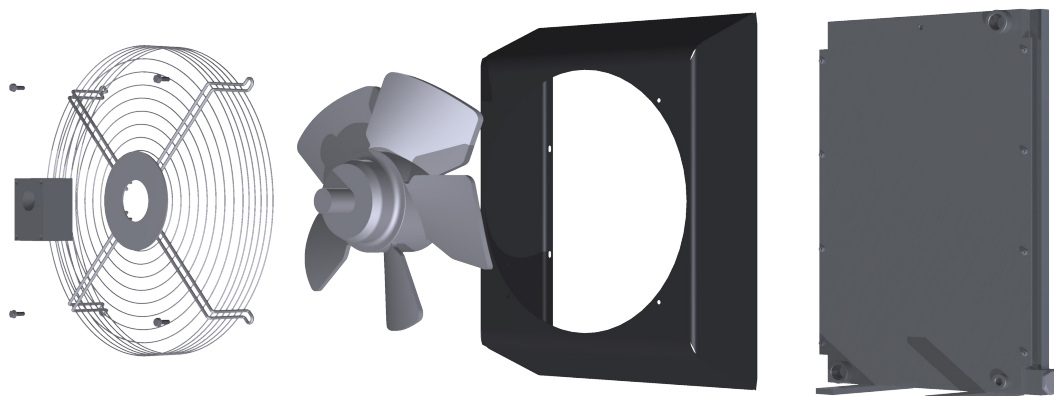
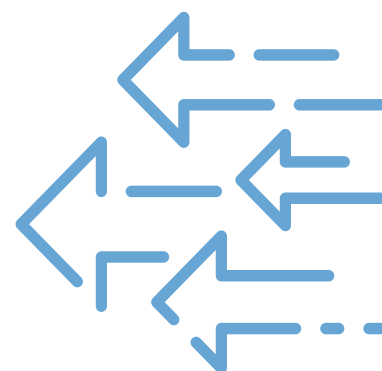
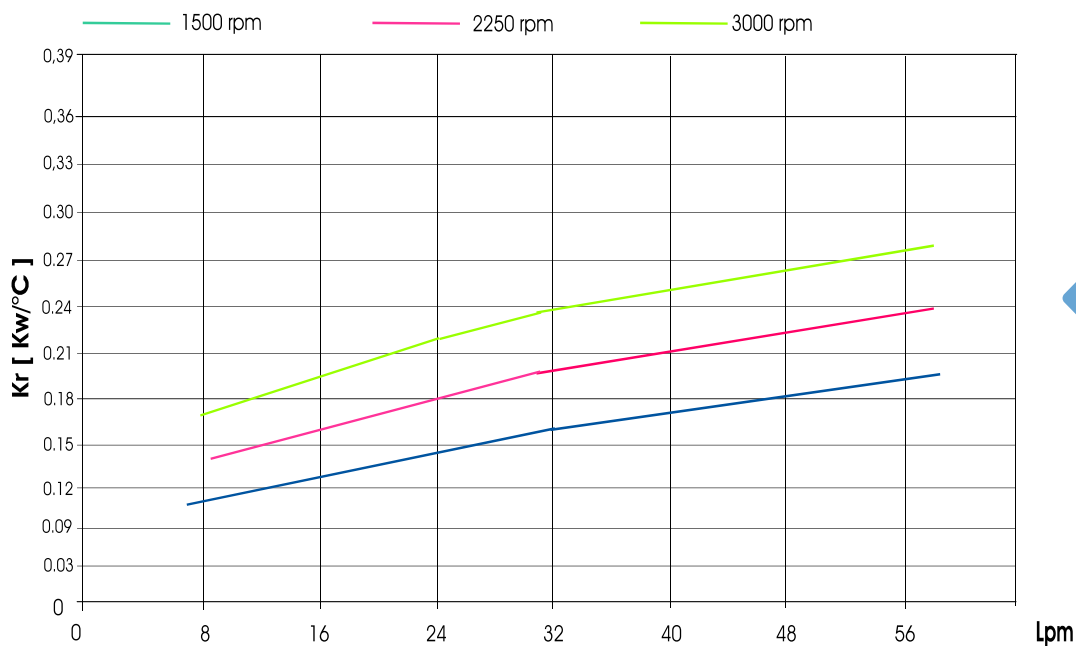


SSPV212.G2 (two pass)



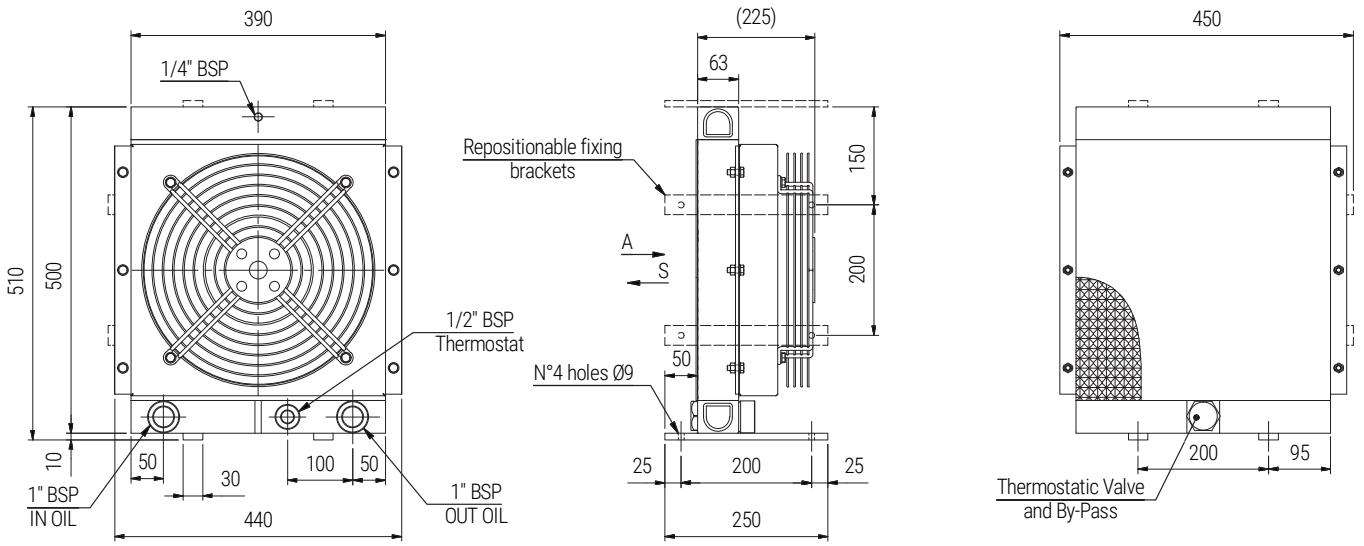
Type	Frequency HZ	Voltage V	RPM	Power KW	Fan Diameter mm	Noise level dB (A)	Air flow rate m ³ /h	Capacity lt	Weight KG	IP
G2			800/3000		300			1,8	14	

PERFORMANCE DIAGRAM



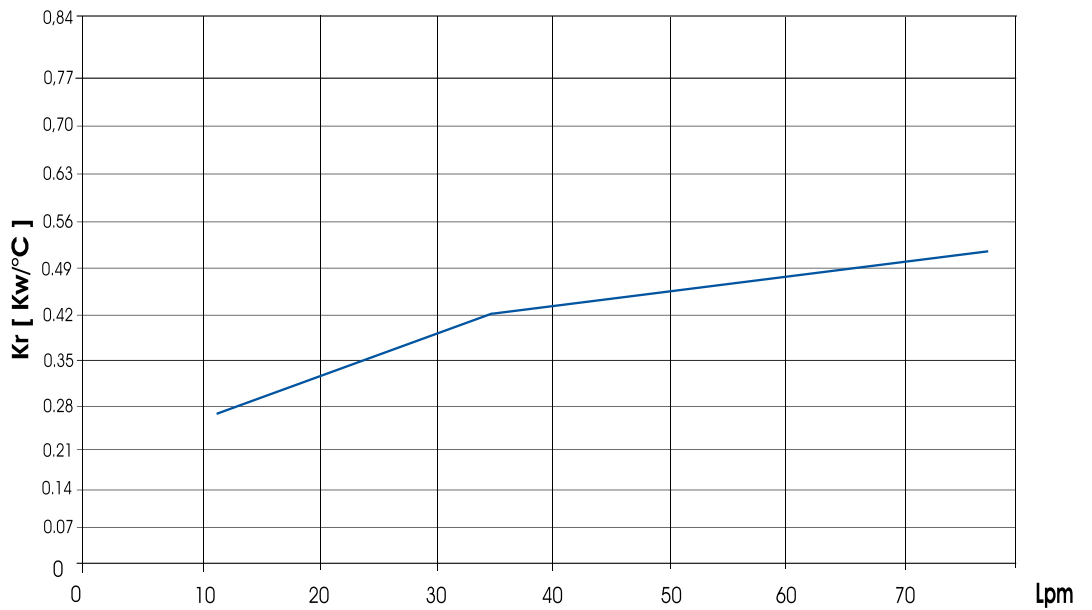
HEAT EXCHANGERS

SSPV218.01 / SSPV218.03 (two pass)

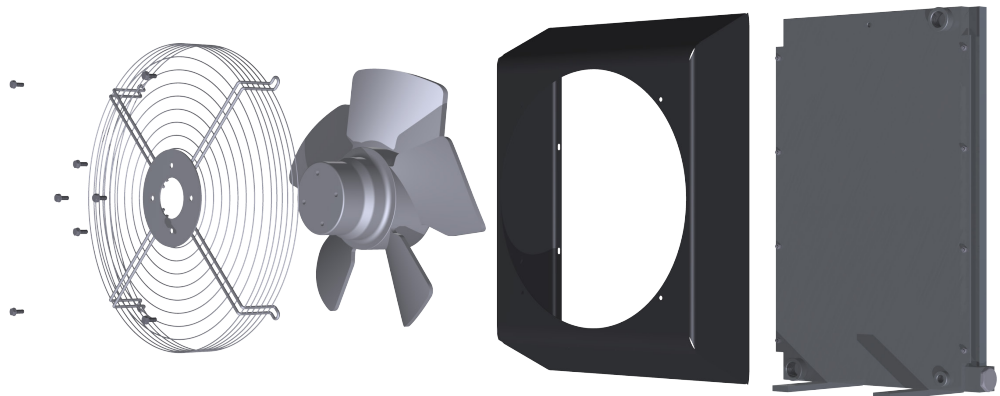


Type	Frequency HZ	Voltage V	RPM	Power KW	Fan Diameter mm	Noise level dB (A)	Air flow rate m ³ /h	Capacity lt	Weight KG	IP
01	50/60	230	1380/1550	0,180/0,250	400	68	4000	2,8	19	44
03	50/60	400	1380/1520	0,180/0,250		68	4300			

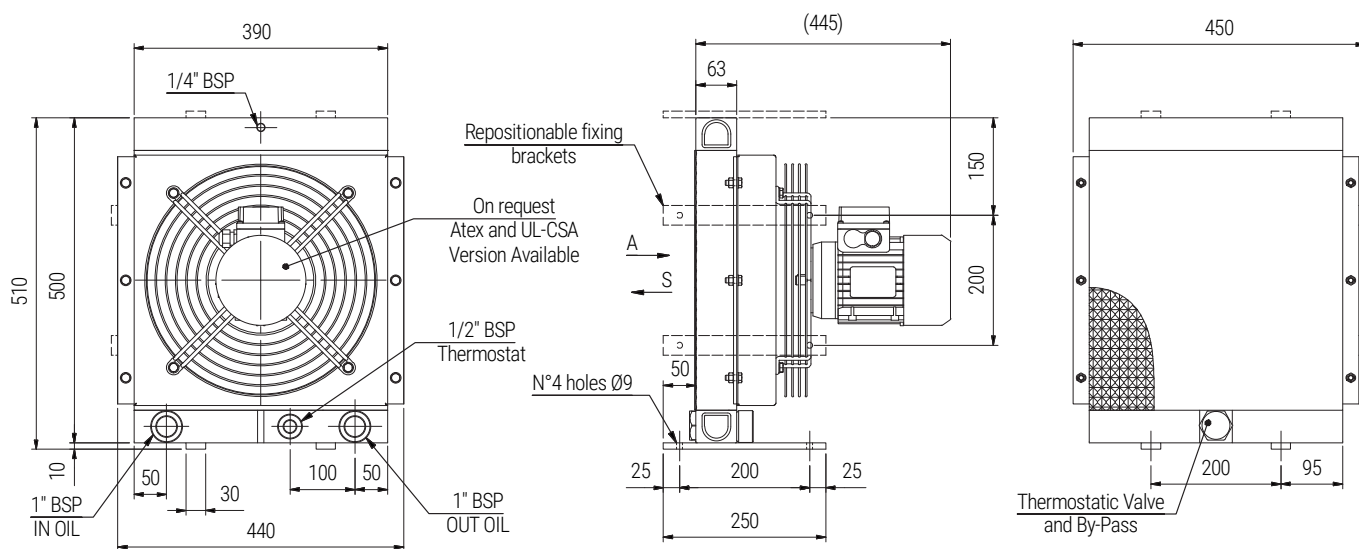
PERFORMANCE DIAGRAM



Fluid power handling

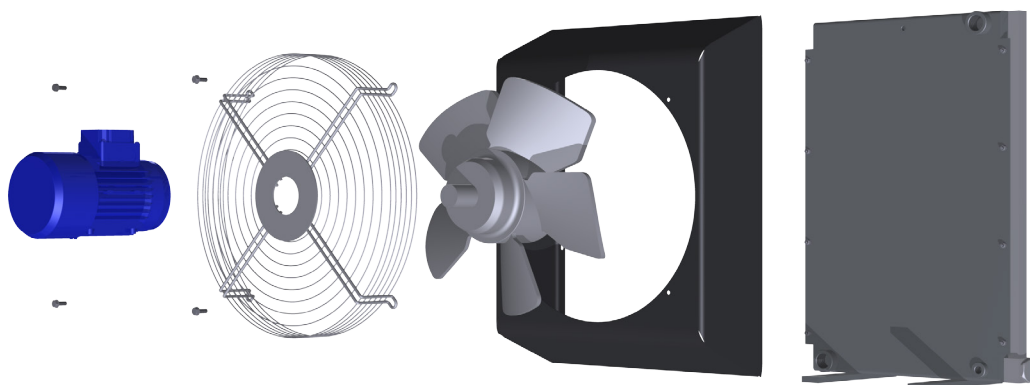
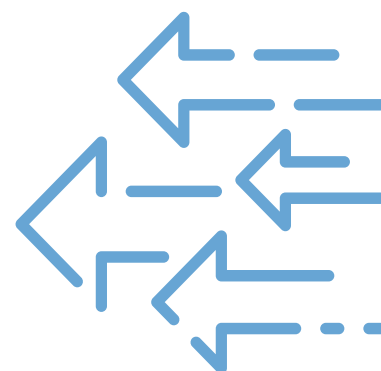
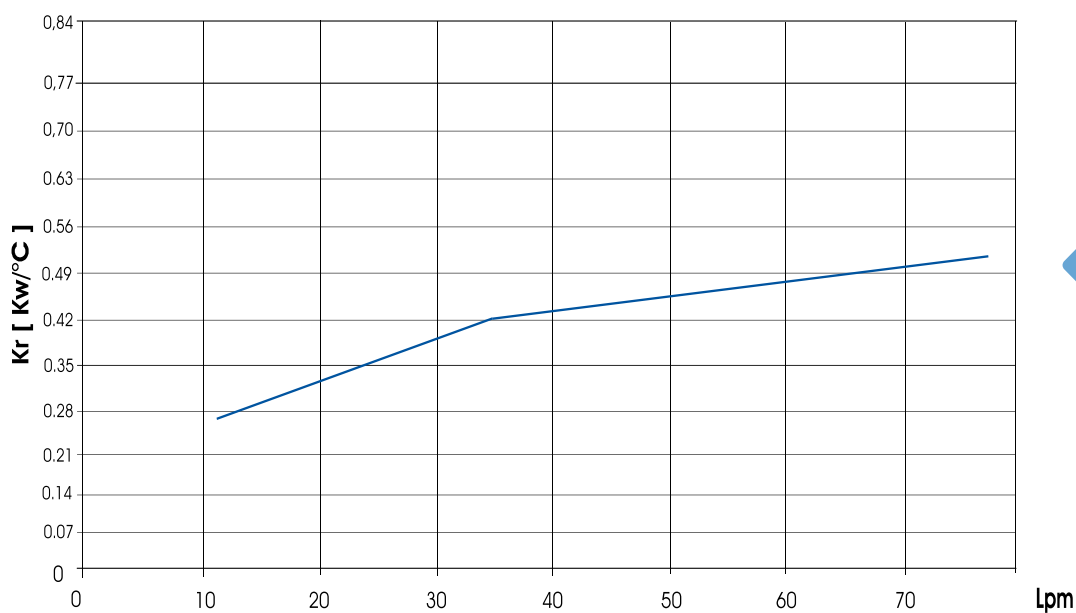


SSPV218.14 (two pass)



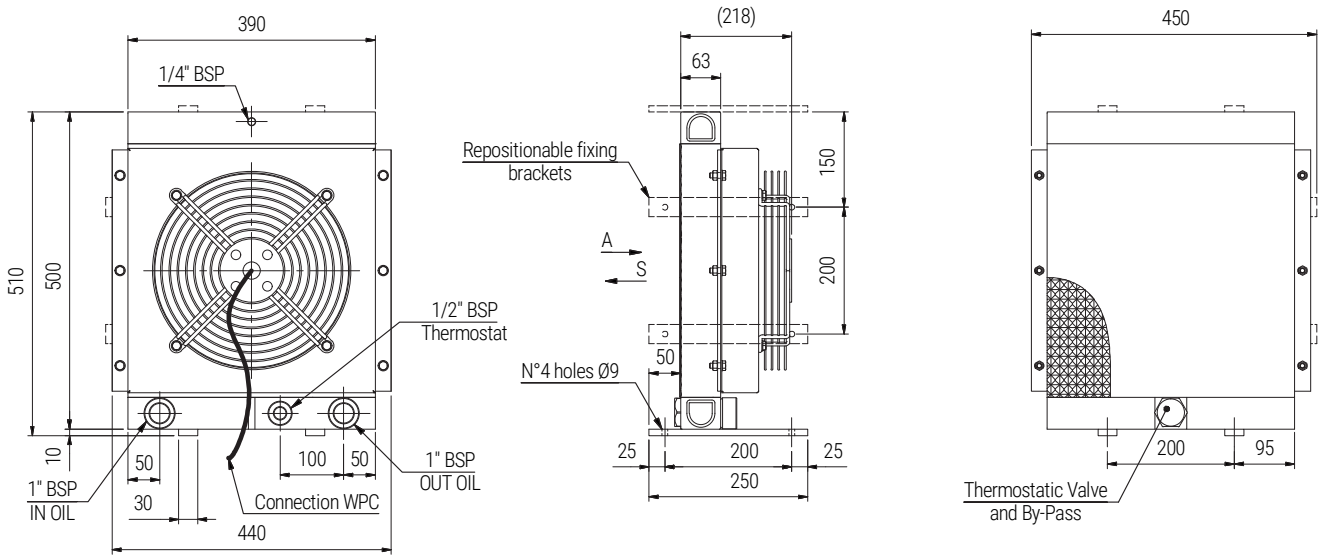
Type	Frequency HZ	Voltage V	RPM	Power KW	Fan Diameter mm	Noise level dB (A)	Air flow rate m ³ /h	Capacity lt	Weight KG	IP
14	50	230/400	1390	0.550	400	70	4000	2,8	21	55
	60	276/480	1685	0.660		71	4230			

PERFORMANCE DIAGRAM



HEAT EXCHANGERS

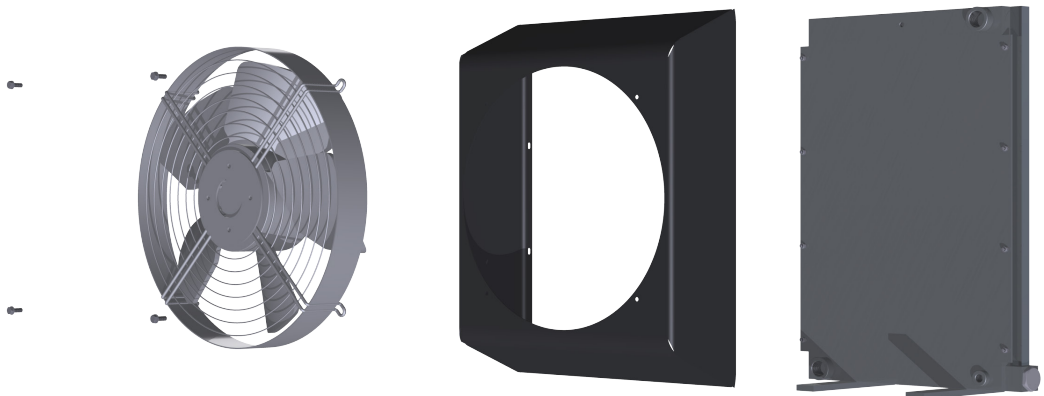
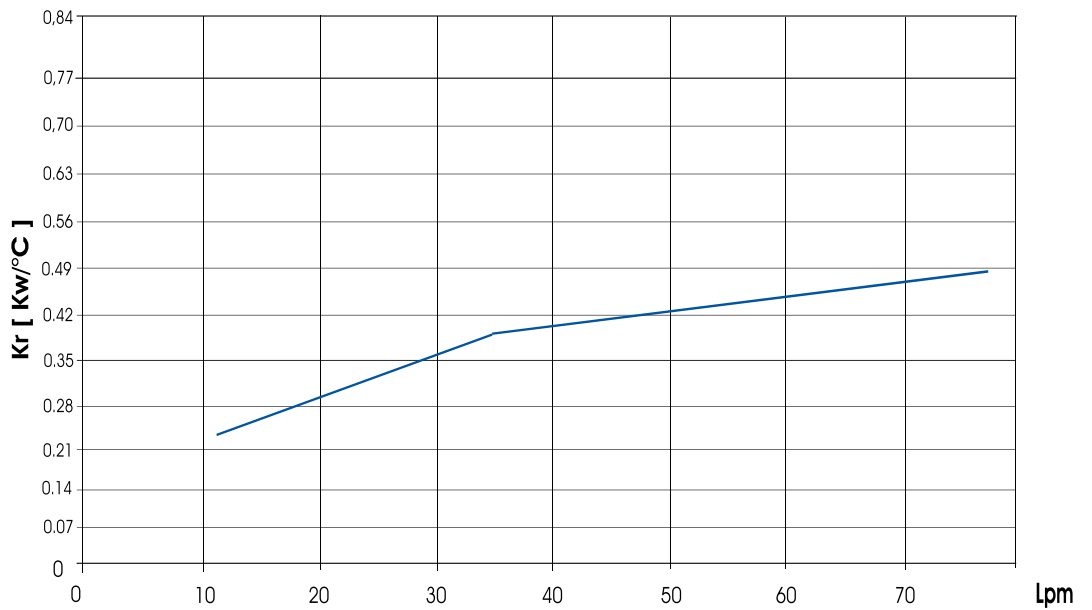
SSPV218.12 / SSPV218.24 (two pass)



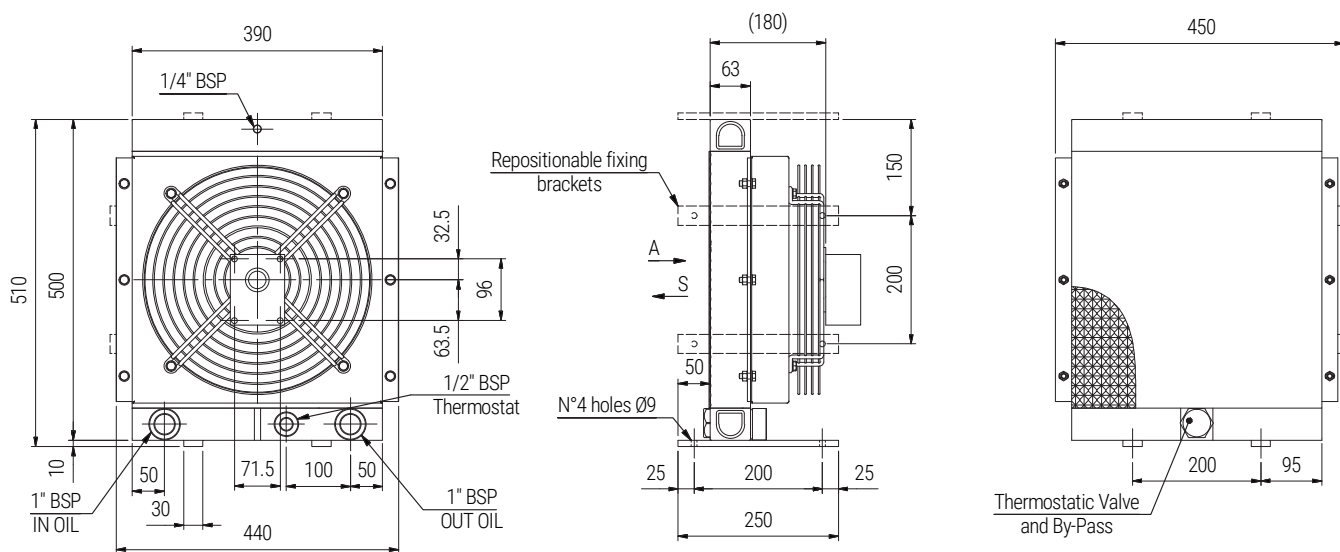
Type	Frequency HZ	Voltage V	RPM	Power KW	Fan Diameter mm	Noise level dB (A)	Air flow rate m ³ /h	Capacity lt	Weight KG	IP
12	DC	12	2248	0.151	385	77	2950	3.1	18	68
24		24					3100			

PERFORMANCE DIAGRAM

Fluid power handling

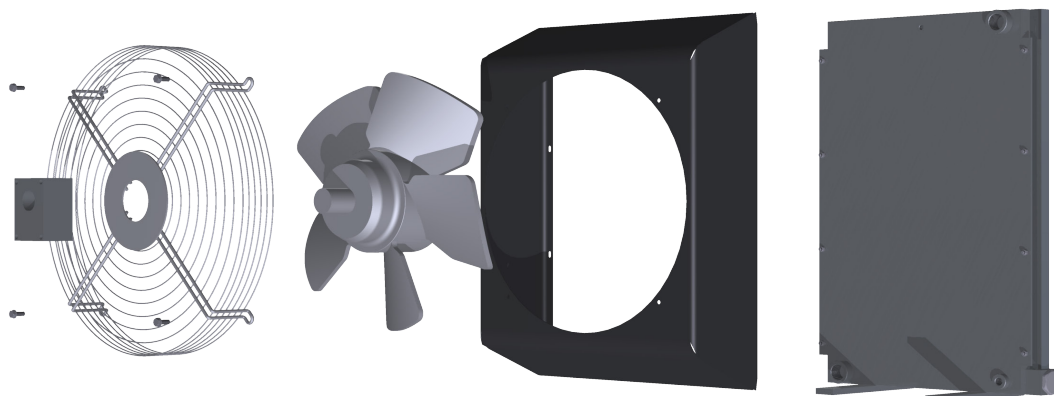
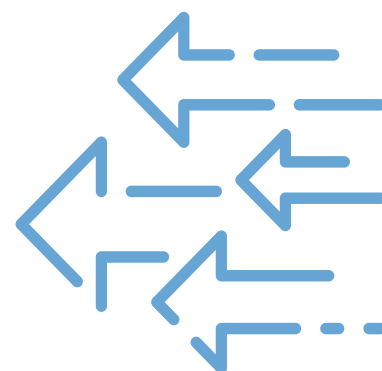
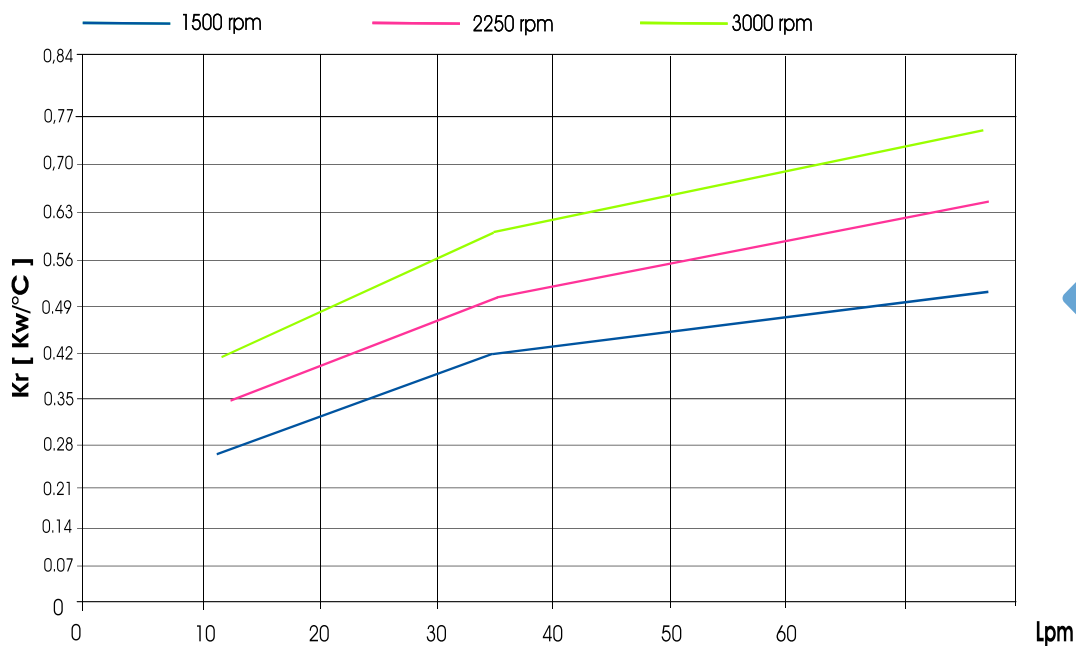


SSPV218.G2 (two pass)



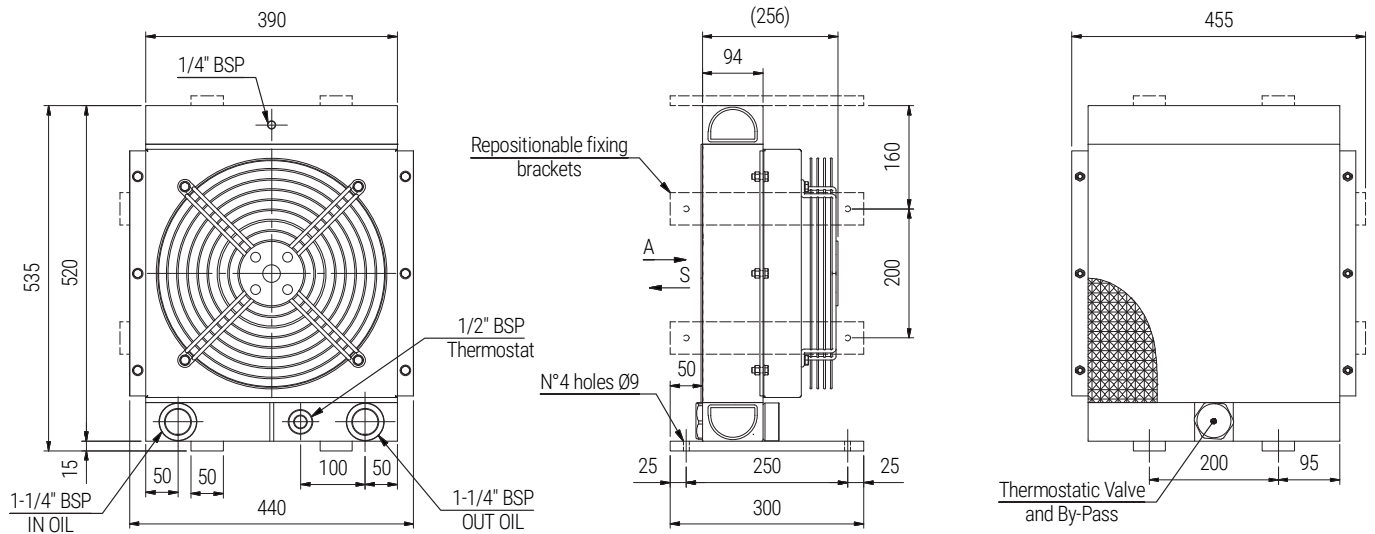
Type	Frequency HZ	Voltage V	RPM	Power KW	Fan Diameter mm	Noise level dB (A)	Air flow rate m ³ /h	Capacity lt	Weight KG	IP
G2			800/3000		400			2,8	20	

PERFORMANCE DIAGRAM



HEAT EXCHANGERS

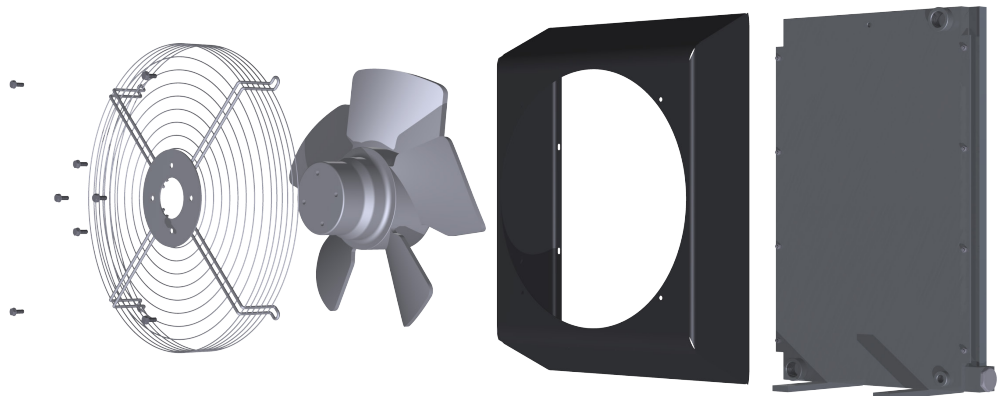
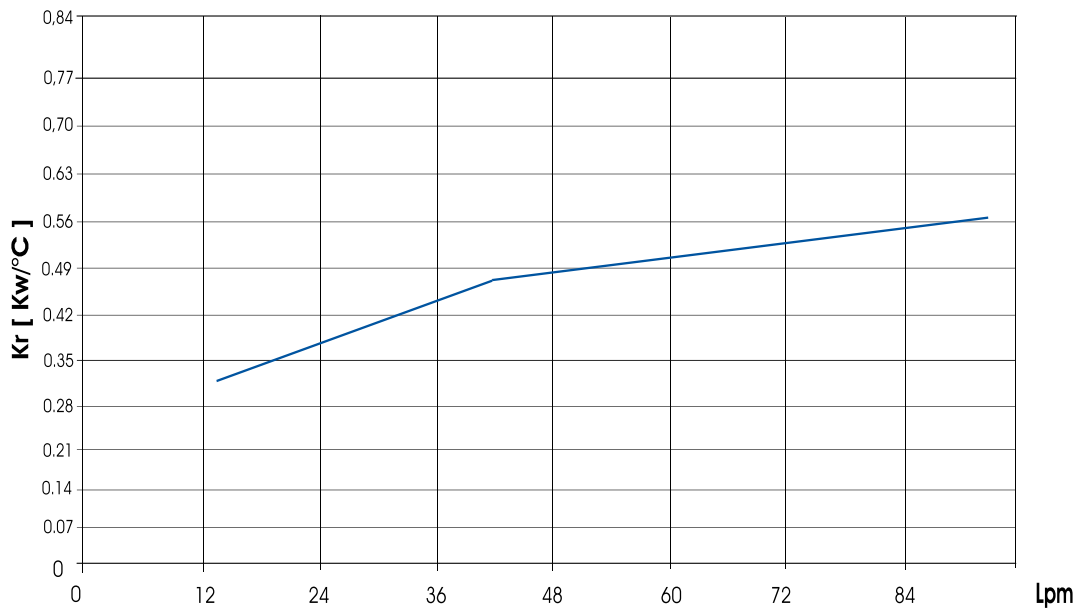
SSPV224.01 / SSPV224.03 (two pass)



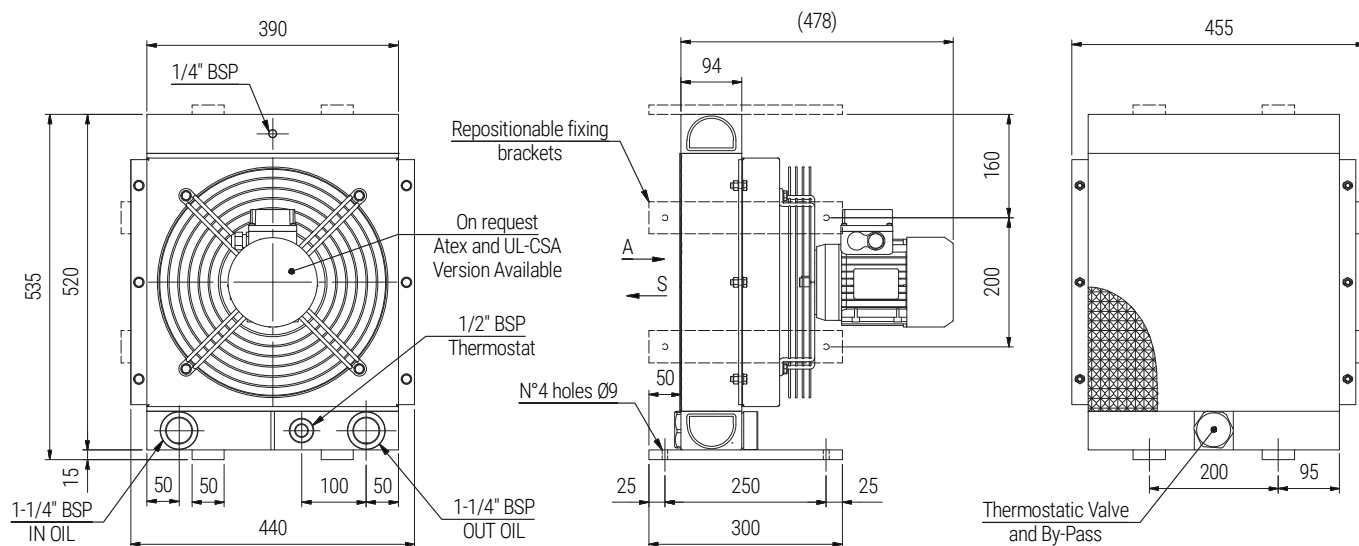
Type	Frequency HZ	Voltage V	RPM	Power KW	Fan Diameter mm	Noise level dB (A)	Air flow rate m ³ /h	Capacity lt	Weight KG	IP
01	50/60	230	1380/1550	0.180/0.250	400	68	3900	3.1	22	44
03	50/60	400	1380/1520	0.180/0.250		68	4100			

PERFORMANCE DIAGRAM

Fluid power handling

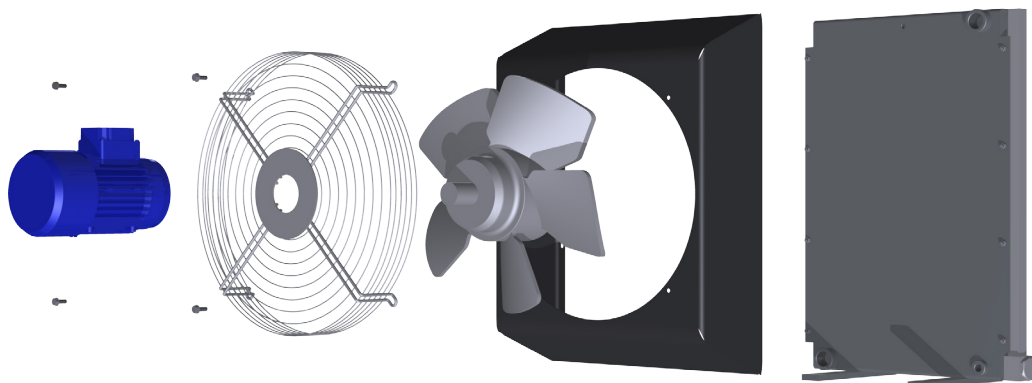
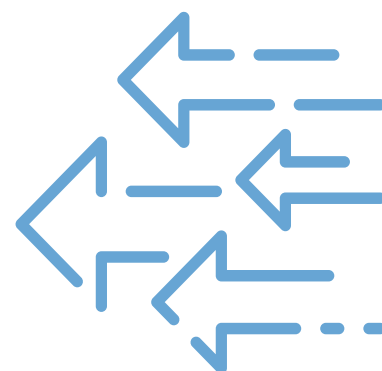
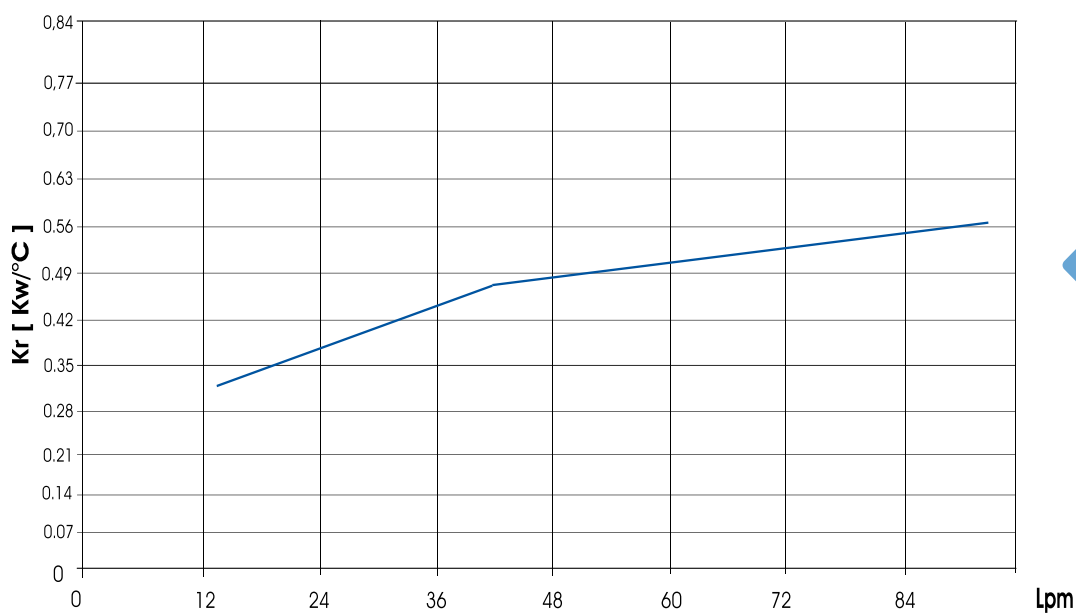


SSPV224.14 (two pass)



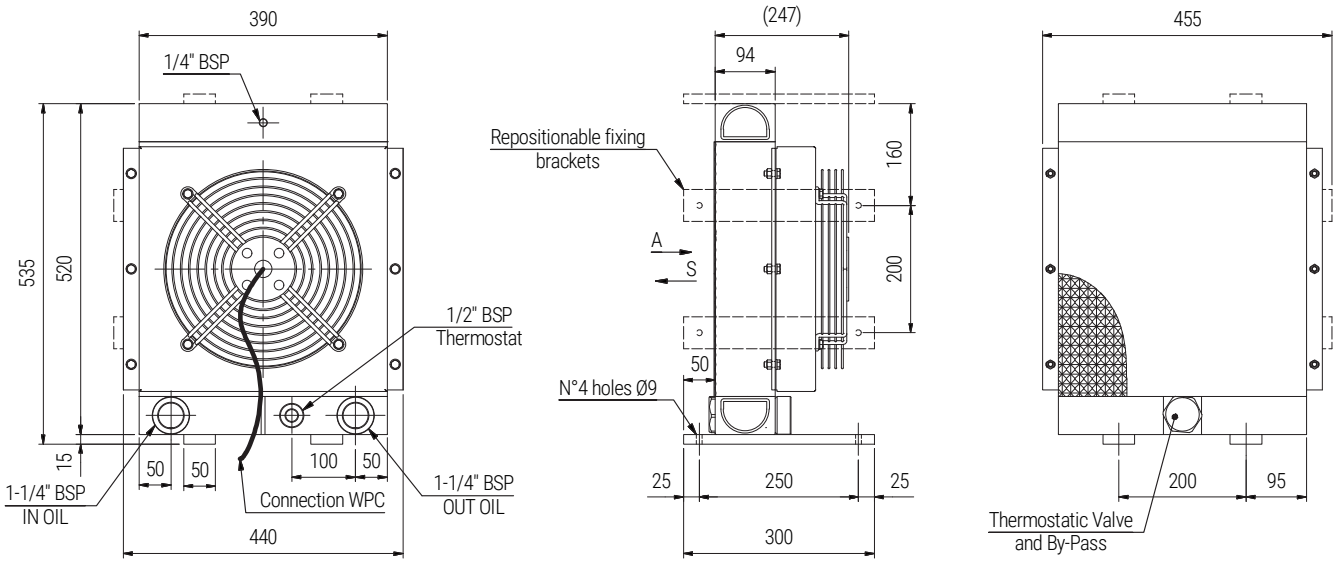
Type	Frequency HZ	Voltage V	RPM	Power KW	Fan Diameter mm	Noise level dB (A)	Air flow rate m ³ /h	Capacity lt	Weight KG	IP
14	50	230/400	1390	0.550	400	70	3850	3.1	27	55
	60	276/480	1685	0.660		71	4030			

PERFORMANCE DIAGRAM



HEAT EXCHANGERS

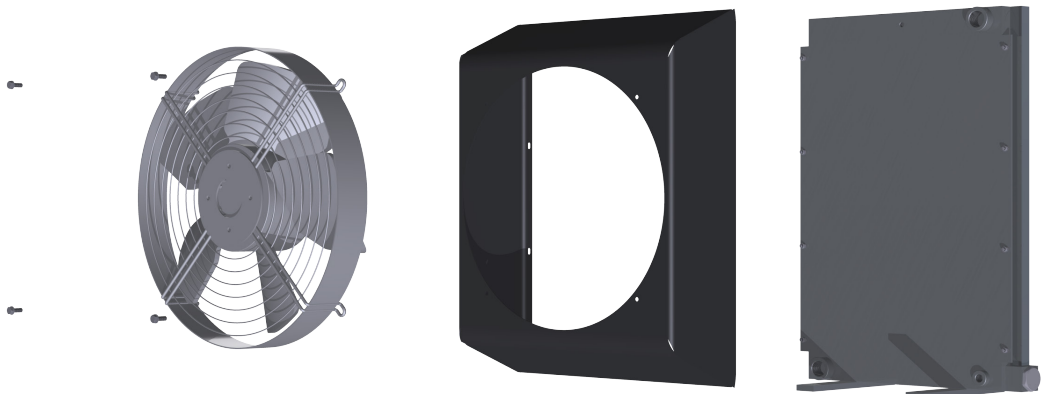
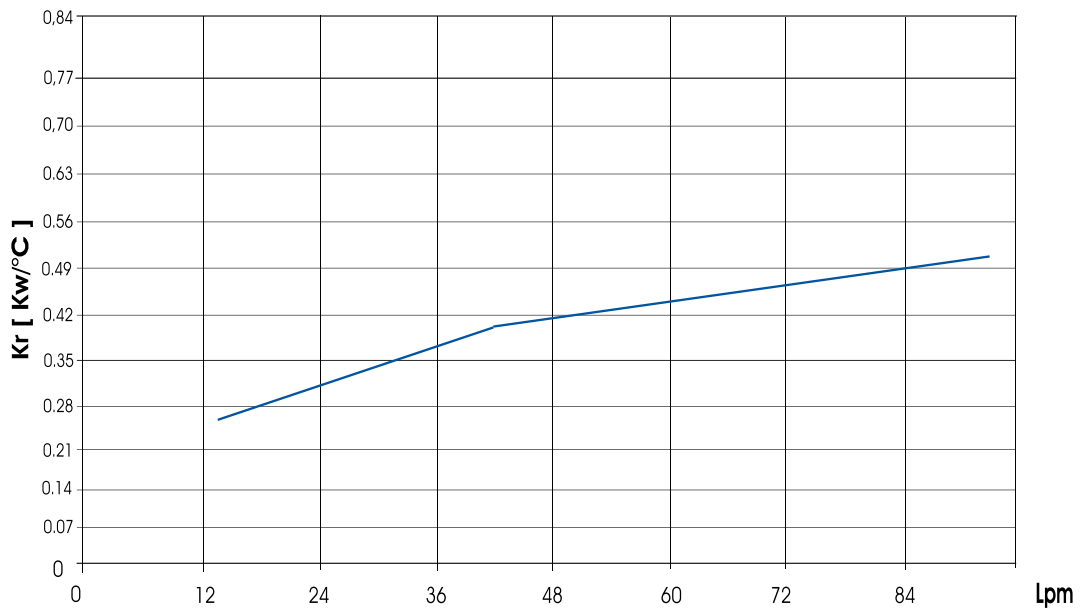
SSPV224.12 / SSPV224.24 (two pass)



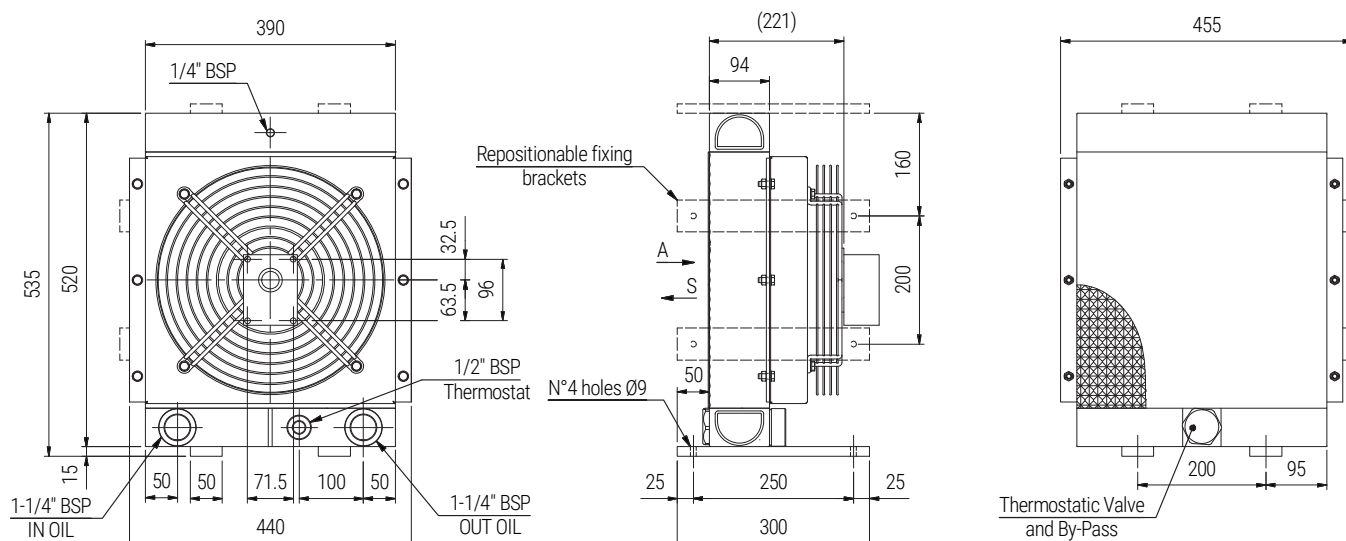
Type	Frequency HZ	Voltage V	RPM	Power KW	Fan Diameter mm	Noise level dB (A)	Air flow rate m ³ /h	Capacity lt	Weight KG	IP
12	DC	12	2248	0,151	385	77	2850	2,8	21	68
24		24					3000			

PERFORMANCE DIAGRAM

Fluid power handling

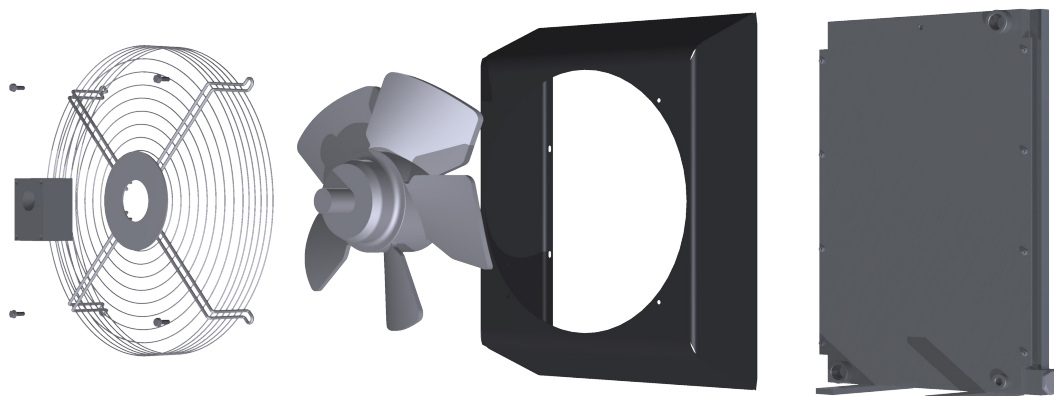
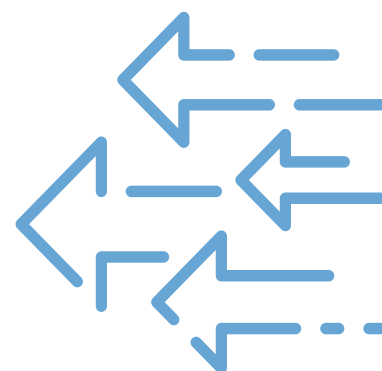
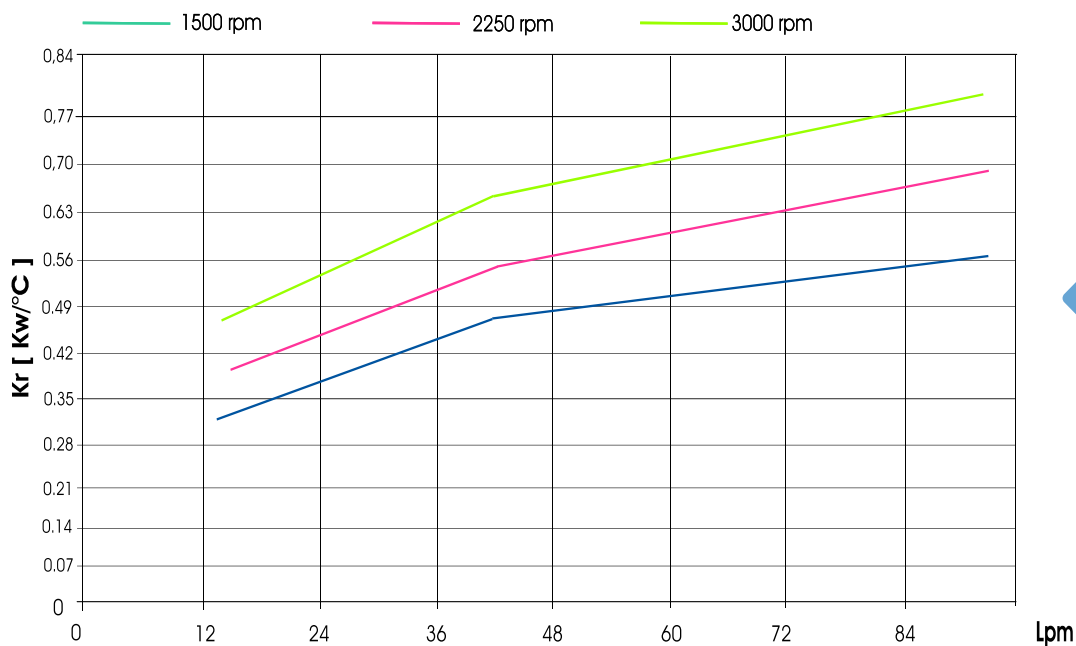


SSPV224.G2 (two pass)



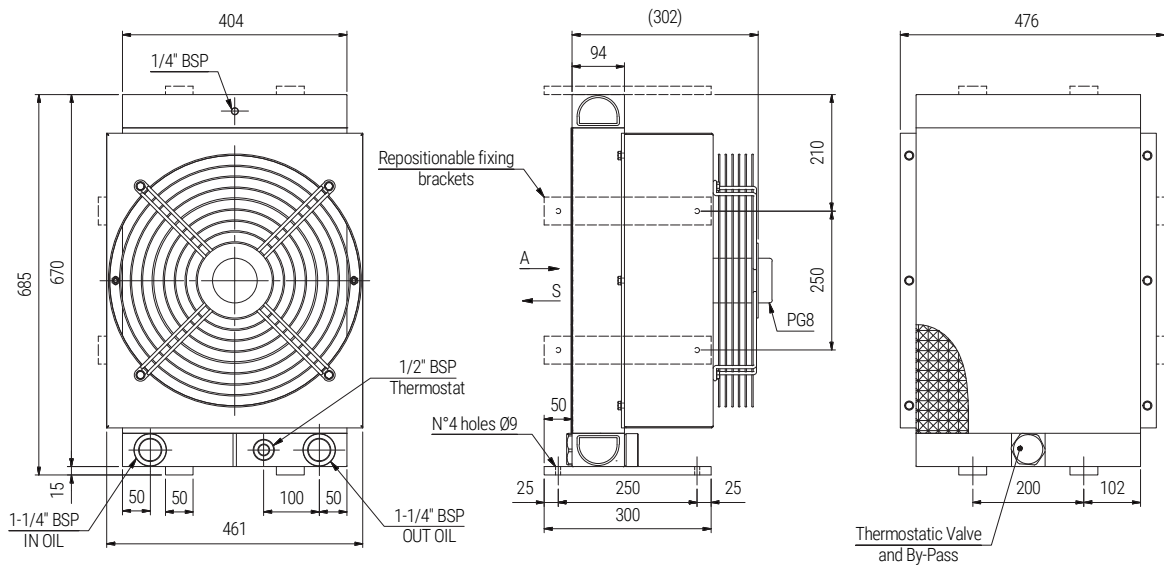
Type	Frequency HZ	Voltage V	RPM	Power KW	Fan Diameter mm	Noise level dB (A)	Air flow rate m ³ /h	Capacity lt	Weight KG	IP
G2			800/3000		400			3,1	23	

PERFORMANCE DIAGRAM



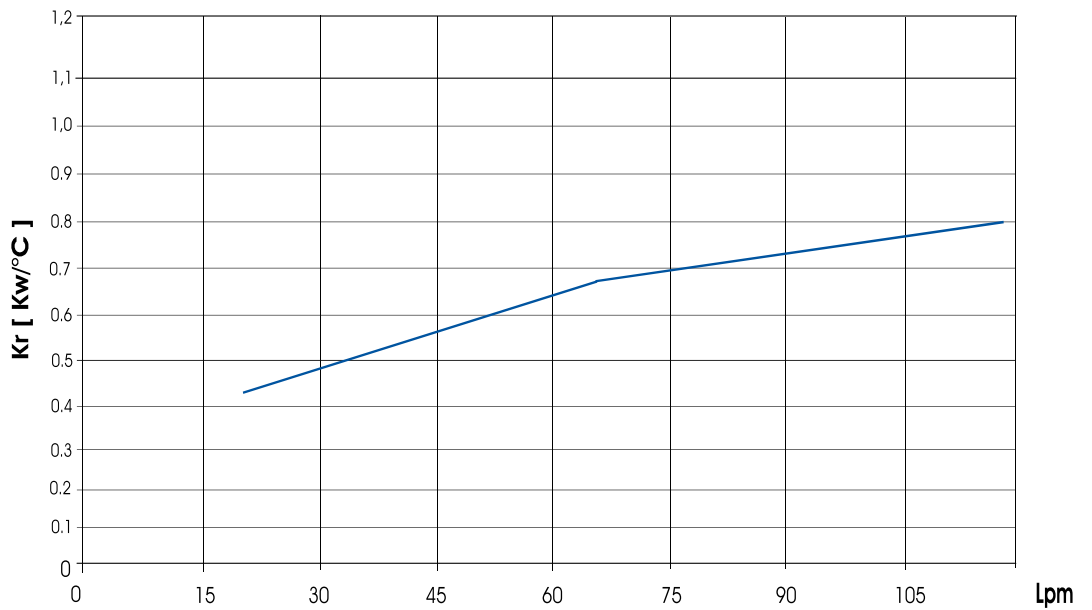
HEAT EXCHANGERS

SSPV230.01 / SSPV230.03 (two pass)

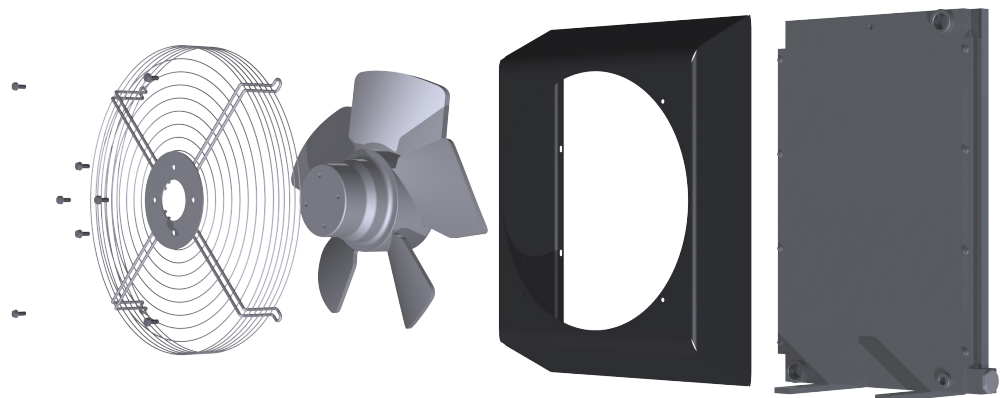


Type	Frequency HZ	Voltage V	RPM	Power KW	Fan Diameter mm	Noise level dB (A)	Air flow rate m ³ /h	Capacity lt	Weight KG	IP
01	50/60	230	1600/1750	0,660/0,800	450	73	6200	6,7	32	44
03	50/60	400	1600/1750	0,660/0,800		73	6200			

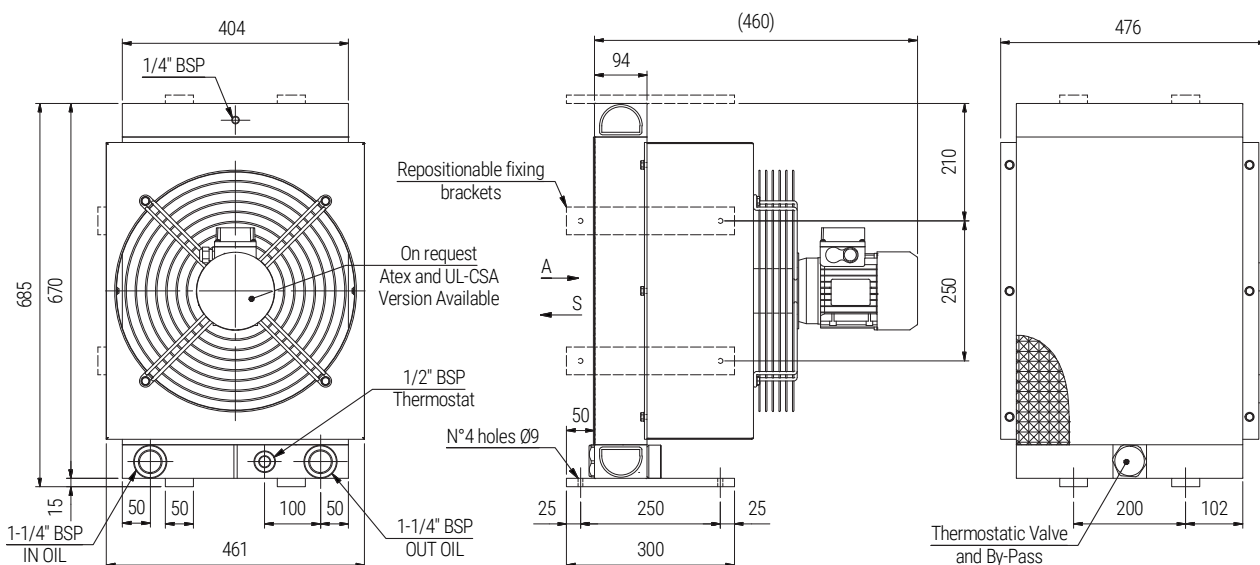
PERFORMANCE DIAGRAM



Fluid power handling

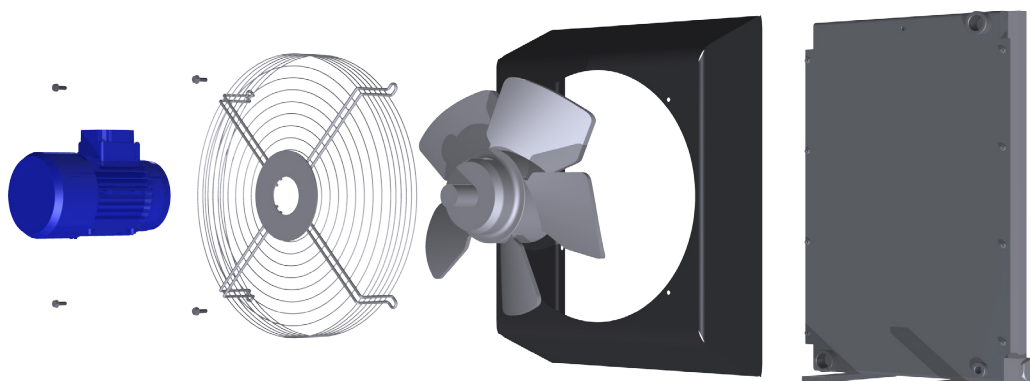
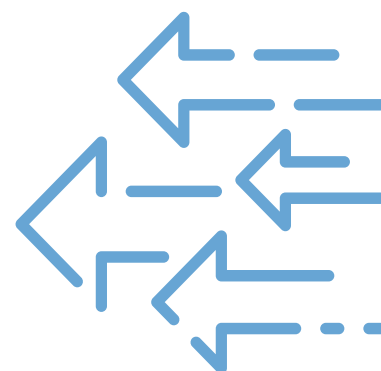
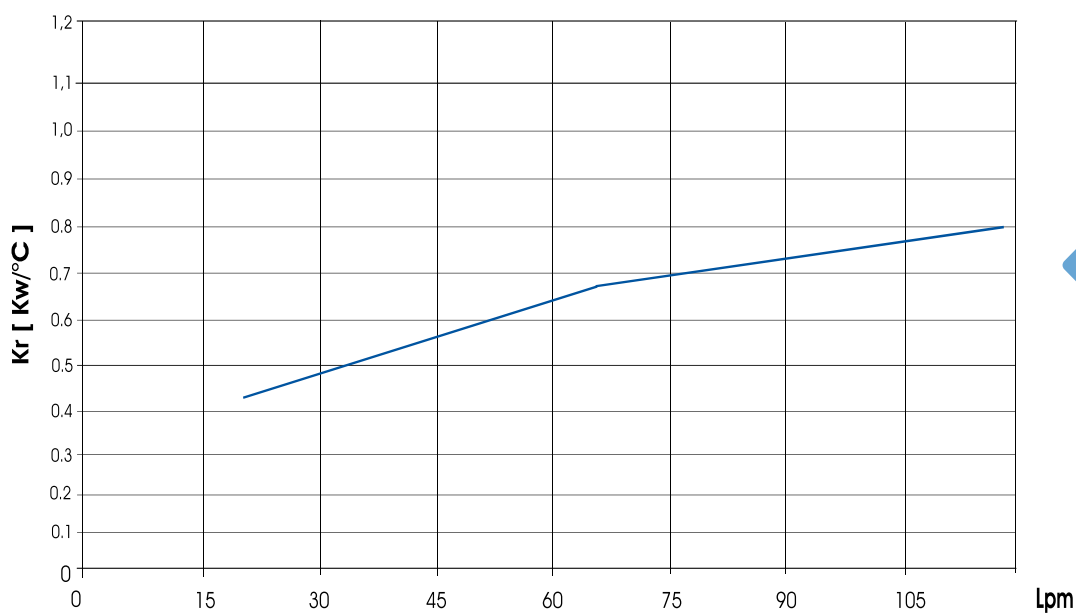


SSPV230.14 (two pass)



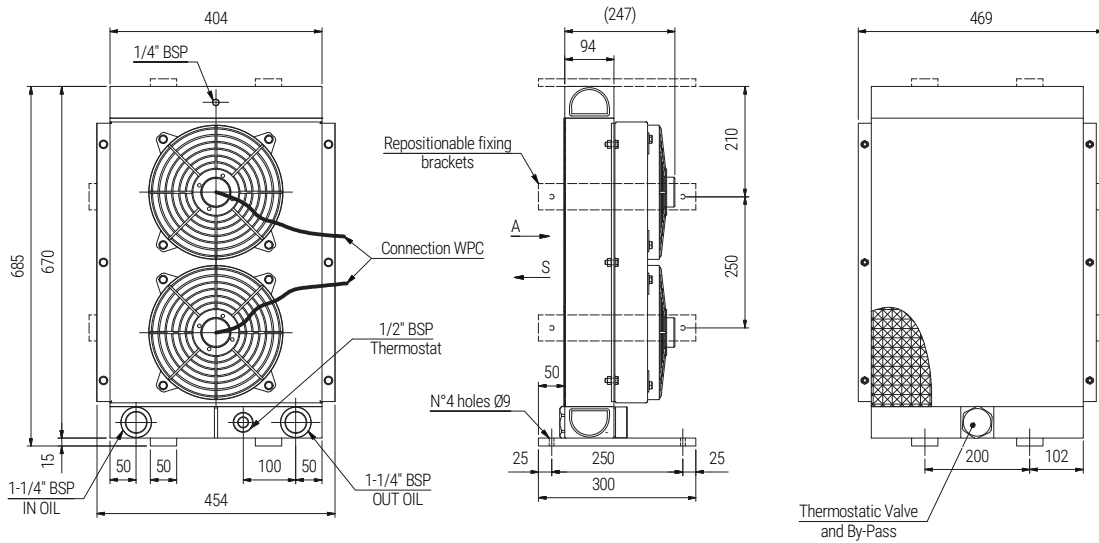
Type	Frequency HZ	Voltage V	RPM	Power KW	Fan Diameter mm	Noise level dB (A)	Air flow rate m ³ /h	Capacity lt	Weight KG	IP
14	50	230/400	1390	0.750	450	73	6830	6,7	36	55
	60	276/480	1685	0.900		74	6980			

PERFORMANCE DIAGRAM



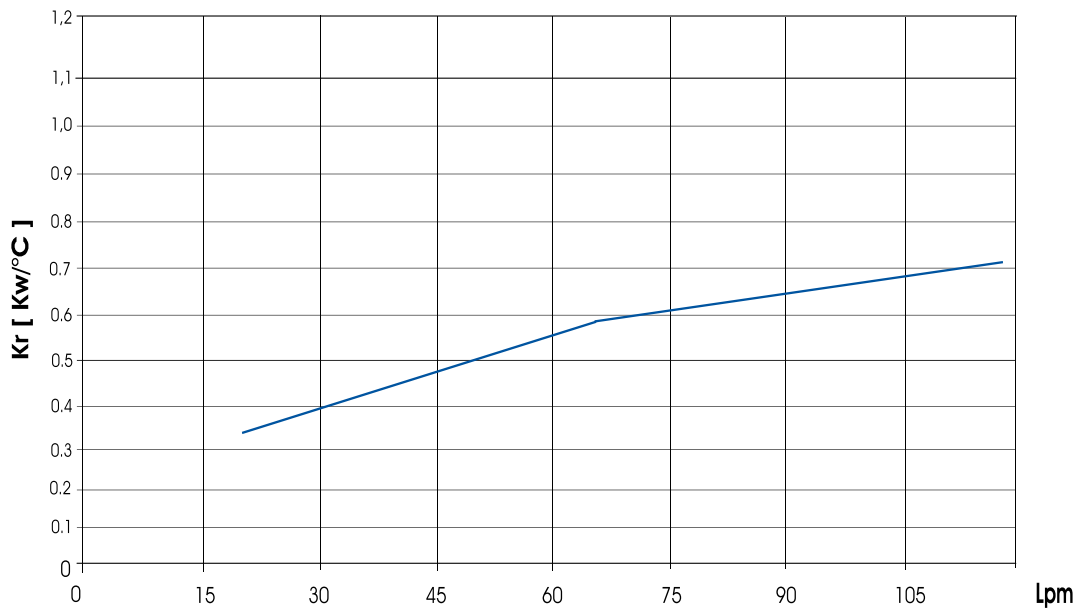
HEAT EXCHANGERS

SSPV230.12 / SSPV230.24 (two pass)

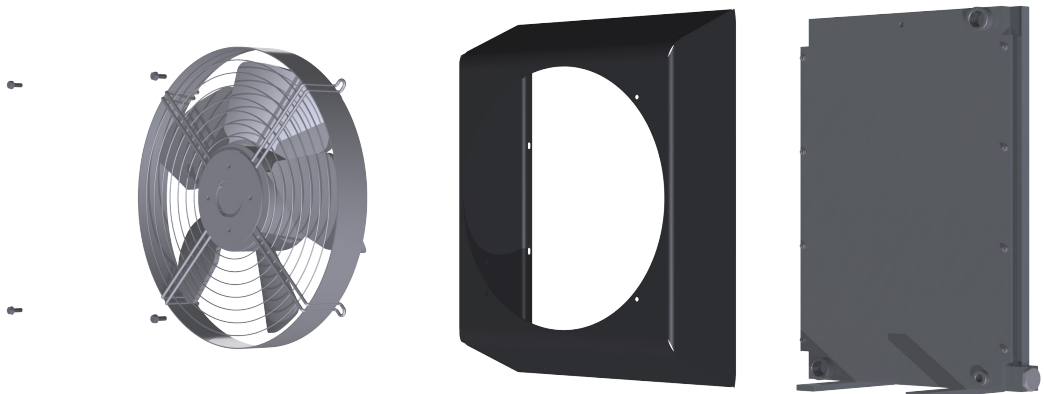


Type	Frequency HZ	Voltage V	RPM	Power KW	Fan Diameter mm	Noise level dB (A)	Air flow rate m ³ /h	Capacity lt	Weight KG	IP
12	DC	12	3005	0,106x2	280	74	2800	6,7	31	68
24		24					2900			

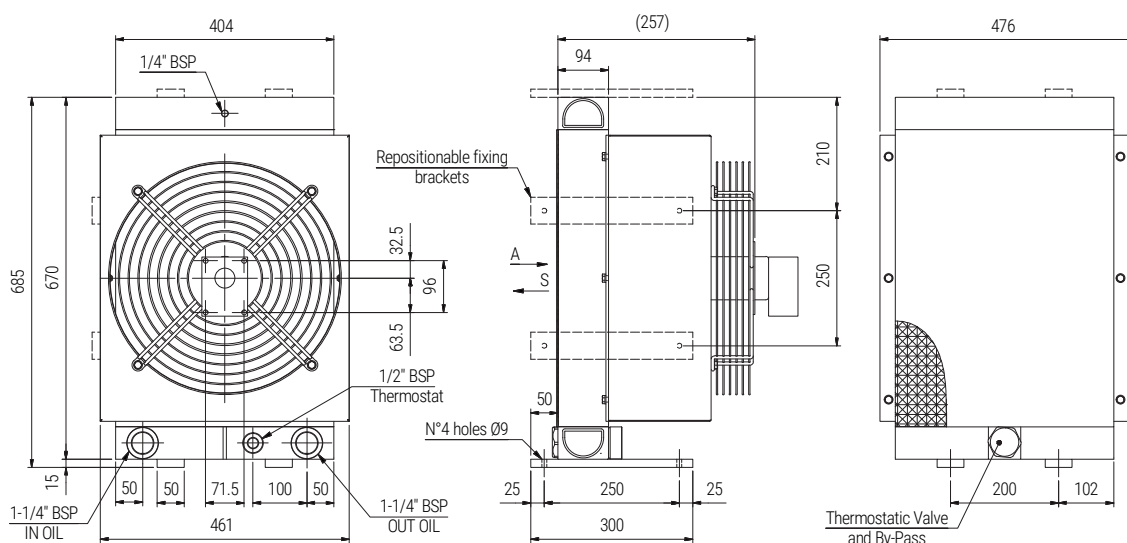
PERFORMANCE DIAGRAM



Fluid power handling

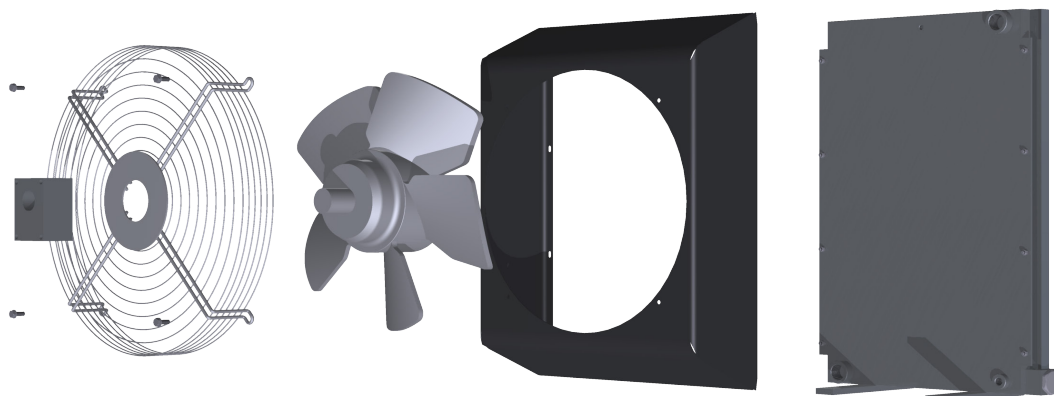
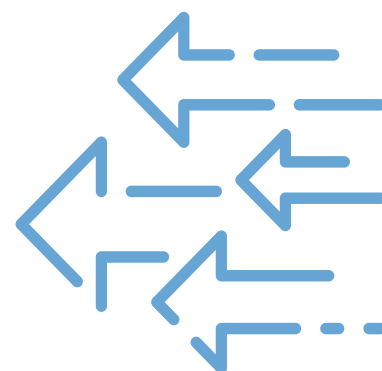
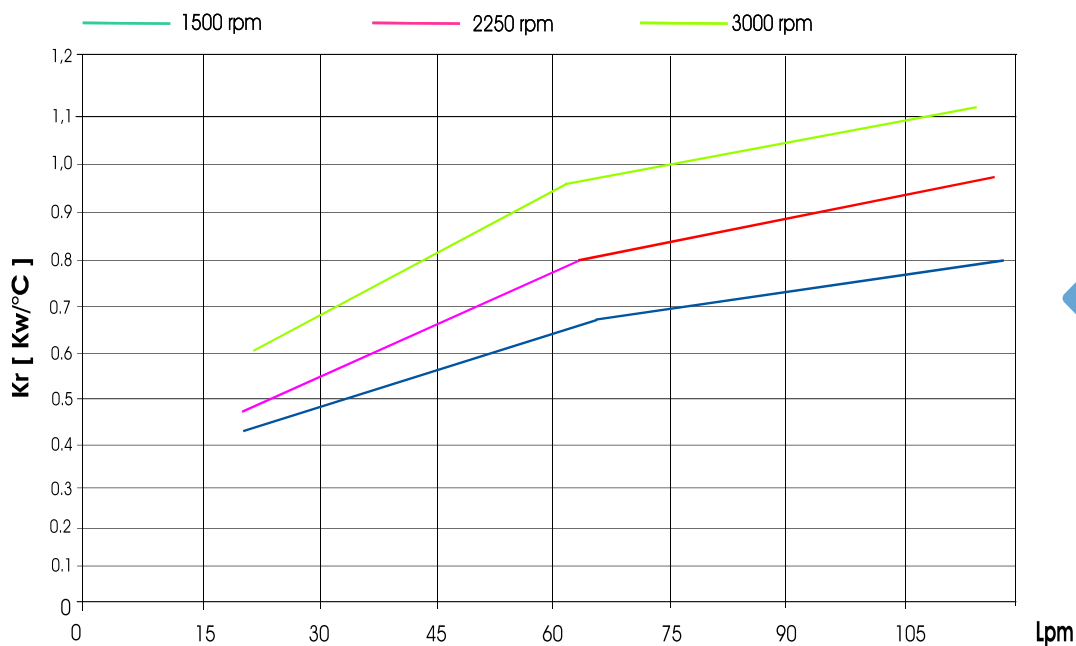


SSPV230.G2 (two pass)



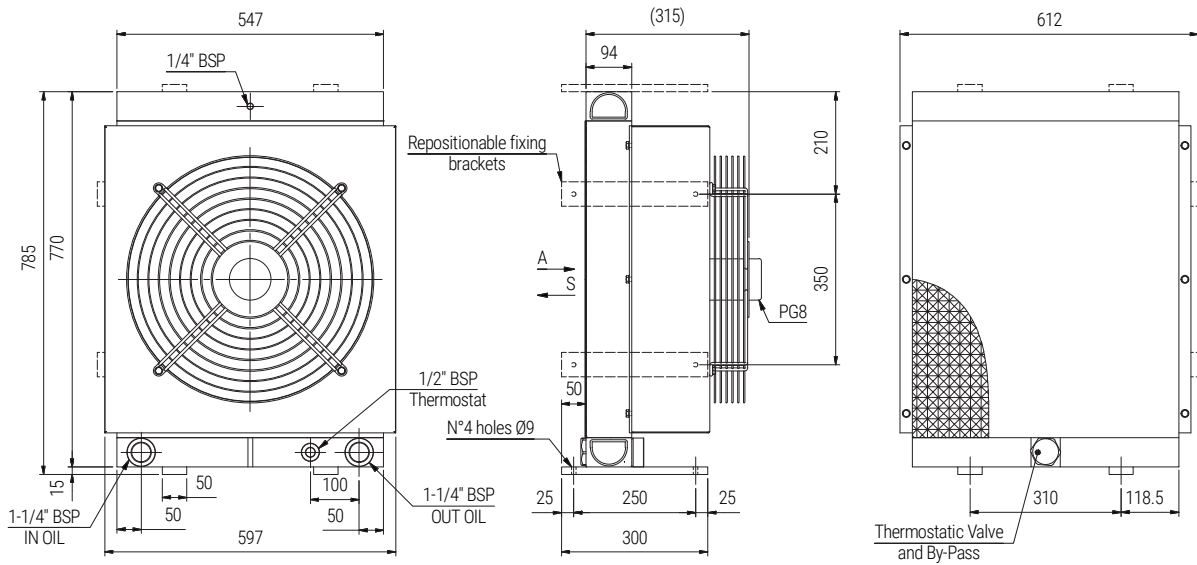
Type	Frequency HZ	Voltage V	RPM	Power KW	Fan Diameter mm	Noice level dB (A)	Air flow rate m ³ /h	Capacity lt	Weight KG	IP
G2			800/3000		450			6.7	33	

PERFORMANCE DIAGRAM



HEAT EXCHANGERS

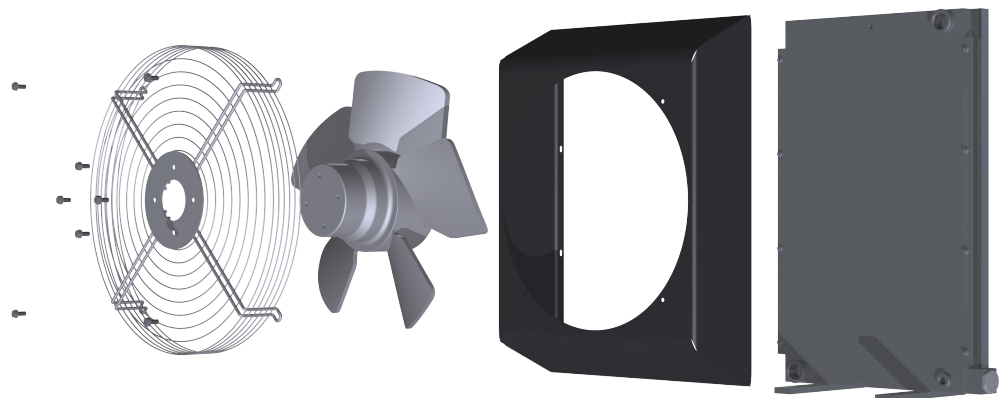
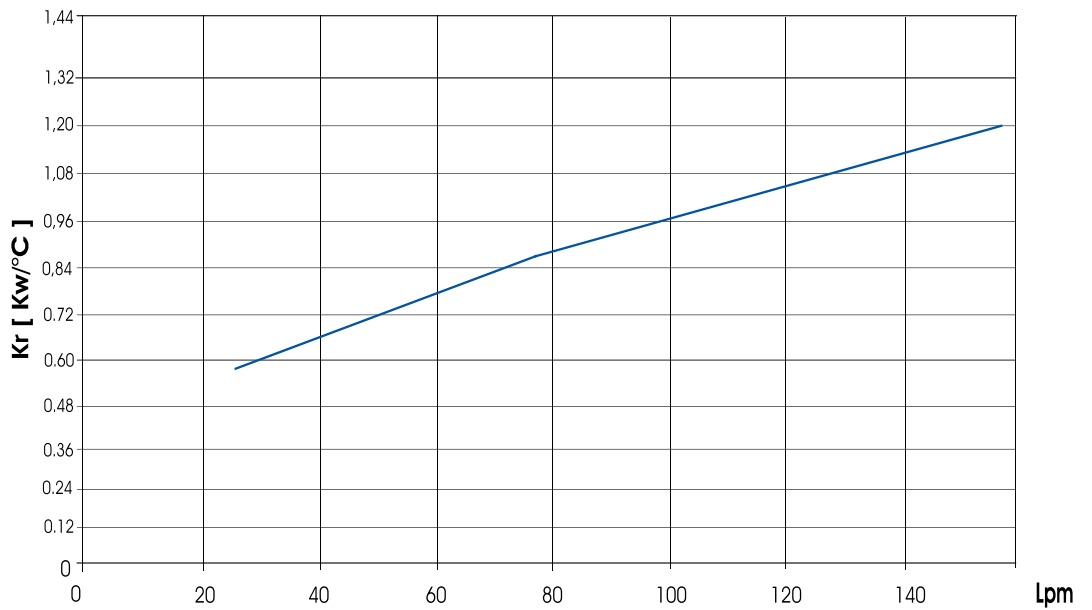
SSPV236.01 / SSPV236.03 (two pass)



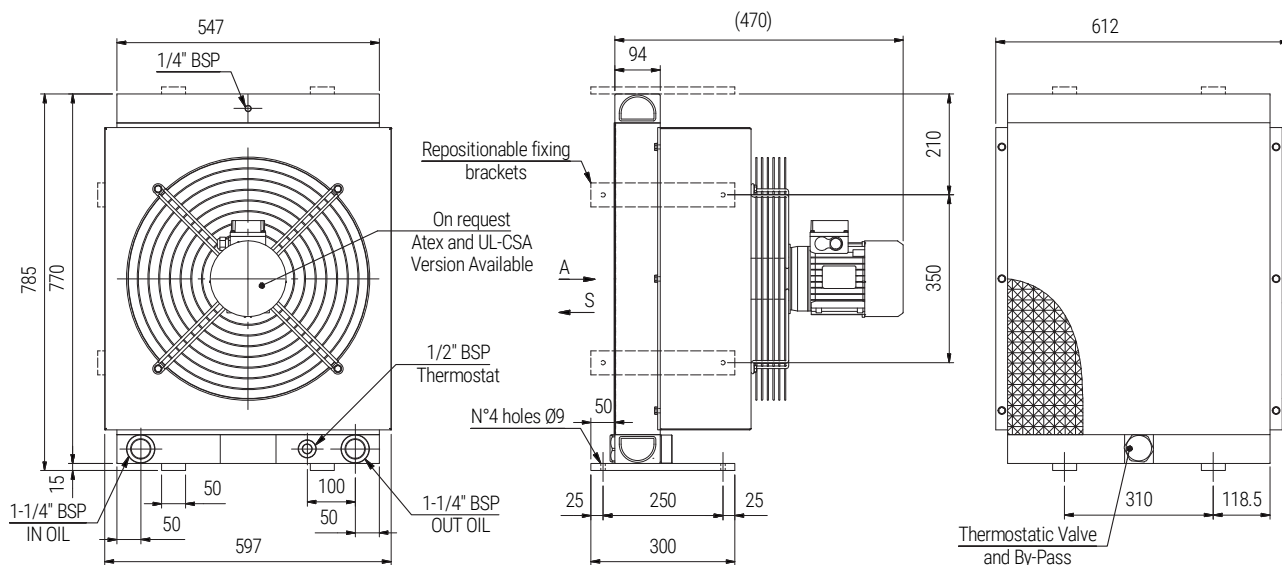
Type	Frequency HZ	Voltage V	RPM	Power KW	Fan Diameter mm	Noise level dB (A)	Air flow rate m ³ /h	Capacity lt	Weight KG	IP
01	50/60	230	1480/1620	0,670/0,800	500	83	6200	9,5	51	54
03	50/60	400	1480/1620	0,100/0,130		83				

PERFORMANCE DIAGRAM

Fluid power handling

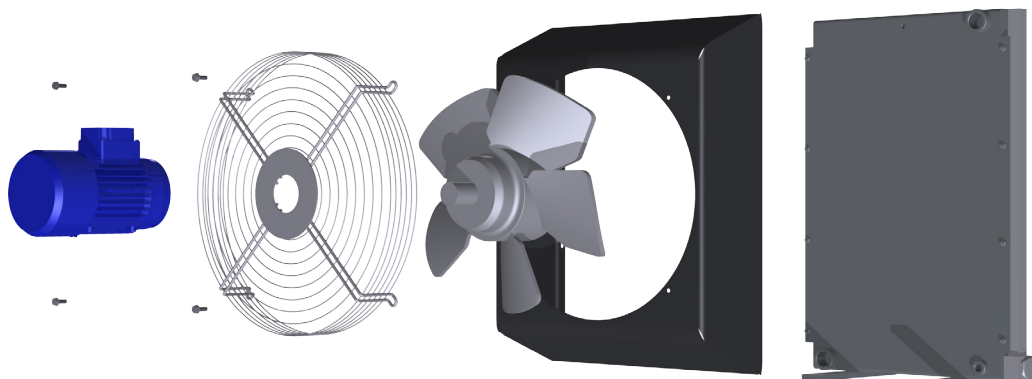
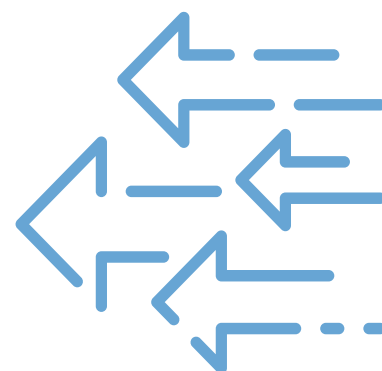
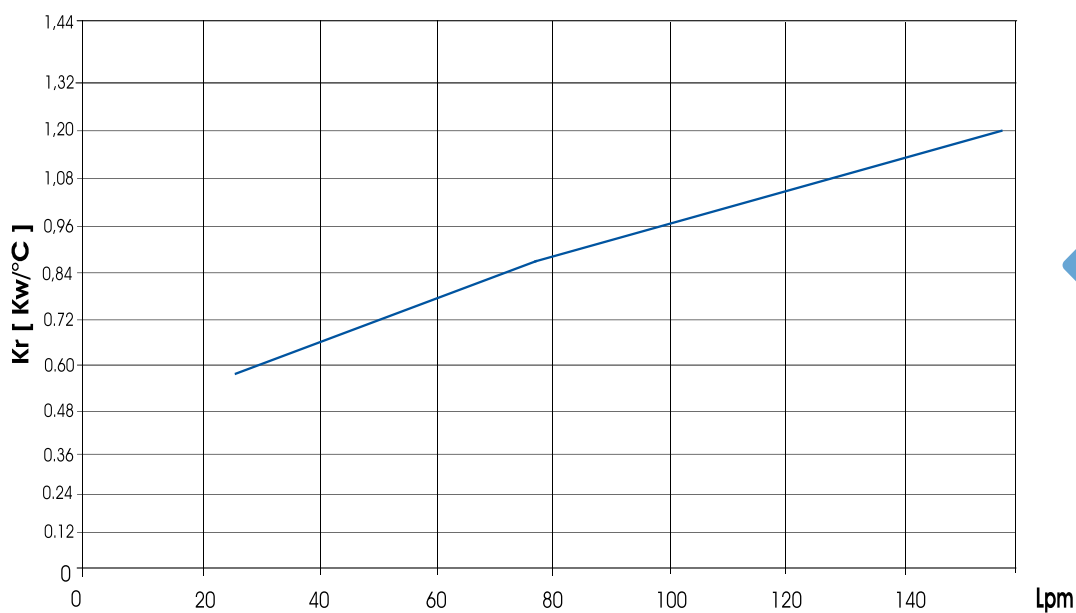


SSPV236.14 (two pass)



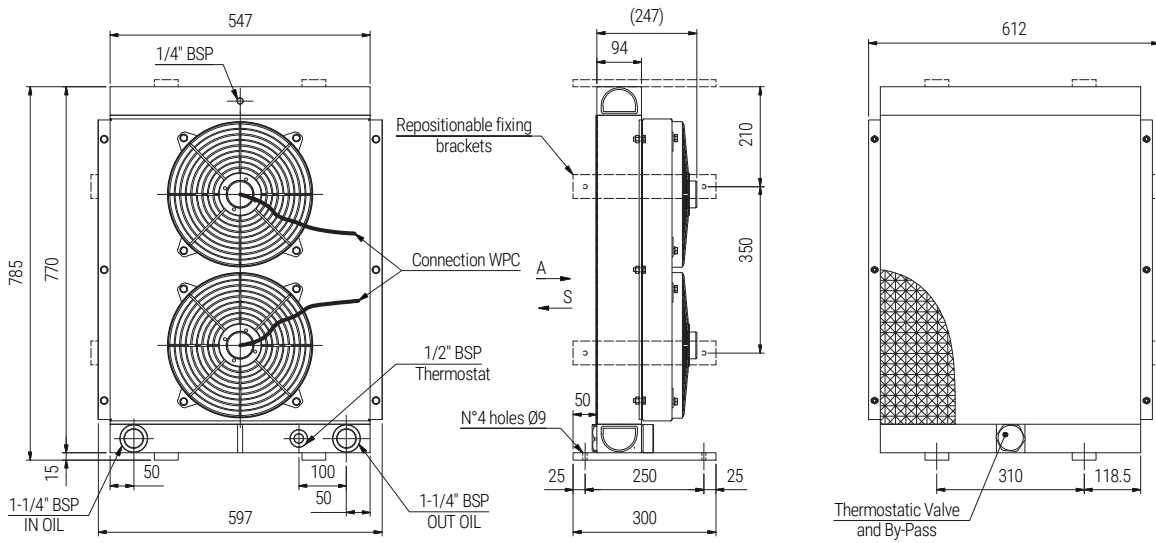
Type	Frequency HZ	Voltage V	RPM	Power KW	Fan Diameter mm	Noise level dB (A)	Air flow rate m ³ /h	Capacity lt	Weight KG	IP
14	50	230/400	1390	1,100	500	83	6100	9,5	59	55
	60	276/480	1685	1,120		84	6300			

PERFORMANCE DIAGRAM



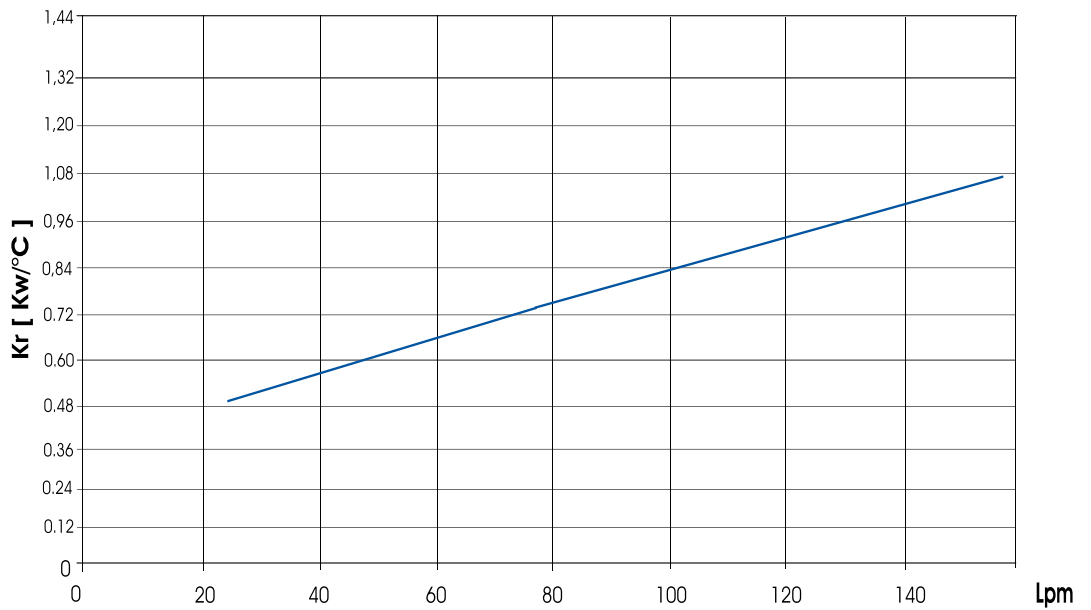
HEAT EXCHANGERS

SSPV236.12 / SSPV236.24 (two pass)

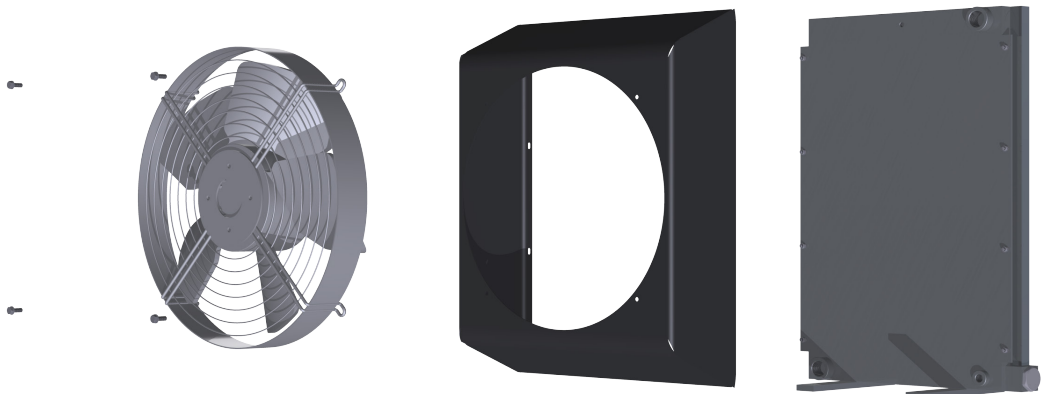


Type	Frequency HZ	Voltage V	RPM	Power KW	Fan Diameter mm	Noise level dB (A)	Air flow rate m ³ /h	Capacity lt	Weight KG	IP
12	DC	12	3090	0,218x2	305	84	5100	9,5	50	68
24		24					5050			

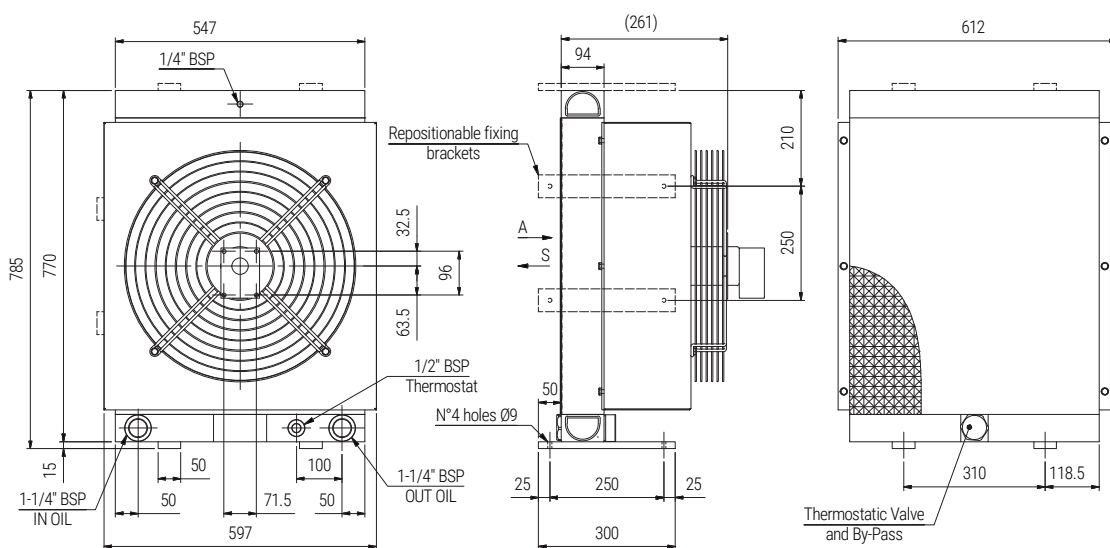
PERFORMANCE DIAGRAM



Fluid power handling

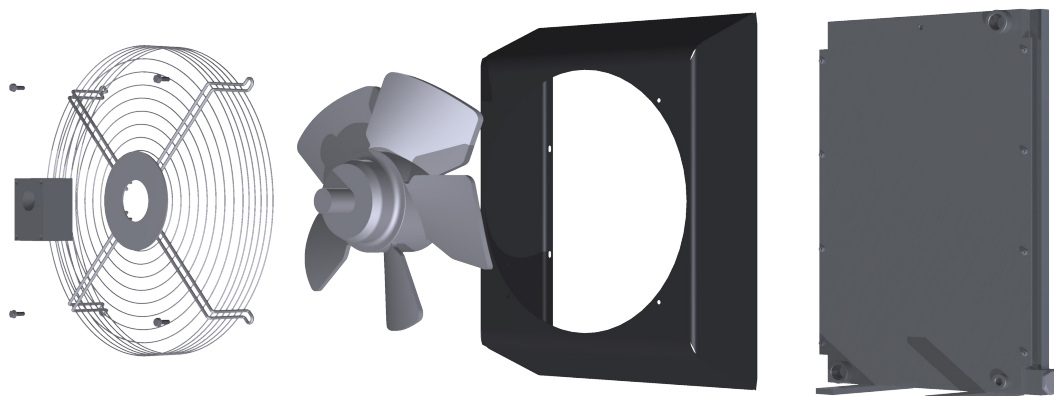
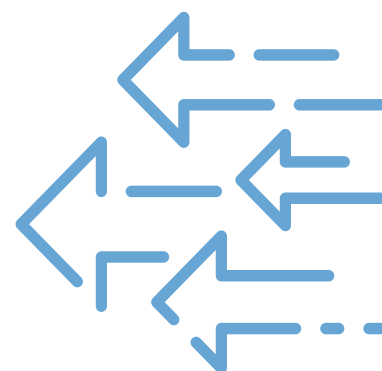
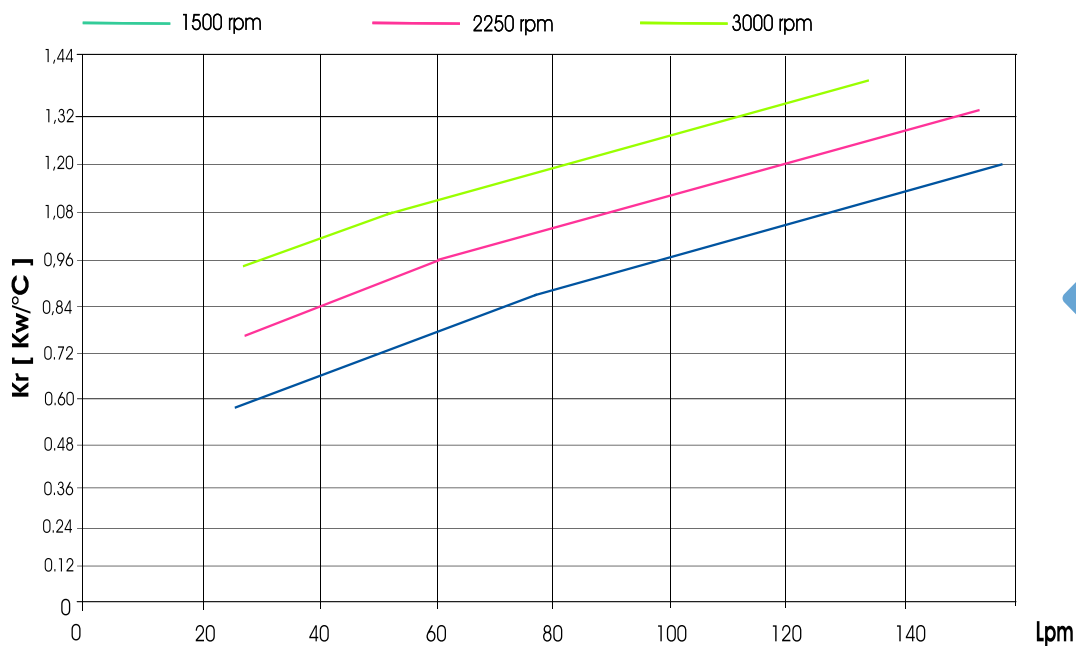


SSPV236.G2 (two pass)



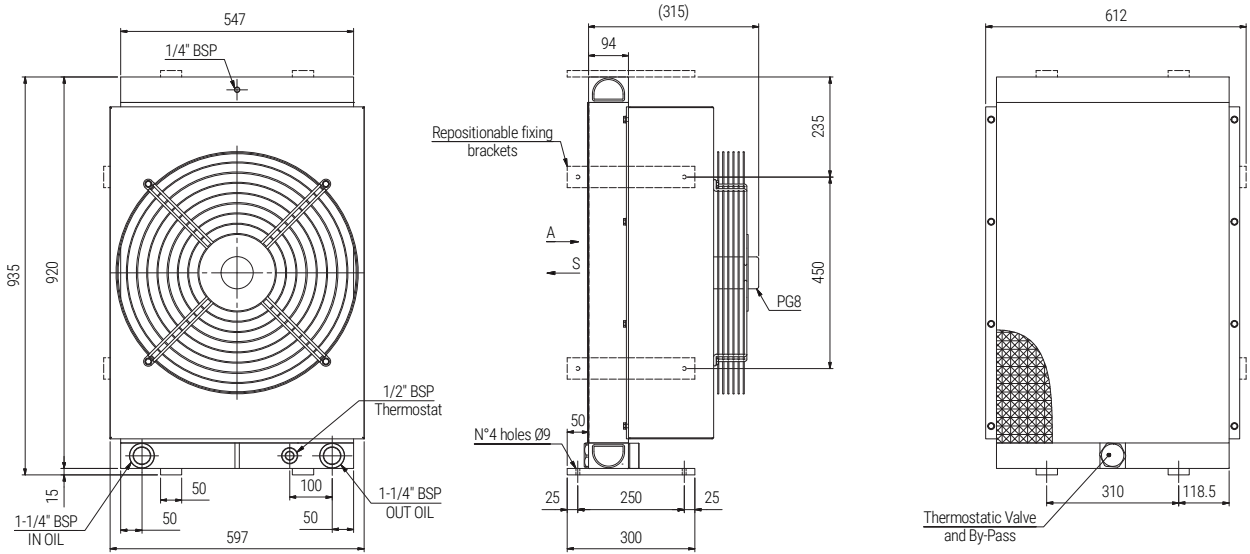
Type	Frequency HZ	Voltage V	RPM	Power KW	Fan Diameter mm	Noise level dB (A)	Air flow rate m ³ /h	Capacity lt	Weight KG	IP
G2			800/3000		500			9,5	52	

PERFORMANCE DIAGRAM



HEAT EXCHANGERS

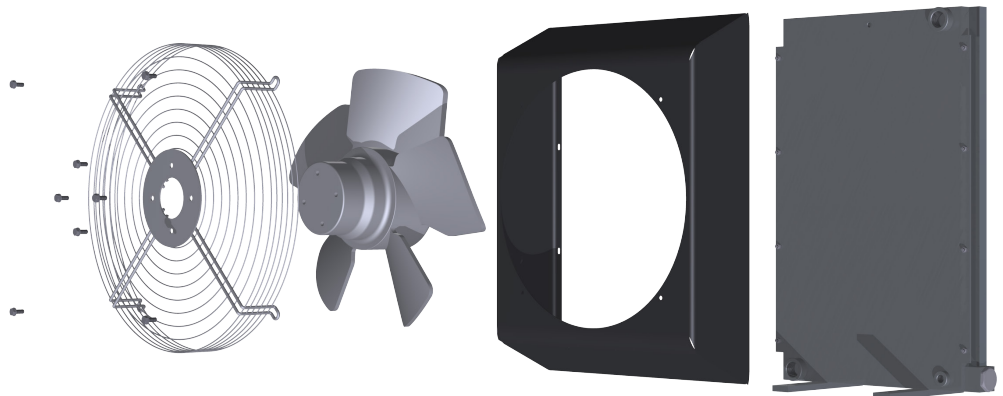
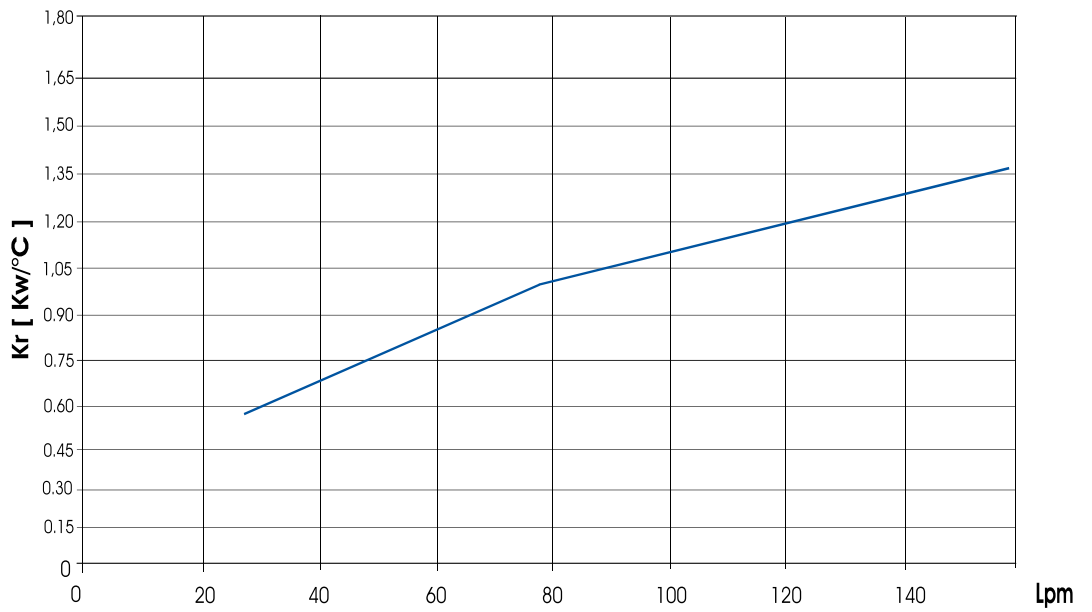
SSPV242.01 / SSPV242.03 (two pass)



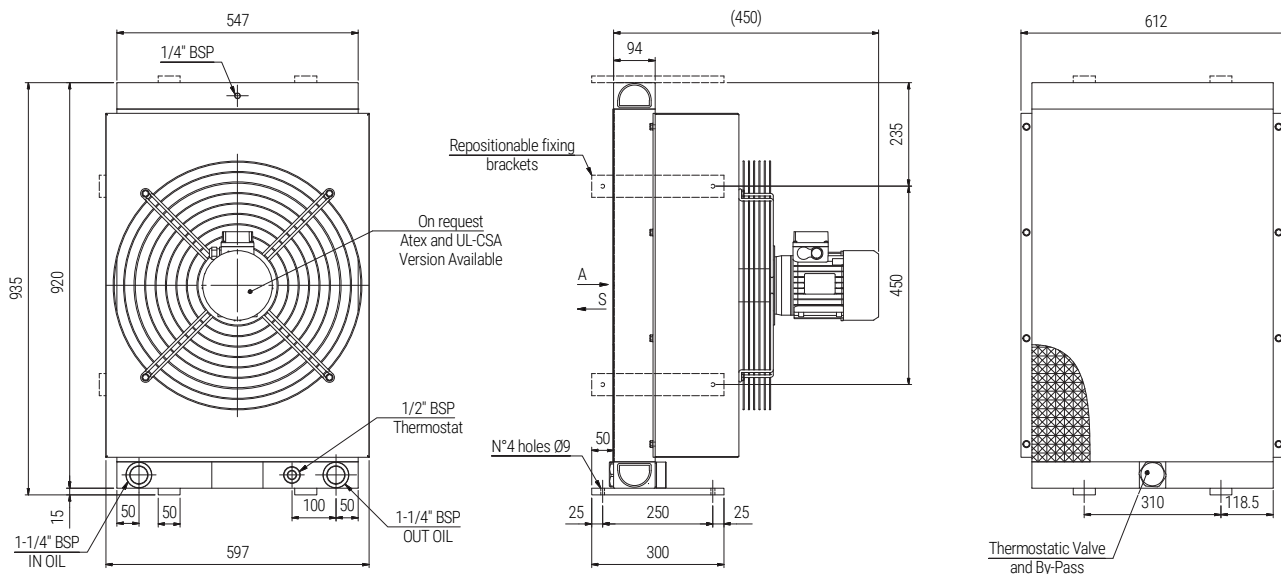
Type	Frequency HZ	Voltage V	RPM	Power KW	Fan Diameter mm	Noise level dB (A)	Air flow rate m ³ /h	Capacity lt	Weight KG	IP
01	50/60	320	1360/1520	0,750/0,980	560	84	7250	10,5	59	54
03	50/60	400	1369/1520	1,07/0,125		84	7250			

PERFORMANCE DIAGRAM

Fluid power handling

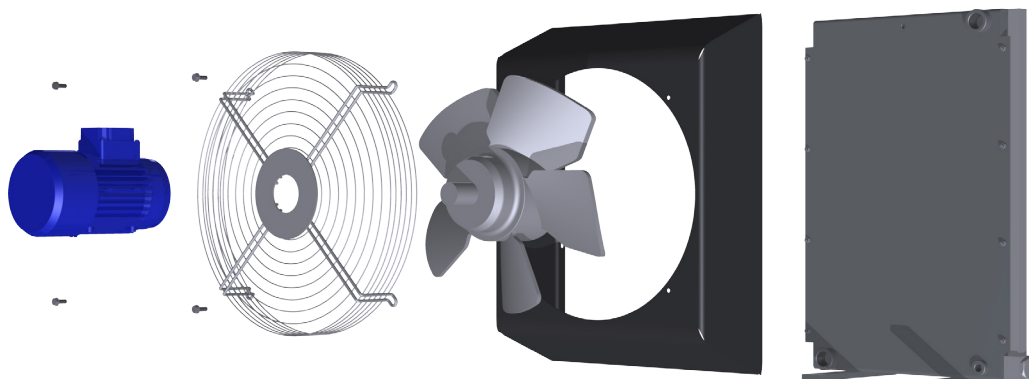
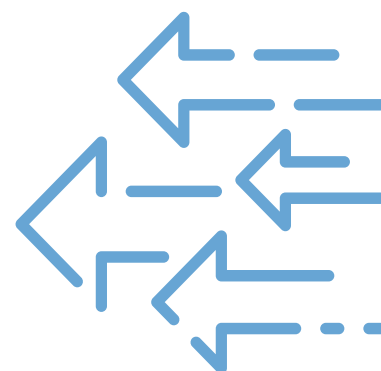
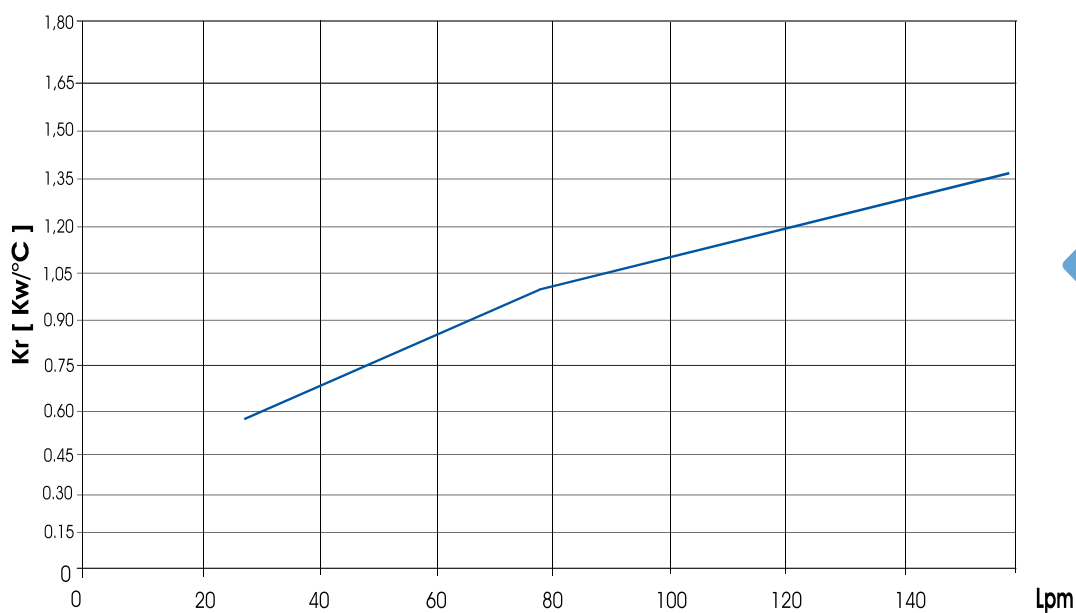


SSPV242.14 (two pass)



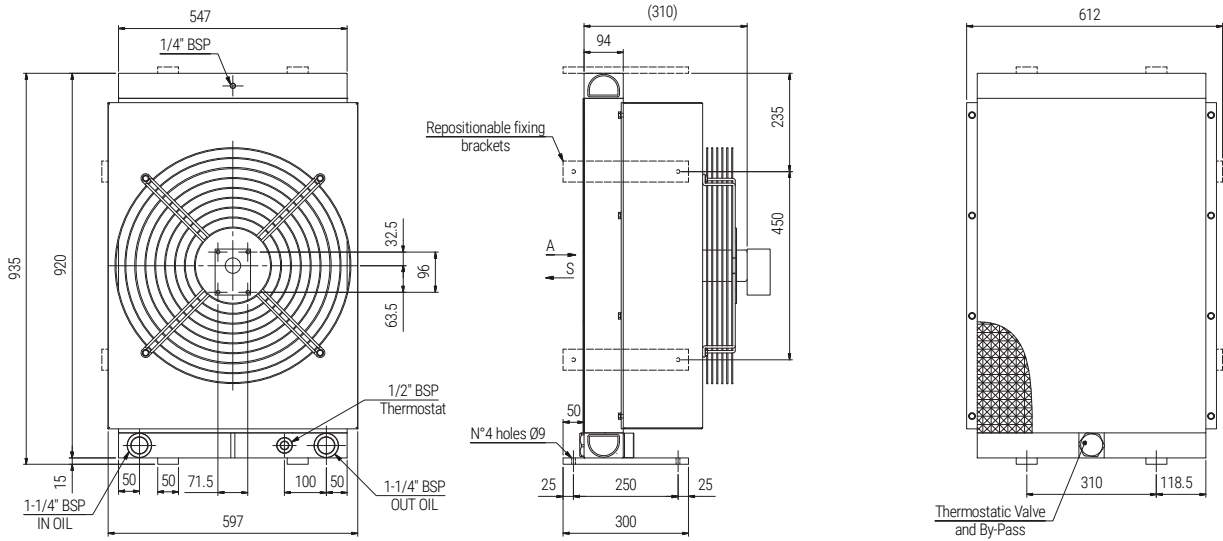
Type	Frequency HZ	Voltage V	RPM	Power KW	Fan Diameter mm	Noise level dB (A)	Air flow rate m ³ /h	Capacity lt	Weight KG	IP
14	50	230/400	1440	1,100	560	83	7500	10,5	64	55
	60	276/480	1730	1,300		84	7500			

PERFORMANCE DIAGRAM



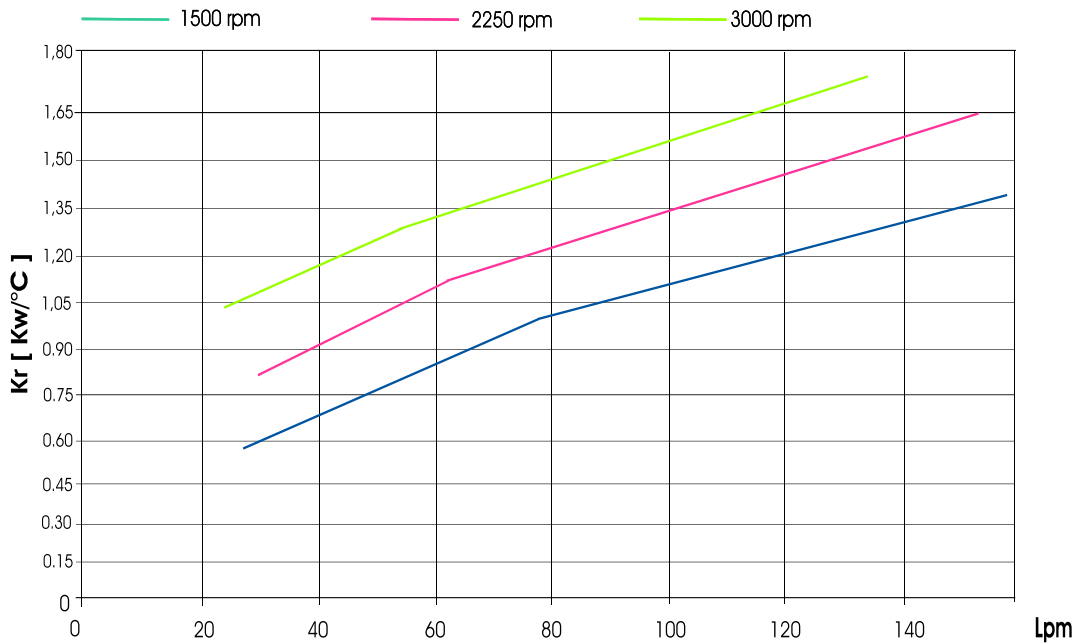
HEAT EXCHANGERS

SSPV242.G2 (two pass)

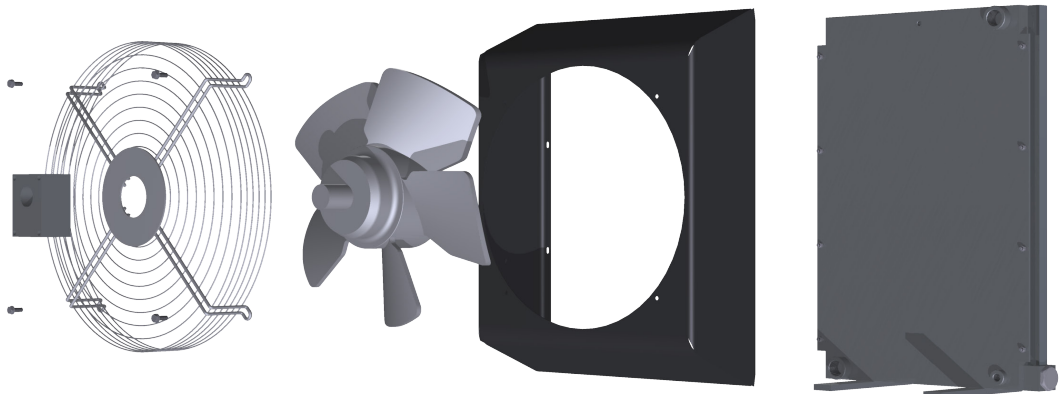


Type	Frequency HZ	Voltage V	RPM	Power KW	Fan Diameter mm	Noise level dB (A)	Air flow rate m ³ /h	Capacity lt	Weight KG	IP
G2			800/3000		560			10,5	60	

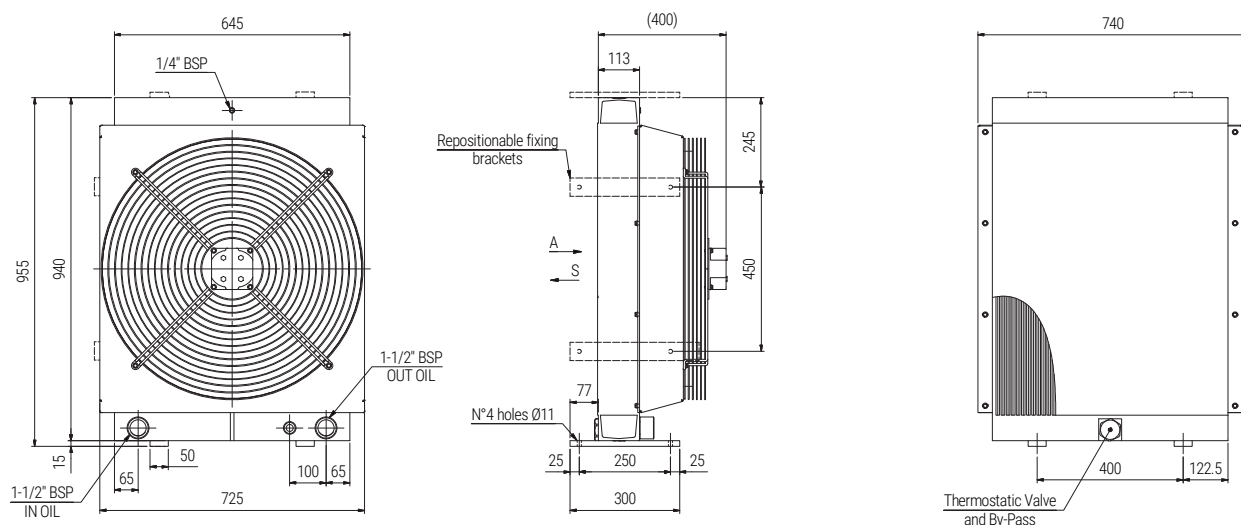
PERFORMANCE DIAGRAM



Fluid power handling

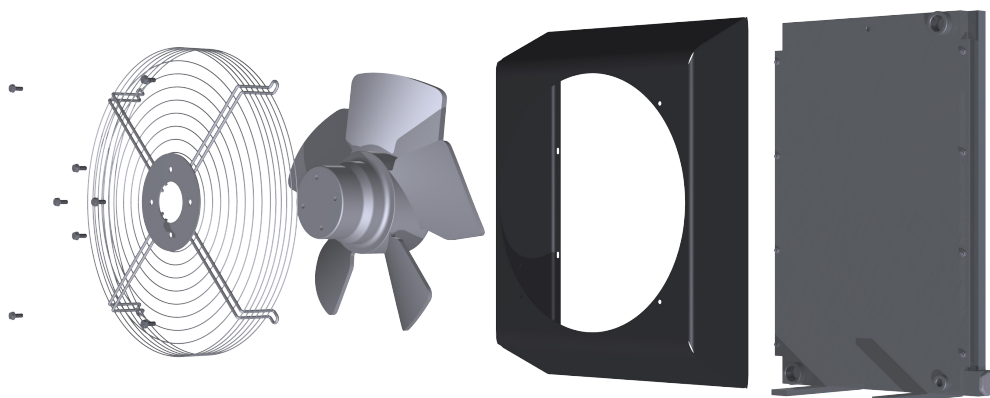
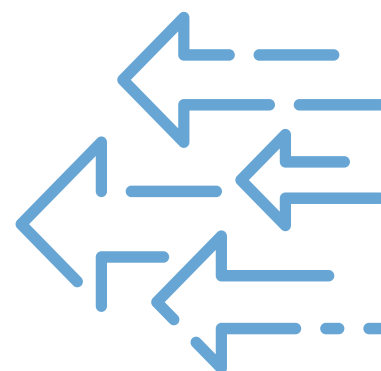
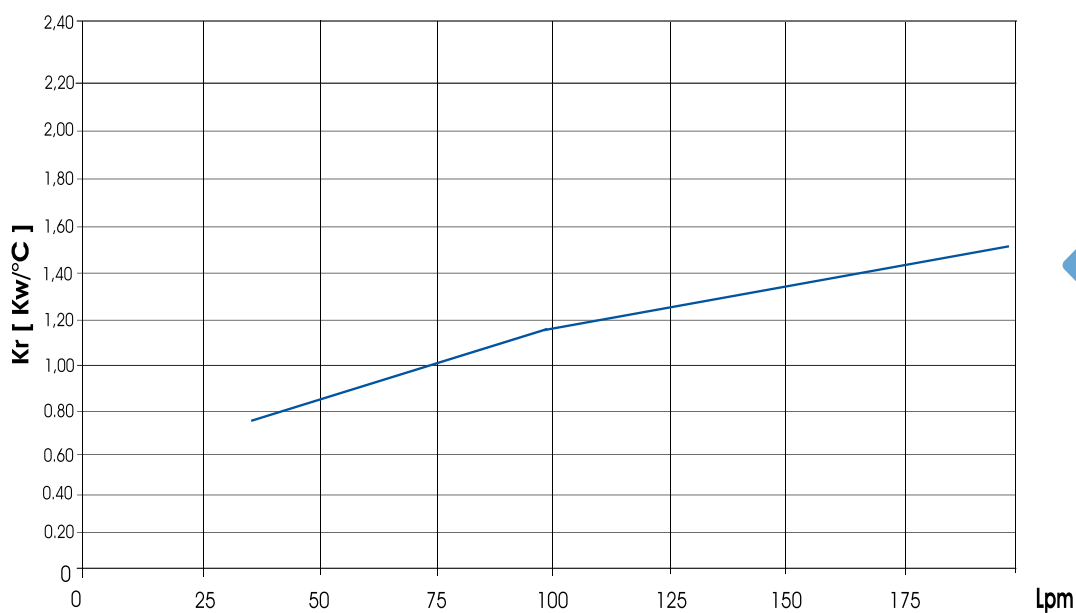


SSPV250.01 / SSPV250.03 (two pass)



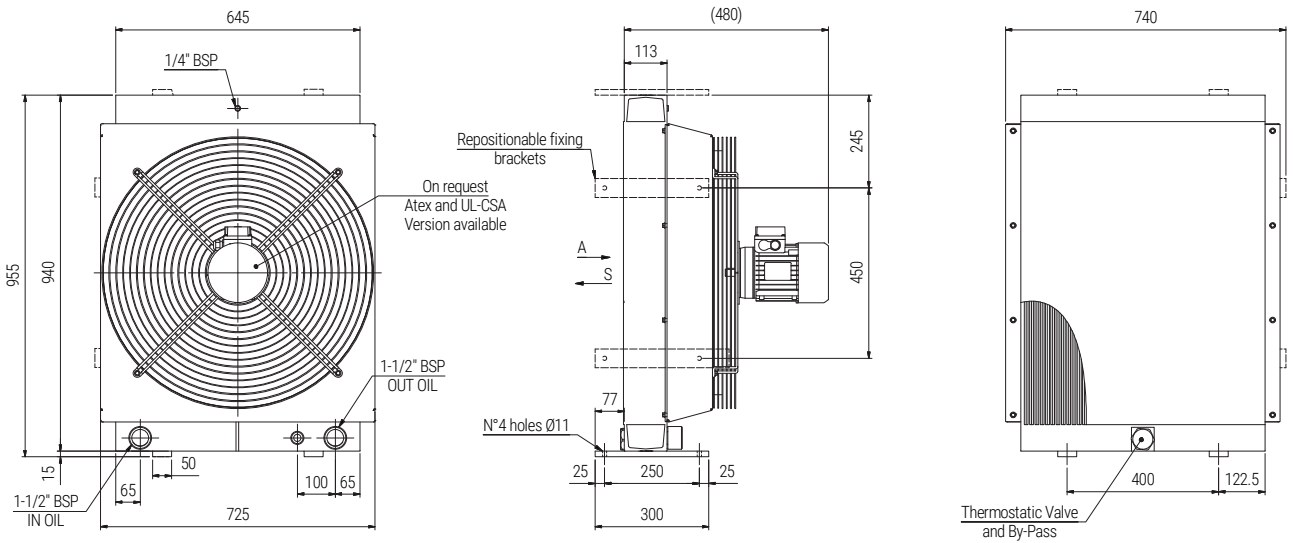
Type	Frequency HZ	Voltage V	RPM	Power KW	Fan Diameter mm	Noise level dB (A)	Air flow rate m ³ /h	Capacity lt	Weight KG	IP
01	50/60	230	910/1050	0.750/0.980	630	82	7900	14	90	54
03	50/60	400	910/1050	0.700/0.930		82	7950			

PERFORMANCE DIAGRAM



HEAT EXCHANGERS

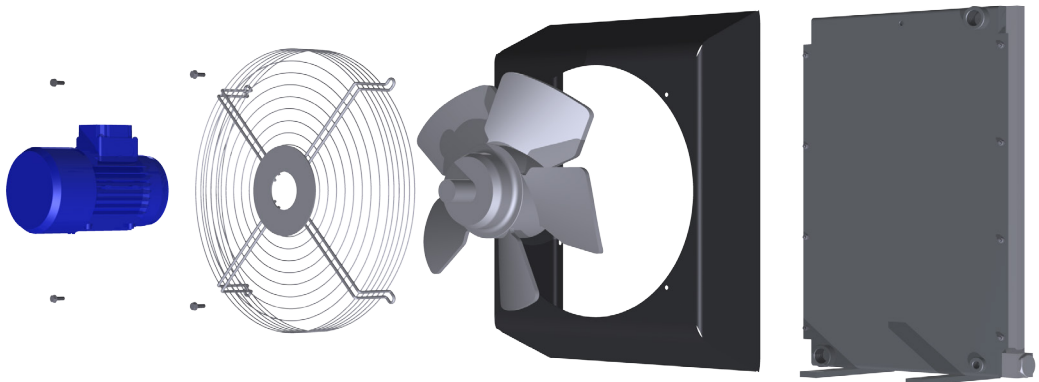
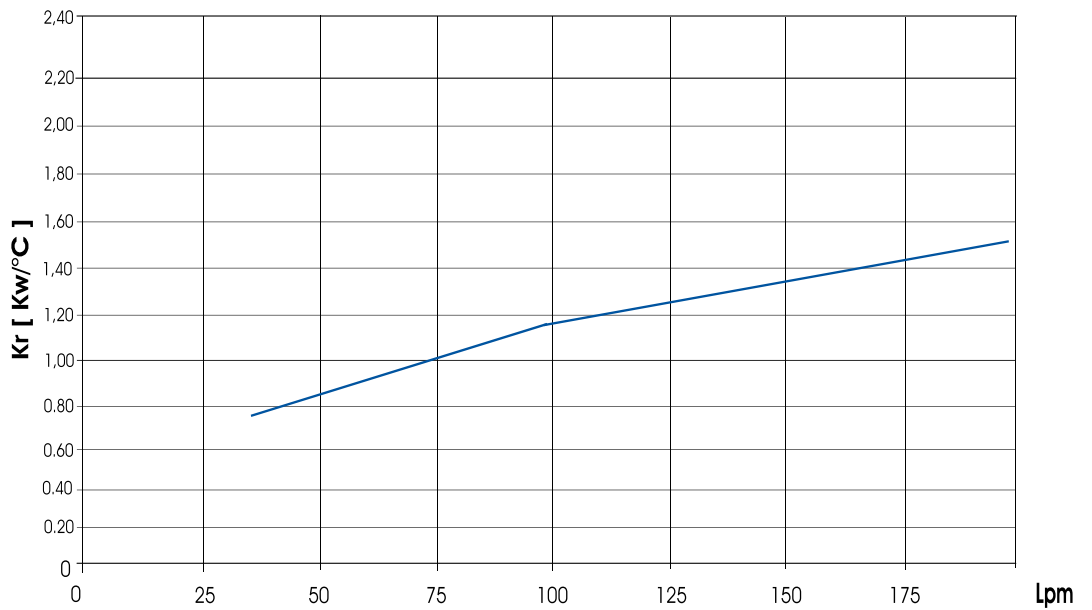
SSPV250.14 (two pass)



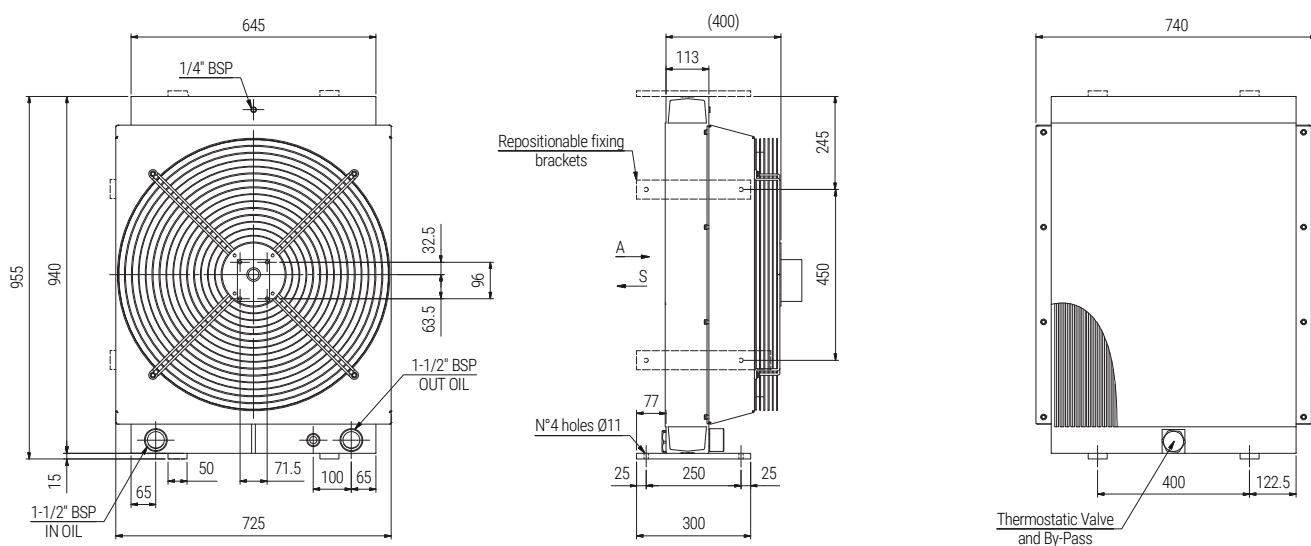
Type	Frequency HZ	Voltage V	RPM	Power KW	Fan Diameter mm	Noise level dB (A)	Air flow rate m ³ /h	Capacity lt	Weight KG	IP
14	50	230/400	840	1,100	630	88	7900	14	90	55
	60	276/480	1125	1,300		88	8100			

PERFORMANCE DIAGRAM

Fluid power handling

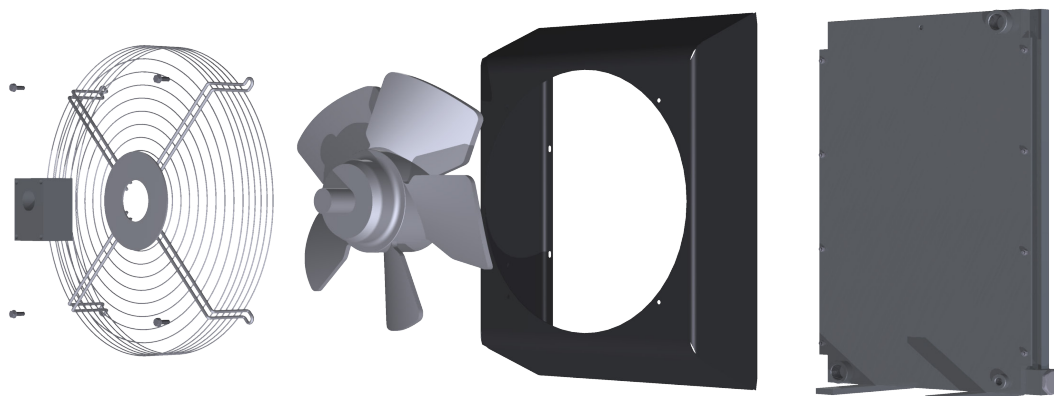
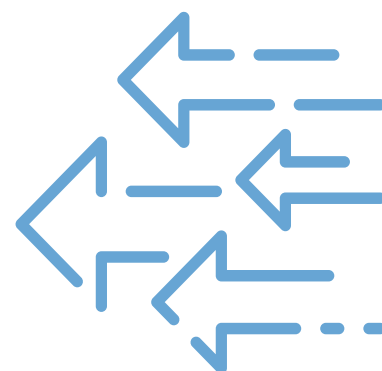
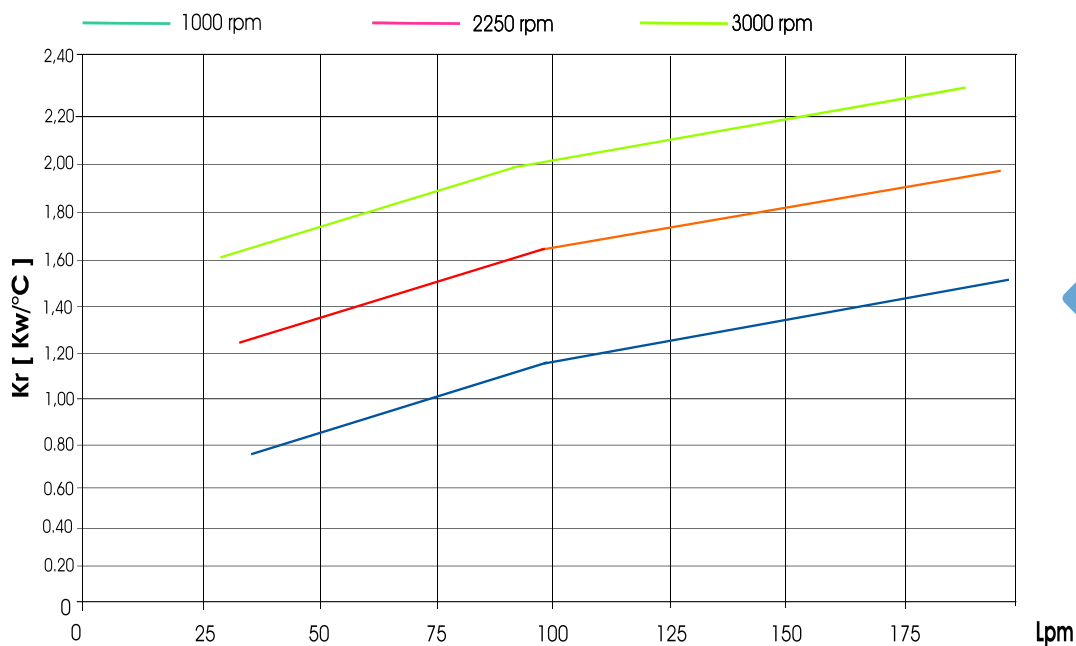


SSPV250.G2 (two pass)



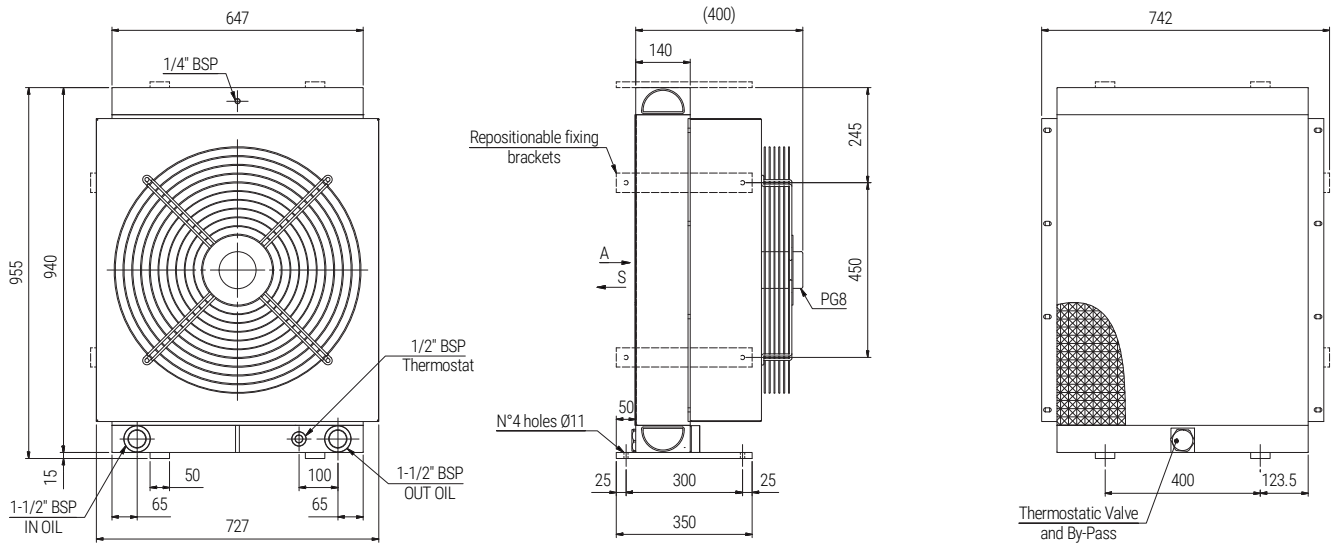
Type	Frequency HZ	Voltage V	RPM	Power KW	Fan Diameter mm	Noise level dB (A)	Air flow rate m ³ /h	Capacity lt	Weight KG	IP
G2			800/2800		630			14	90	

PERFORMANCE DIAGRAM



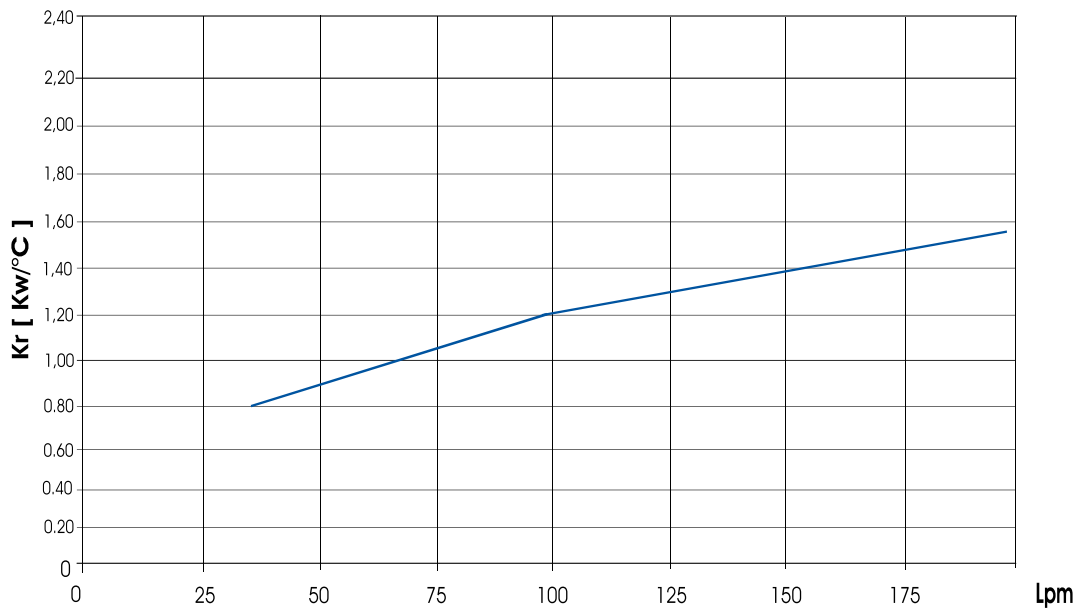
HEAT EXCHANGERS

SSPV252.01 / SSPV252.03 (two pass)

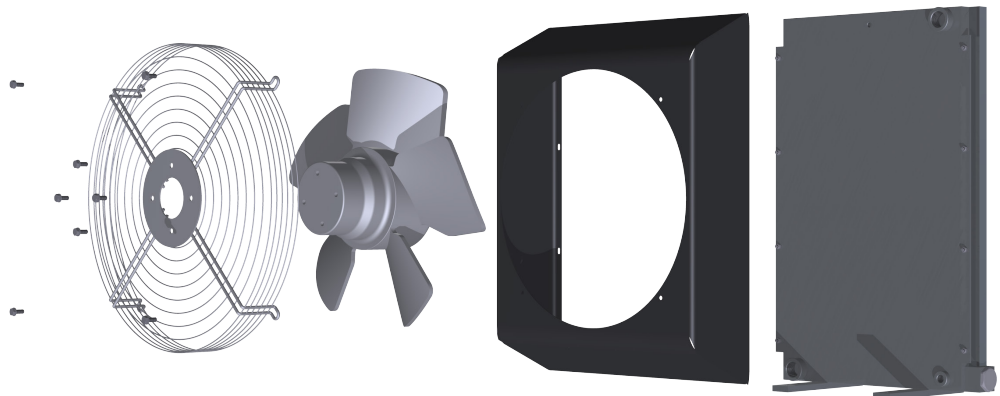


Type	Frequency HZ	Voltage V	RPM	Power KW	Fan Diameter mm	Noise level dB (A)	Air flow rate m ³ /h	Capacity lt	Weight KG	IP
01	50/60	230	910/1050	0.750/0.980	630	82	7900	17,5	96	54
03	50/60	400	910/1050	0.700/0.930		82	7950			

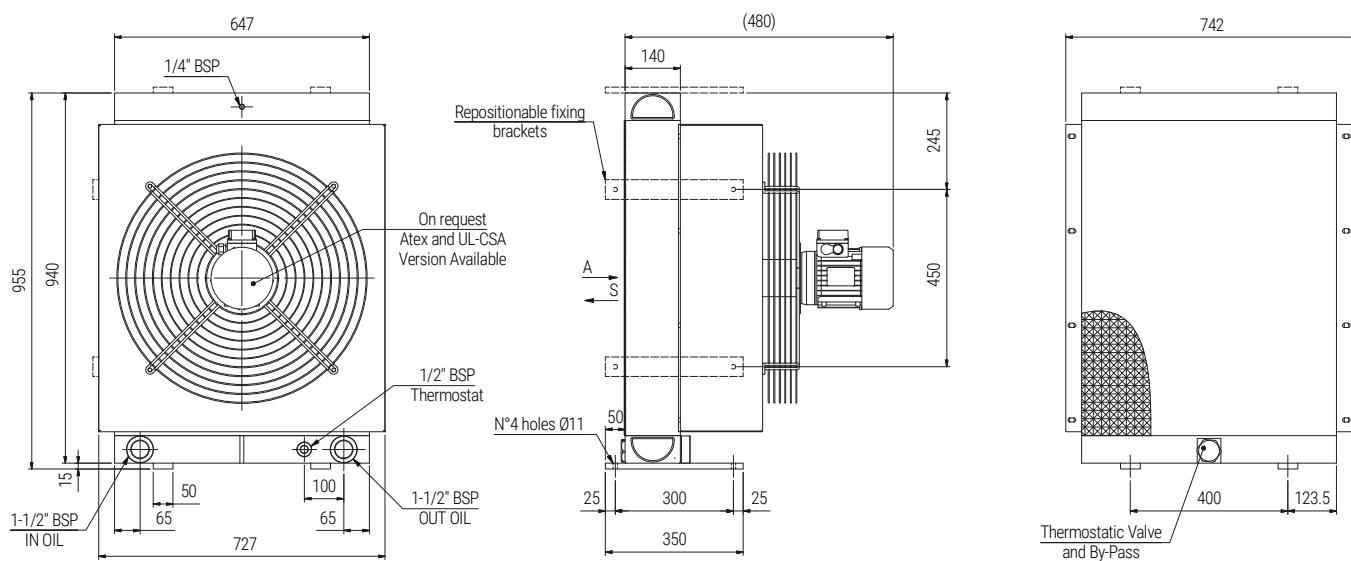
PERFORMANCE DIAGRAM



Fluid power handling

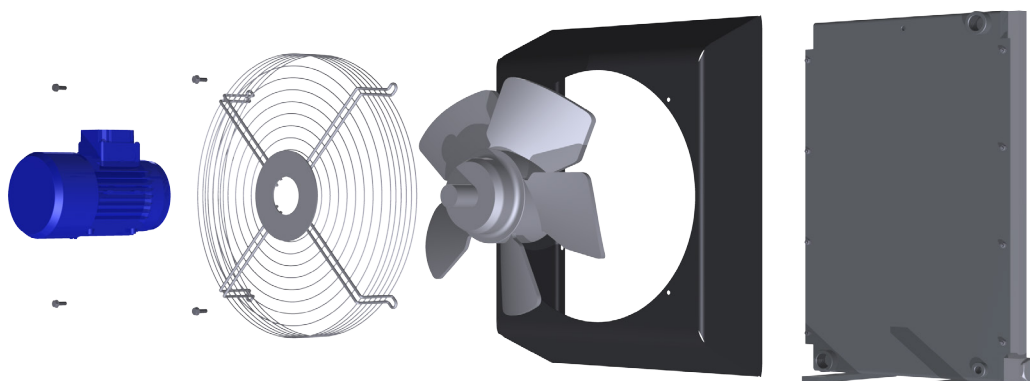
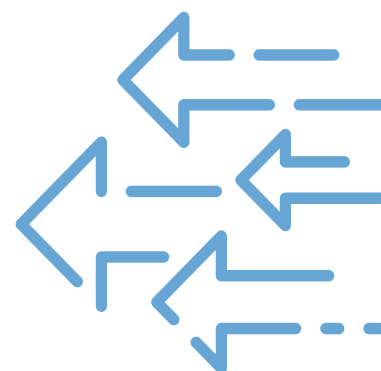
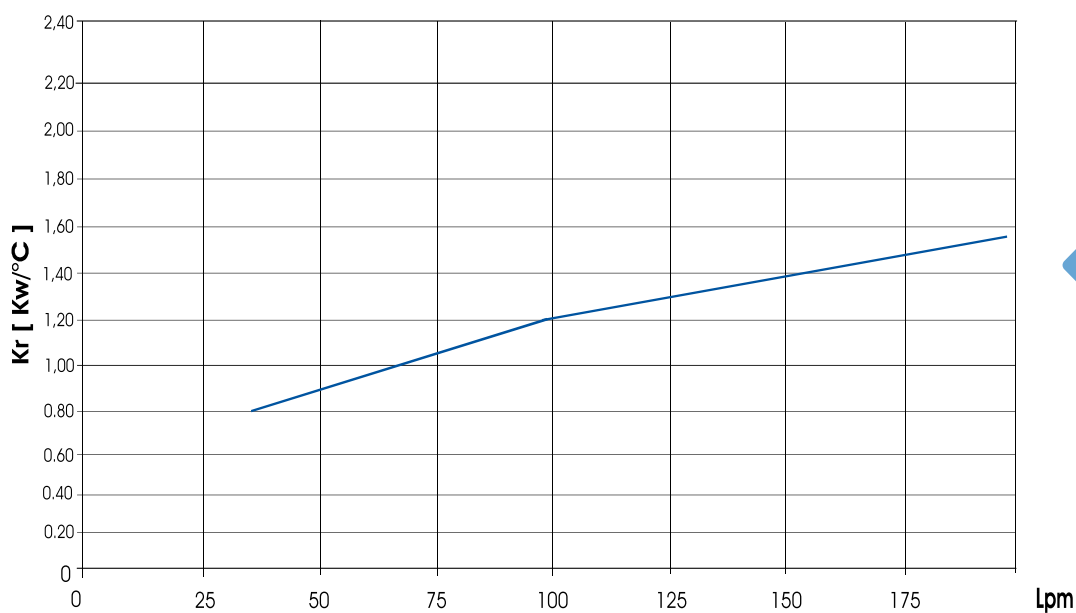


SSPV252.14 (two pass)



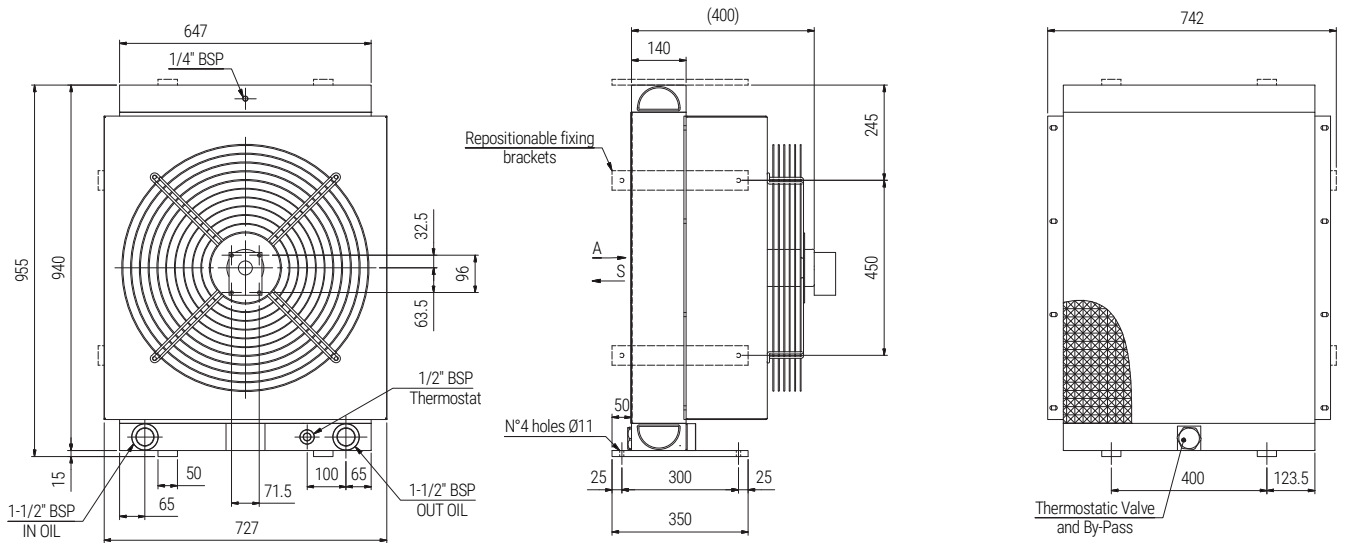
Type	Frequency HZ	Voltage V	RPM	Power KW	Fan Diameter mm	Noise level dB (A)	Air flow rate m ³ /h	Capacity lt	Weight KG	IP
14	50	230/400	840	1,100	630	88	7900	17,5	98	55
	60	276/480	1125	1,300		88	8100			

PERFORMANCE DIAGRAM



HEAT EXCHANGERS

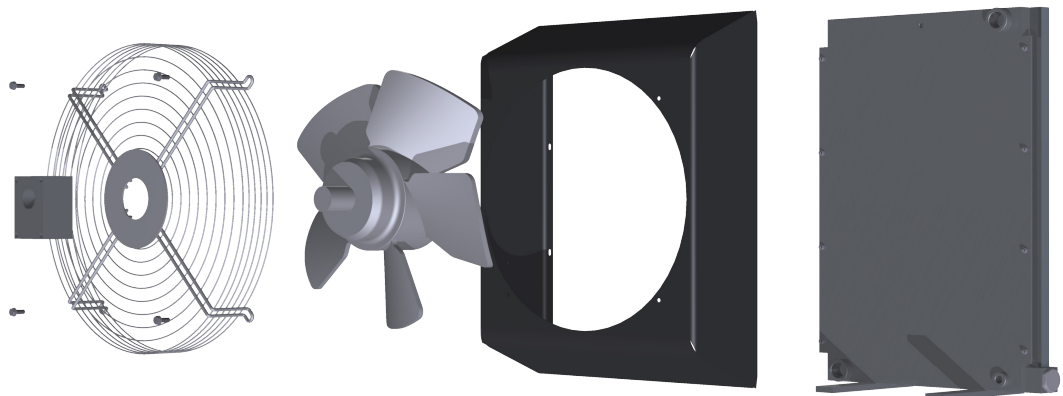
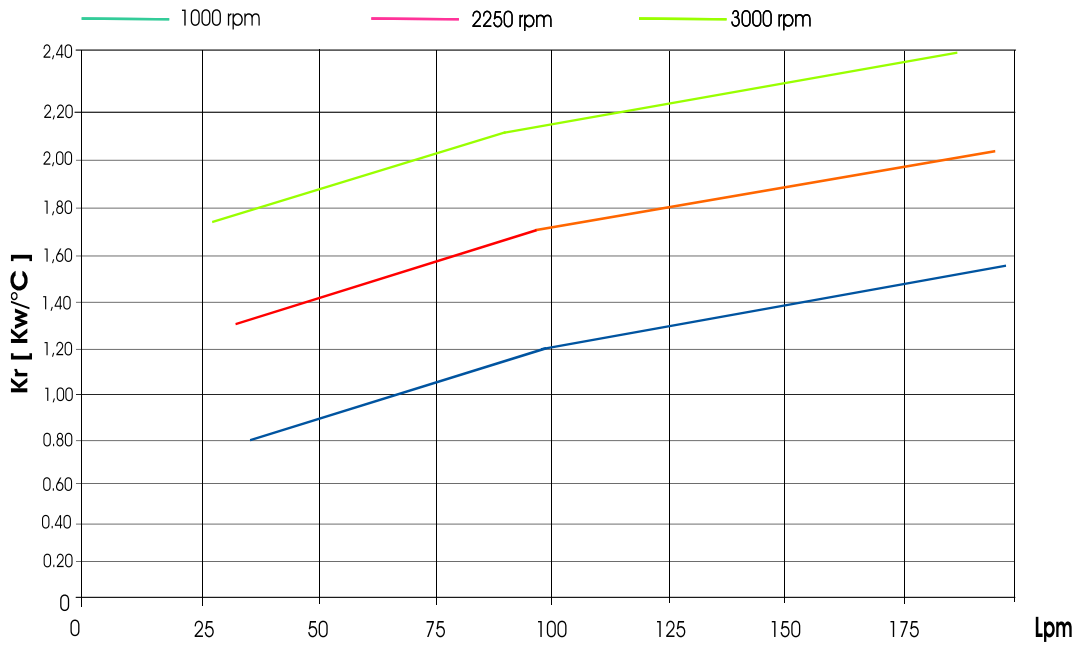
SSPV252.G2 (two pass)



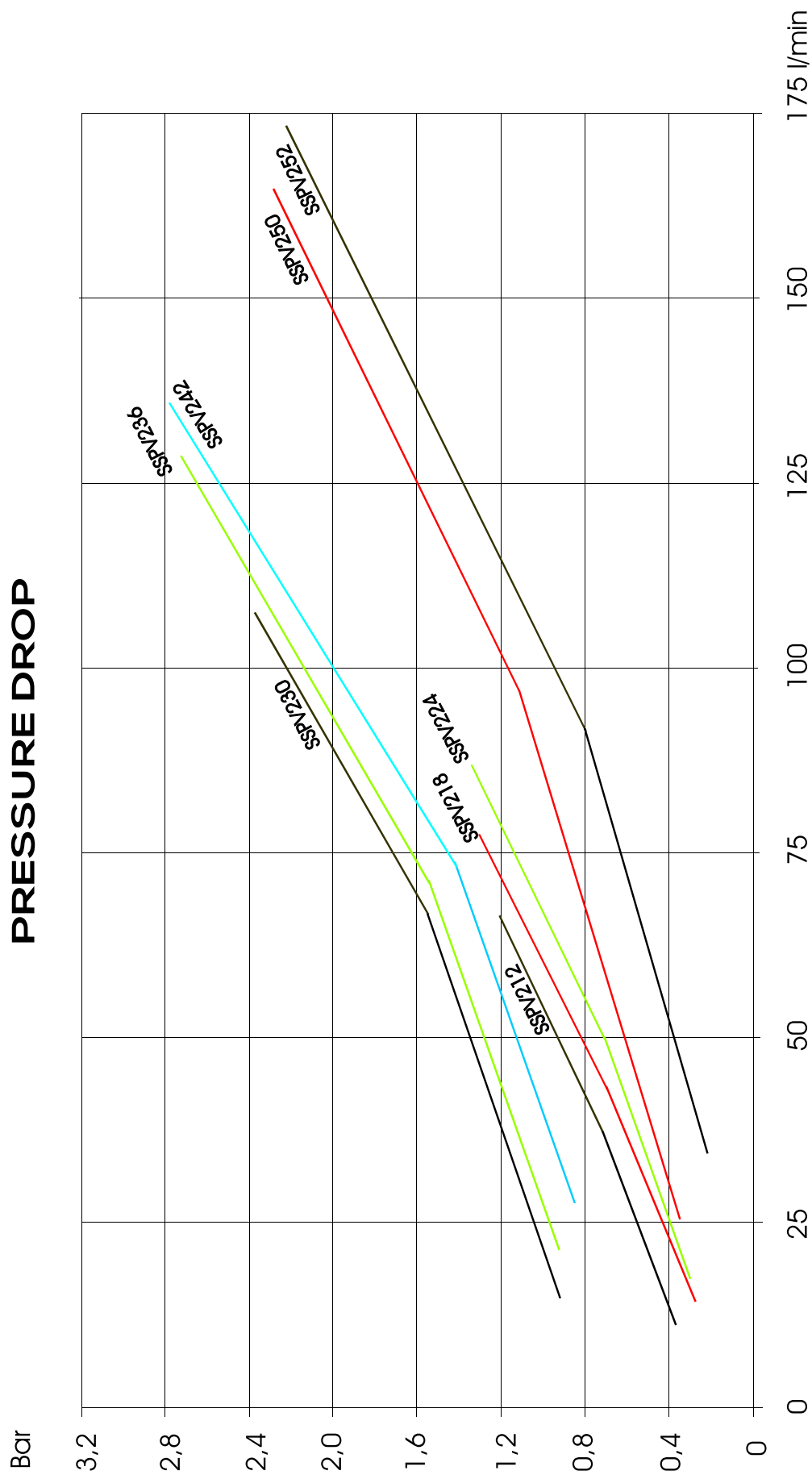
Type	Frequency HZ	Voltage V	RPM	Power KW	Fan Diameter mm	Noise level dB (A)	Air flow rate m ³ /h	Capacity lt	Weight KG	IP
G2			800/2800		630			17,5	95	

Fluid power handling

PERFORMANCE DIAGRAM



PRESSURE DROP

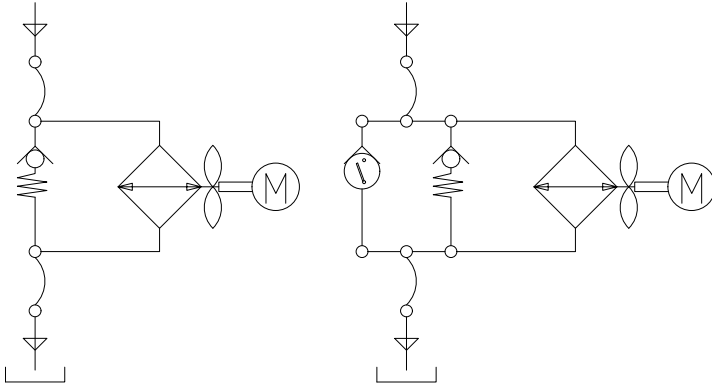


In order different viscosity, please multiply temp.x correction factor

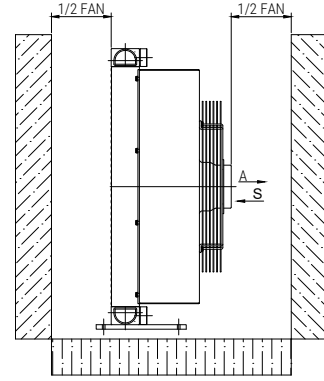
CST	10	15	20	30	40	50	60	80	100	200	300
C	0,5	0,65	0,75	1,0	1,2	1,4	1,6	1,9	2,1	3,4	4,3

SCHEME

SCHEME N°1



SCHEME N°2



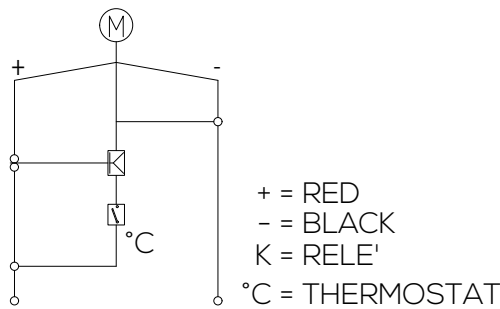
ATTENTION > THE SSPV VERSION, CAN BE PROVIDED AS FOLLOWS :

- > Complete with the thermostatic valve and by-pass
- > With only by-pass element
- > With only thermostatic valve element

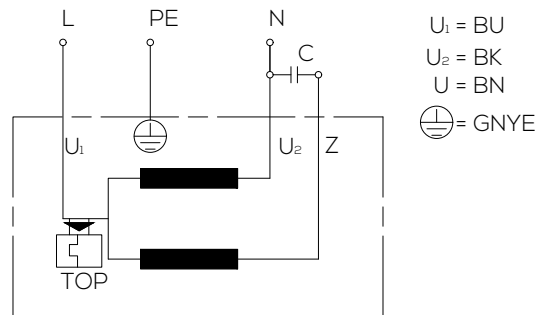
Fluid power handling

SCHEME N°3

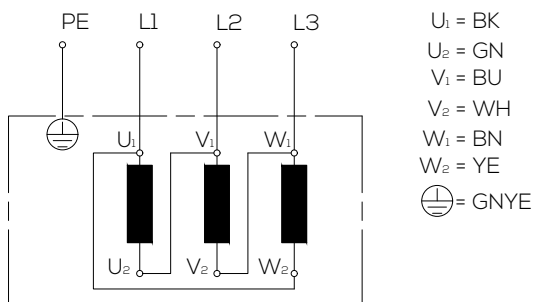
CONNECTION 12-24V DC



CONNECTION 230V MONOPHASE



CONNECTION DELTA (3~ 230 VAC)



CONNECTION STAR (3~ 400 VAC)

